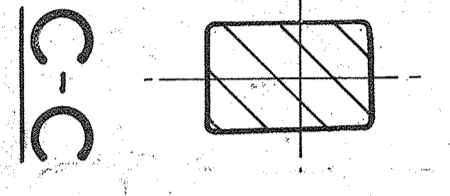
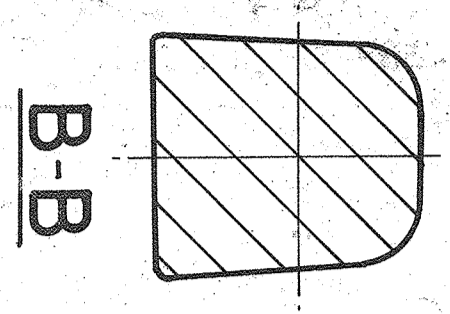
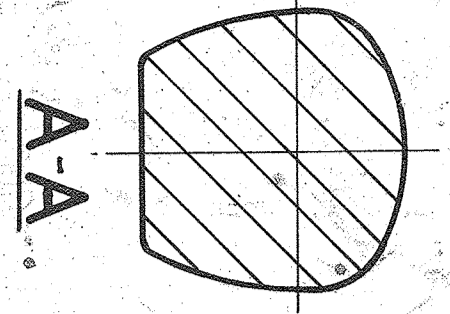
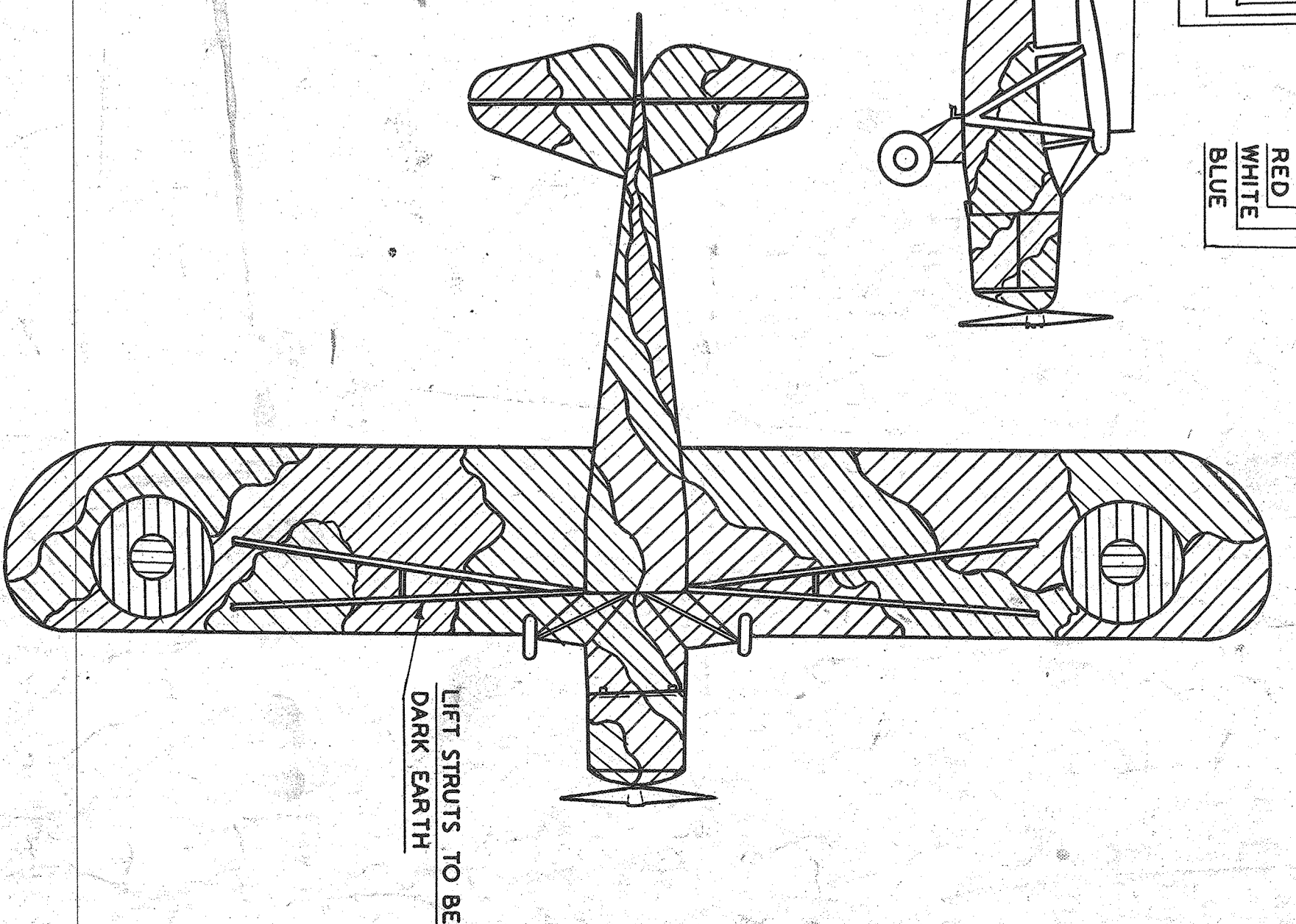
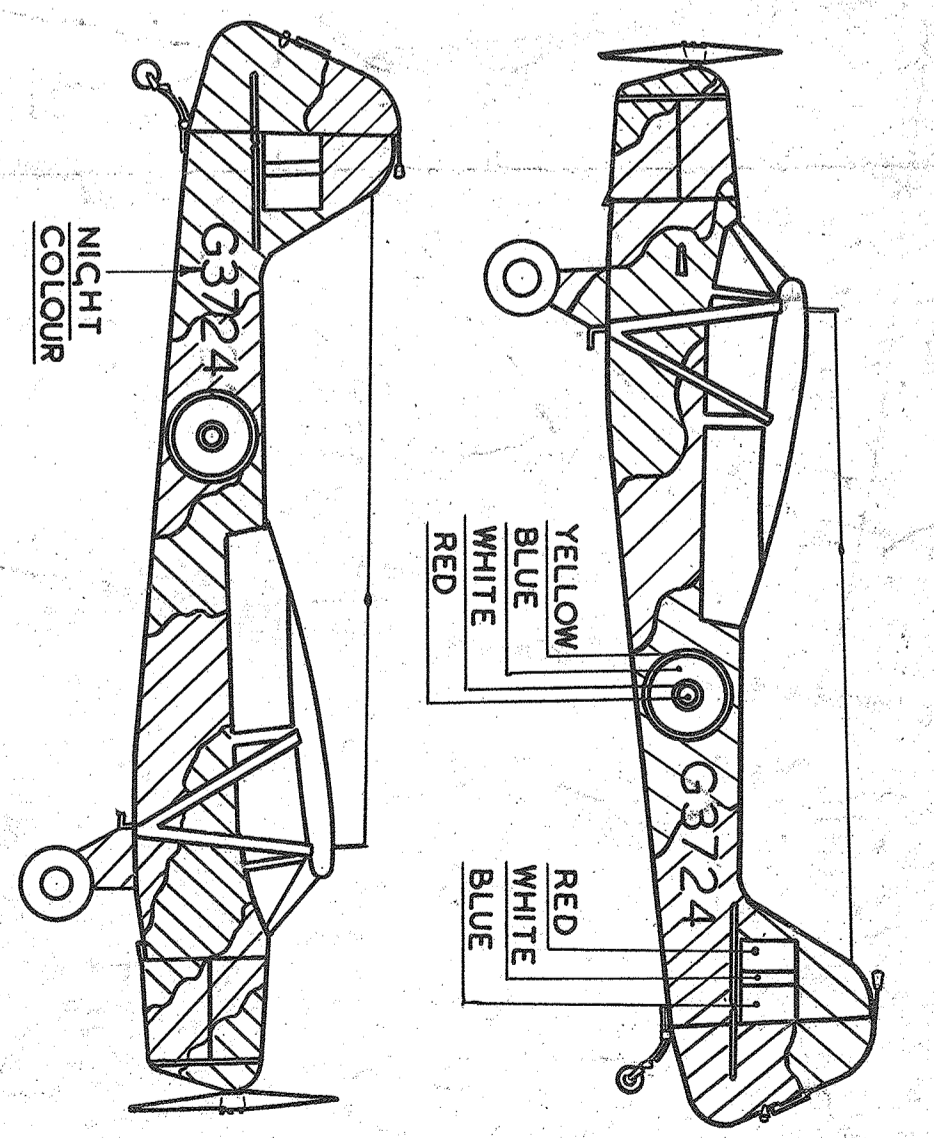
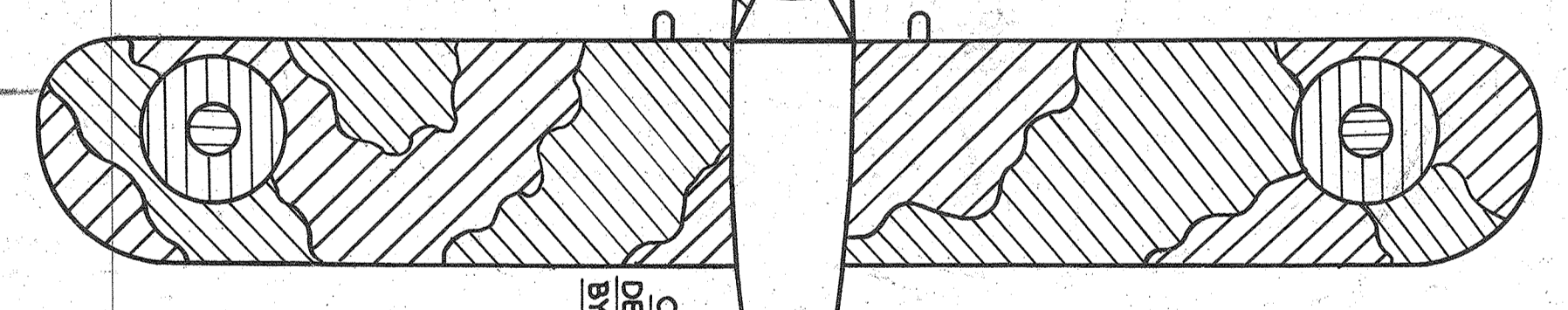
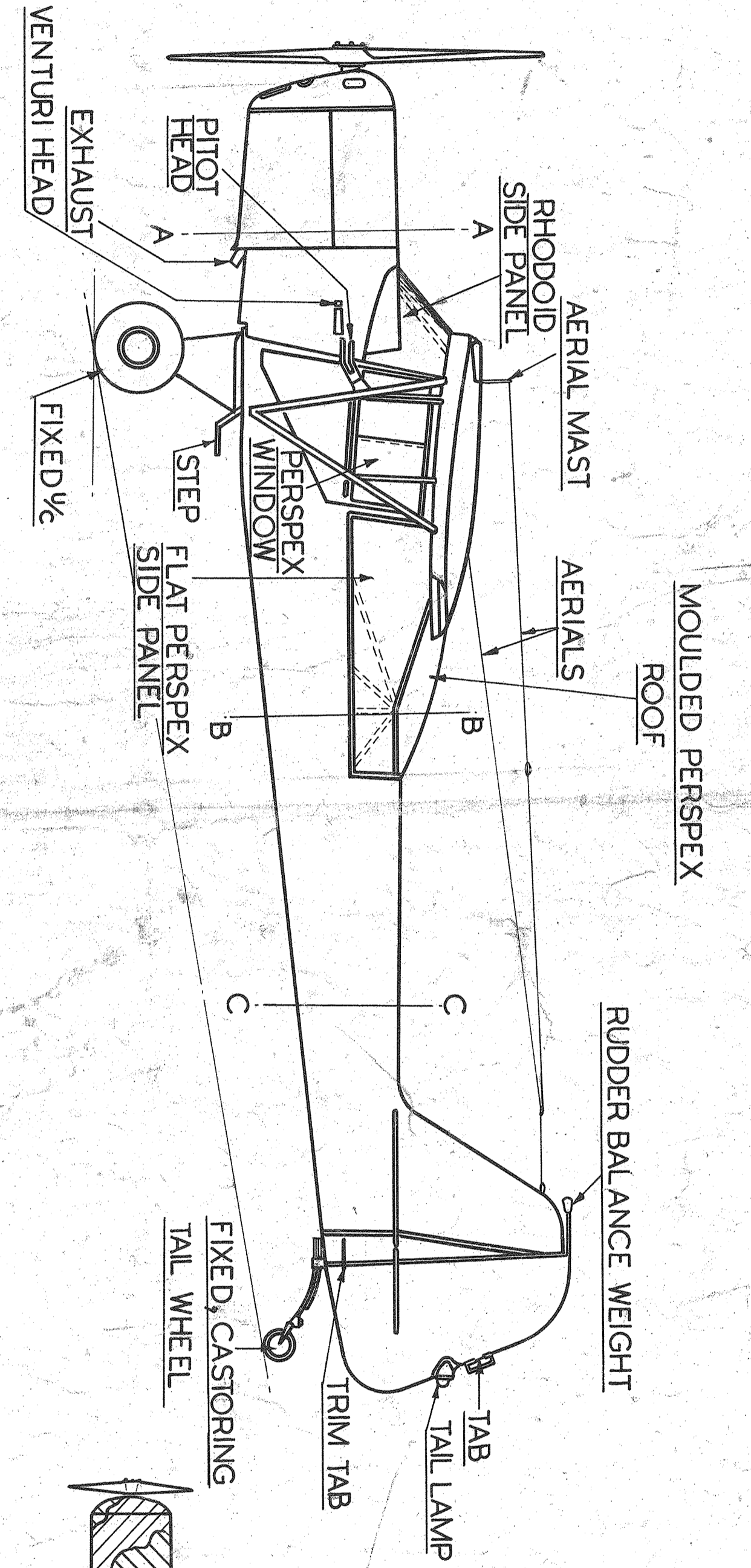
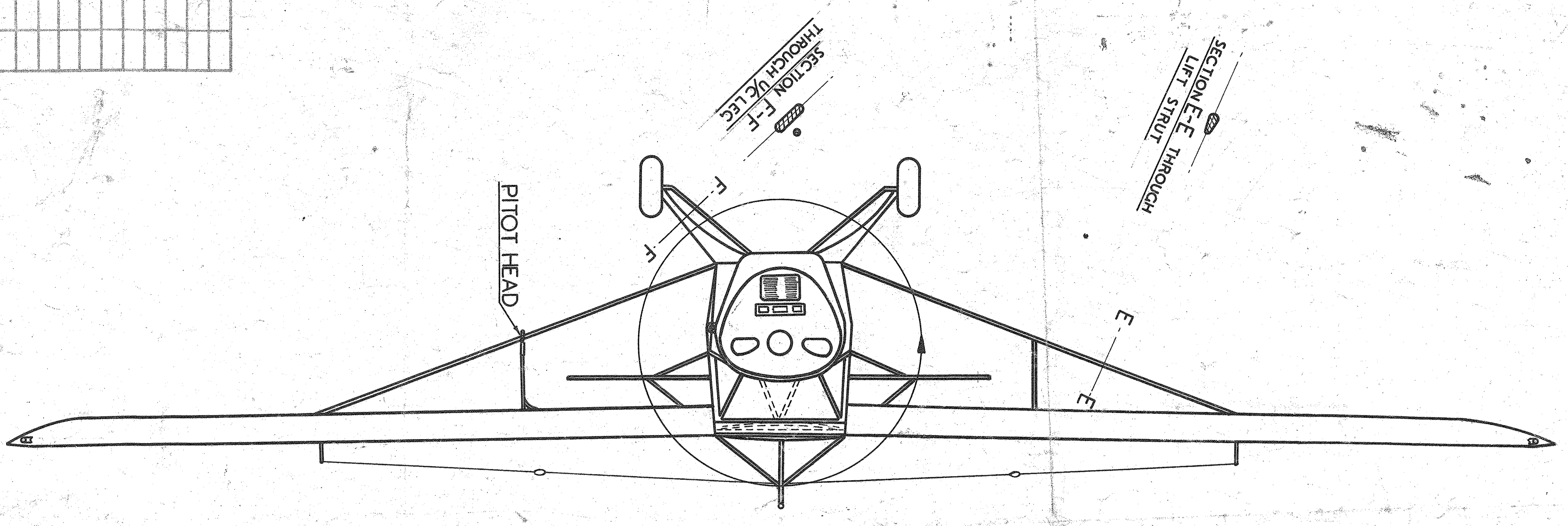


1. 0.01 NET SCALE DRAWING
 2. USED UNLESS OTHERWISE
 STATED.
 3. DIMENSIONS ARE IN INCHES
 UNLESS OTHERWISE STATED.
 4. DIMENSIONS ABOUT THIS
 DRAWING ARE TO BE TAKEN FROM
 OPERATIONAL DRAWINGS
 UNLESS OTHERWISE STATED.

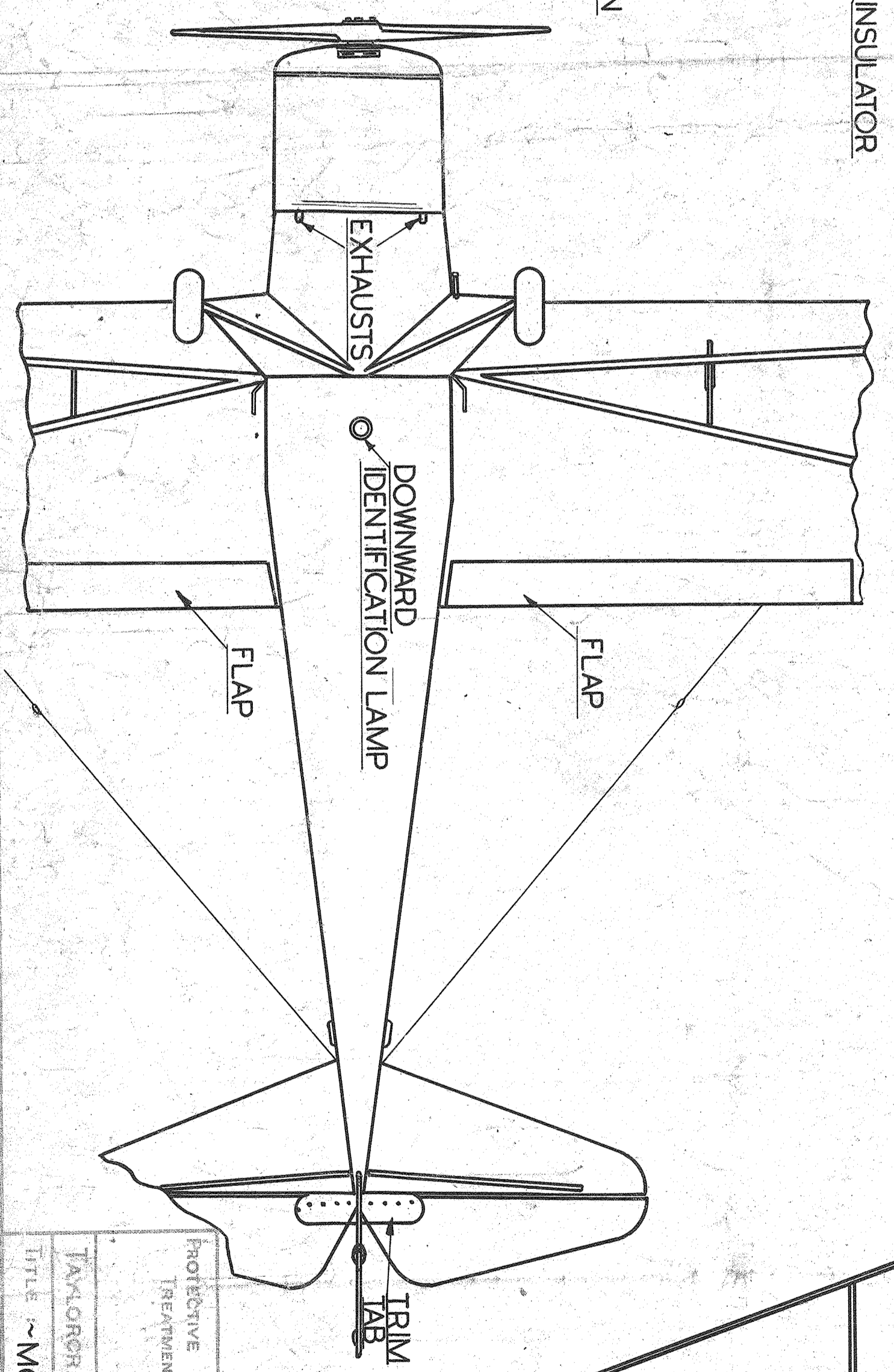
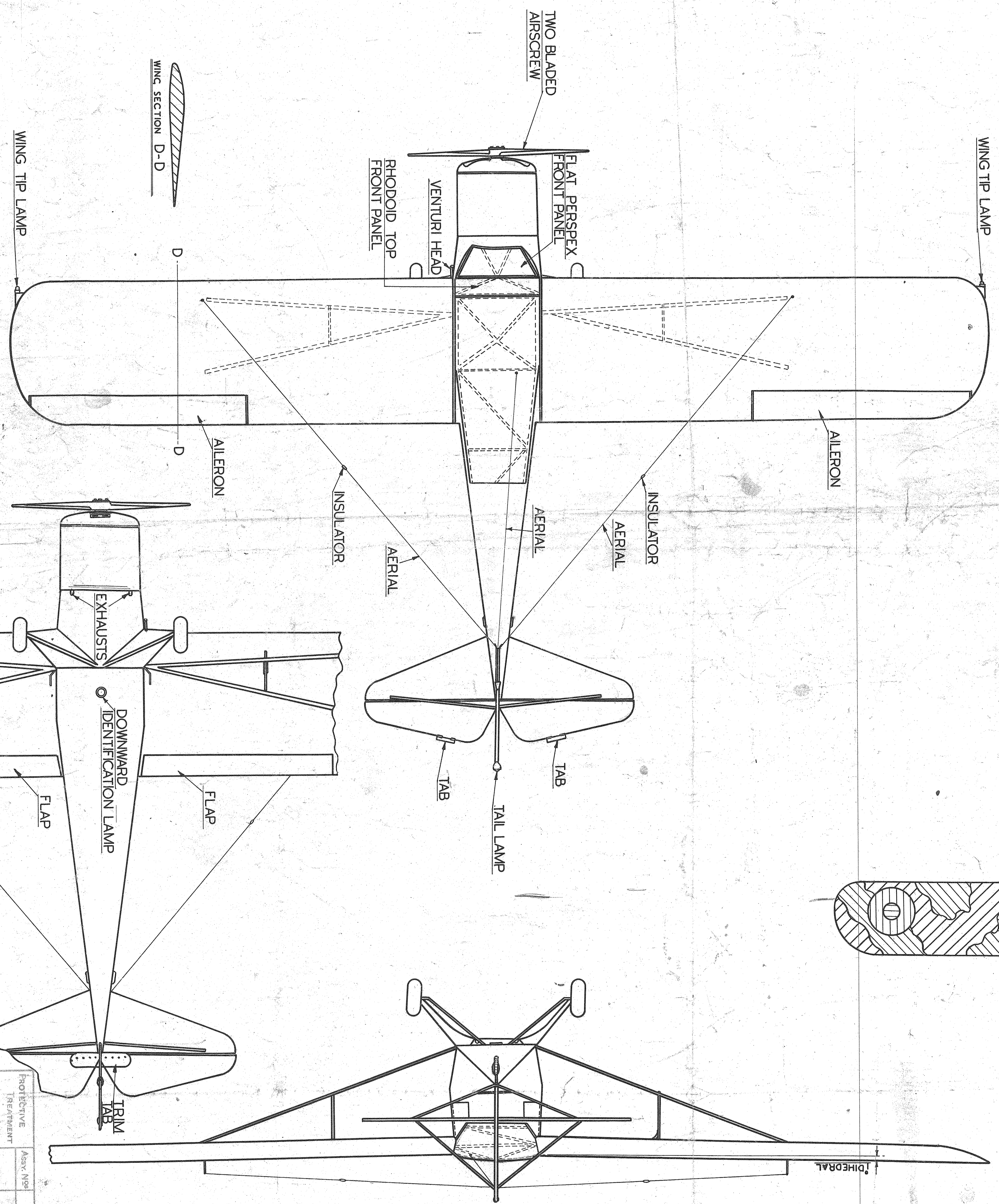


FUSELAGE SECTIONS



COLOUR CHART

[Hatched pattern]	DARK GREEN
[Diagonal lines]	DARK EARTH
[Red hatched pattern]	RED
[Blue hatched pattern]	BLUE



REVISION	NO.	DATE	BY	APP.	REASON

BRITISH TAYLORCRAFT AUSTER IV

ITEM NO.	PART NO.	DESCRIPTION	QUANTITY	REMARKS
1				
2				
3				
4				
5				
6				
7				
8				
9				
10				
11				
12				
13				
14				
15				
16				
17				
18				
19				
20				
21				
22				
23				
24				
25				
26				
27				
28				
29				
30				

PROTECTIVE TREATMENT: Army No. 1

SCALE: 1/24 & 1/48

DESIGNER: S.S. WALLER

DRAWN BY: M. LINDER

CHECKED BY: M. LINDER

DATE: 1944

TAYLORCRAFT AIRCRAFTS (ENGLAND) LTD, LEICESTER.

TITLE: MODEL AIRCRAFT (SOLID)

DWG. NO. SK 276

DWG. NO. SK 276
 PART NO.