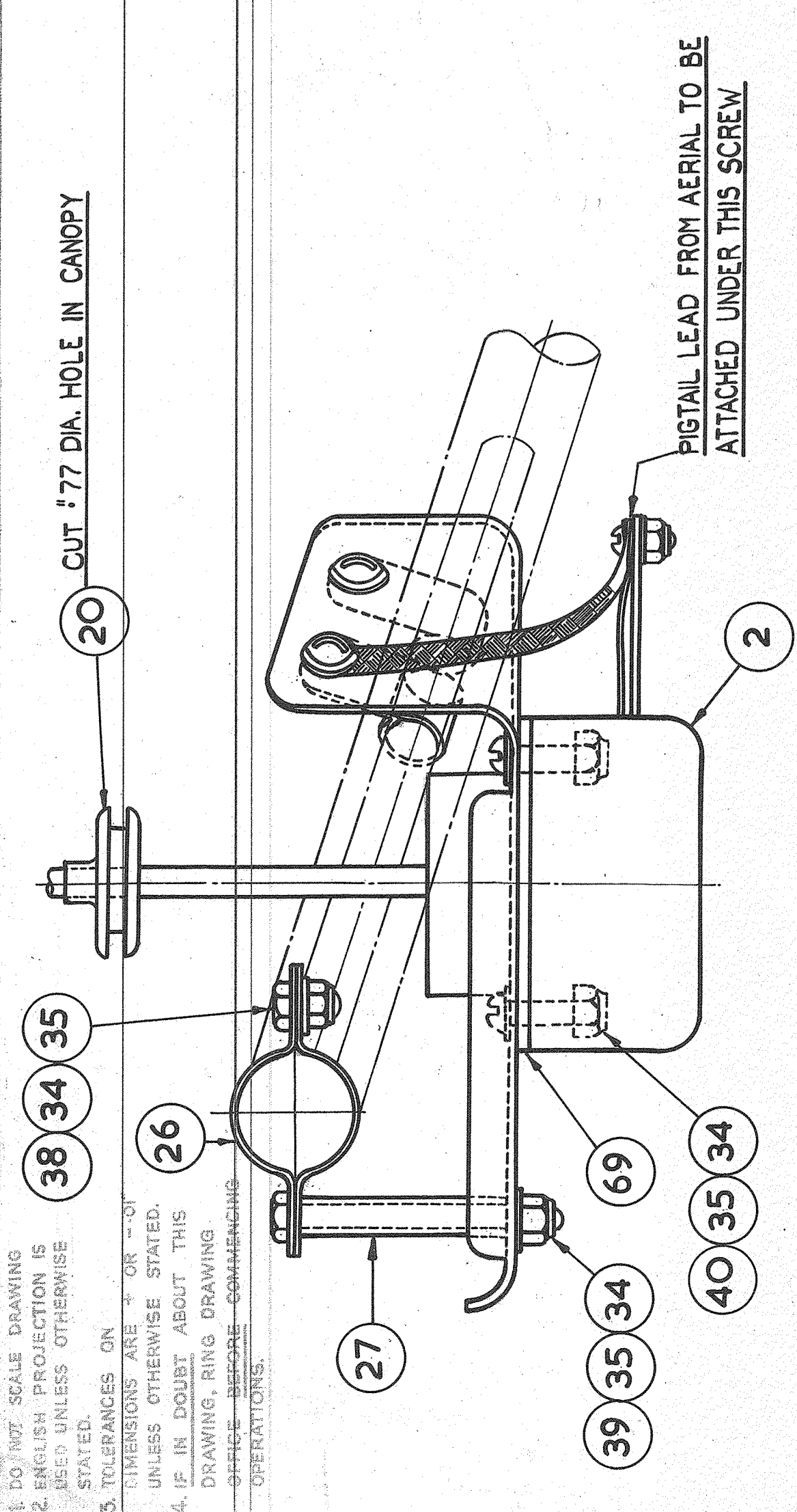
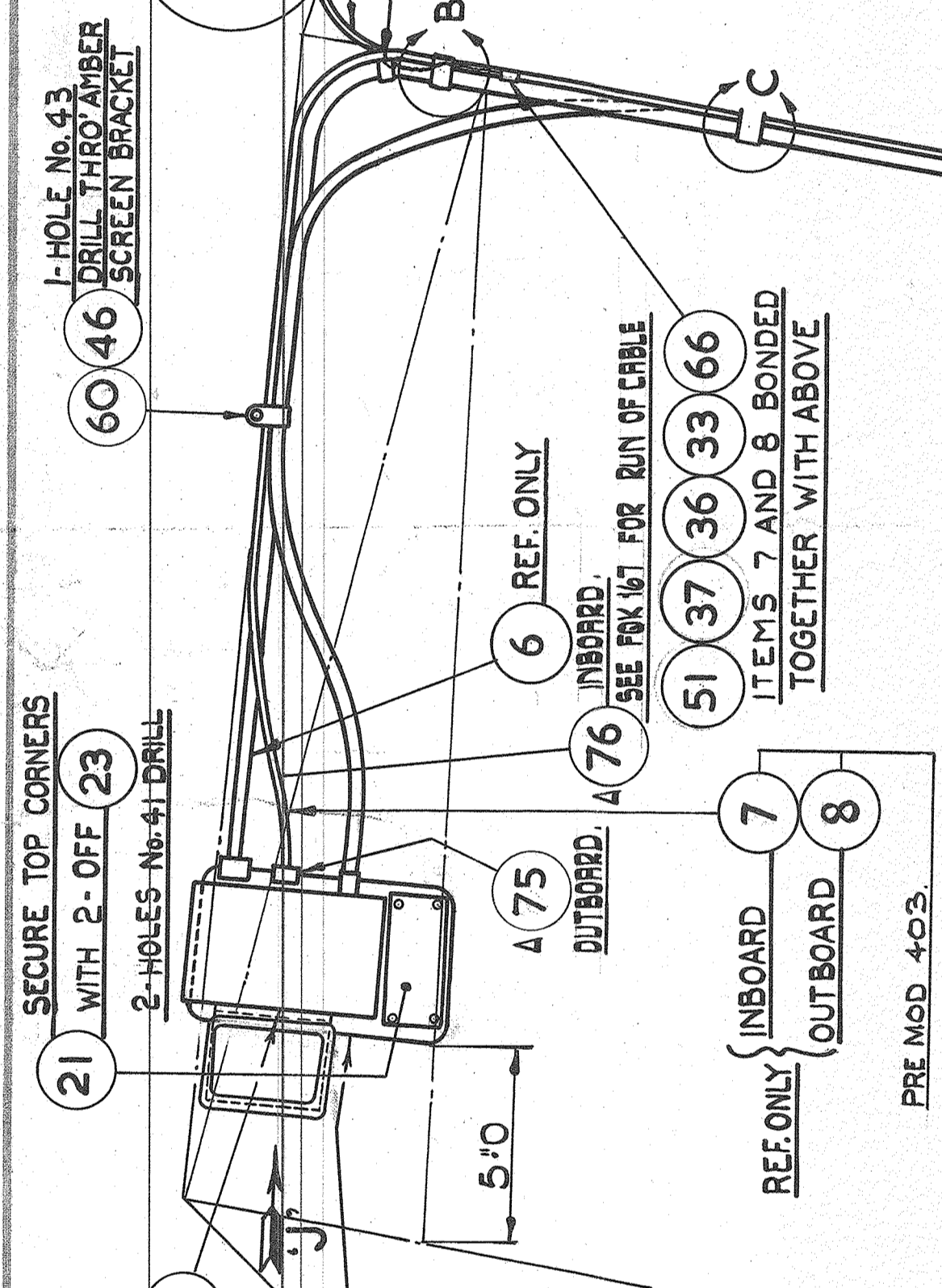


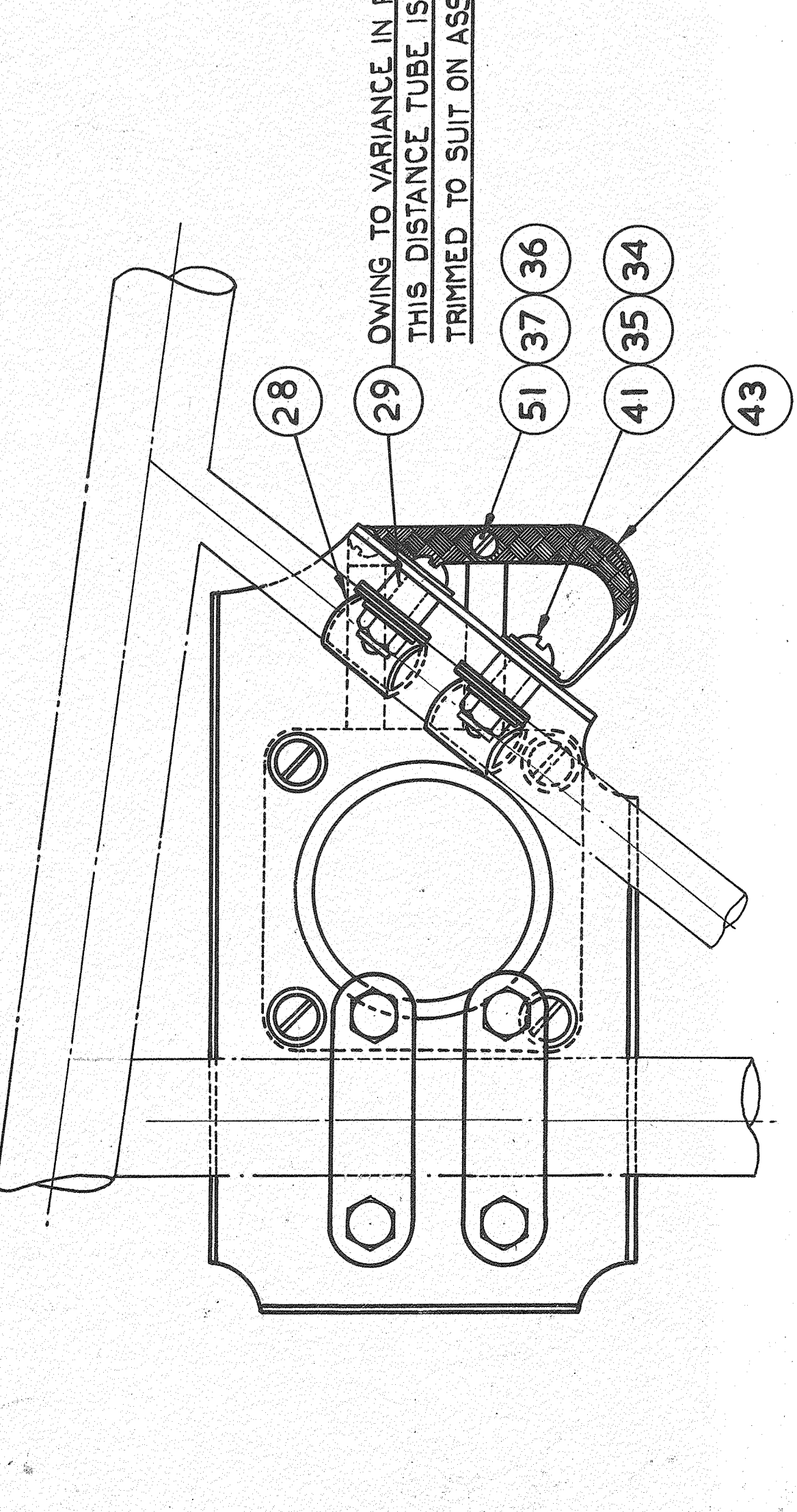
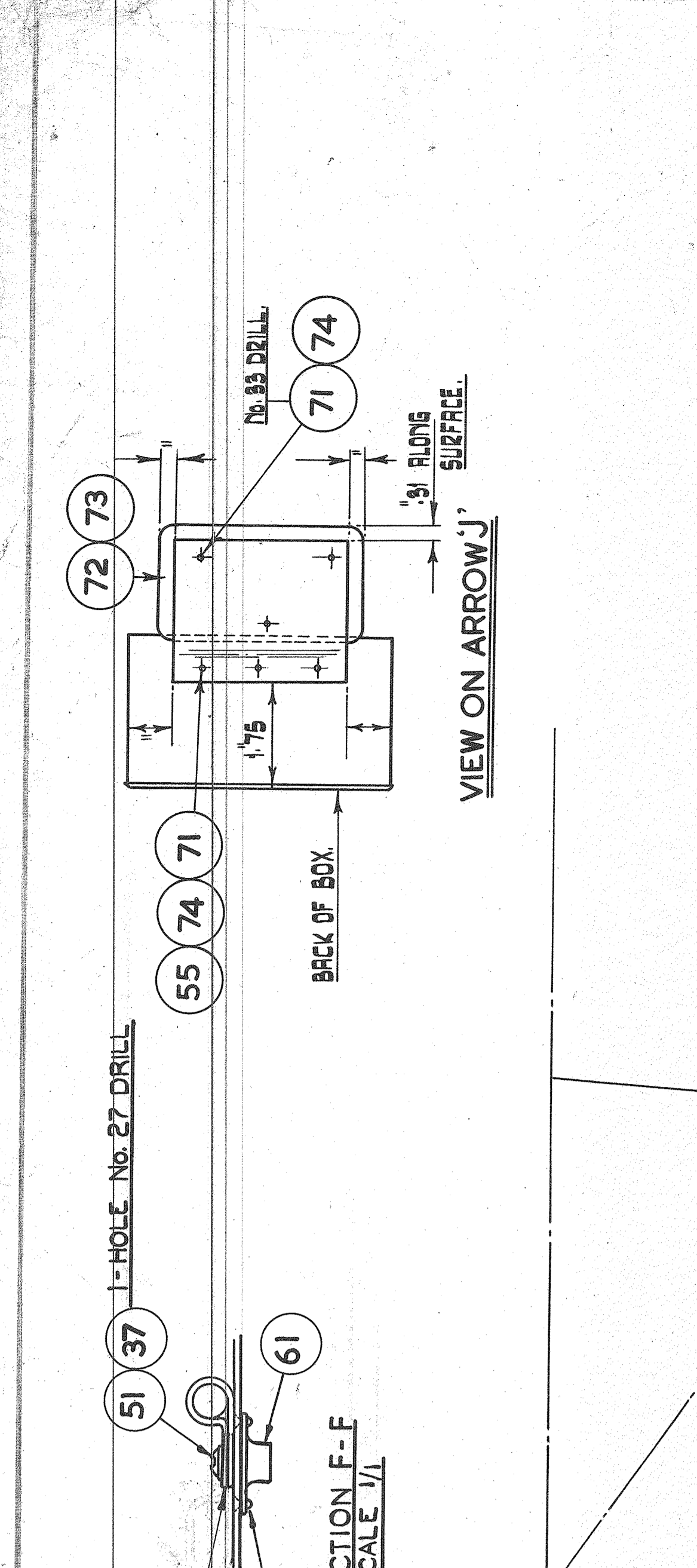
1. ALL DIMENSIONS UNLESS OTHERWISE SPECIFIED ARE IN INCHES.
 2. UNLESS OTHERWISE SPECIFIED, ALL DIMENSIONS ARE TO CENTER UNLESS OTHERWISE SPECIFIED.
 3. DIMENSIONS ON DRAWINGS ARE TO CENTER UNLESS OTHERWISE SPECIFIED.
 4. IF IN DOUBT ABOUT THE DIMENSIONS, REFER TO THE DRAWING AND DIMENSIONS OPERATING INSTRUCTIONS.



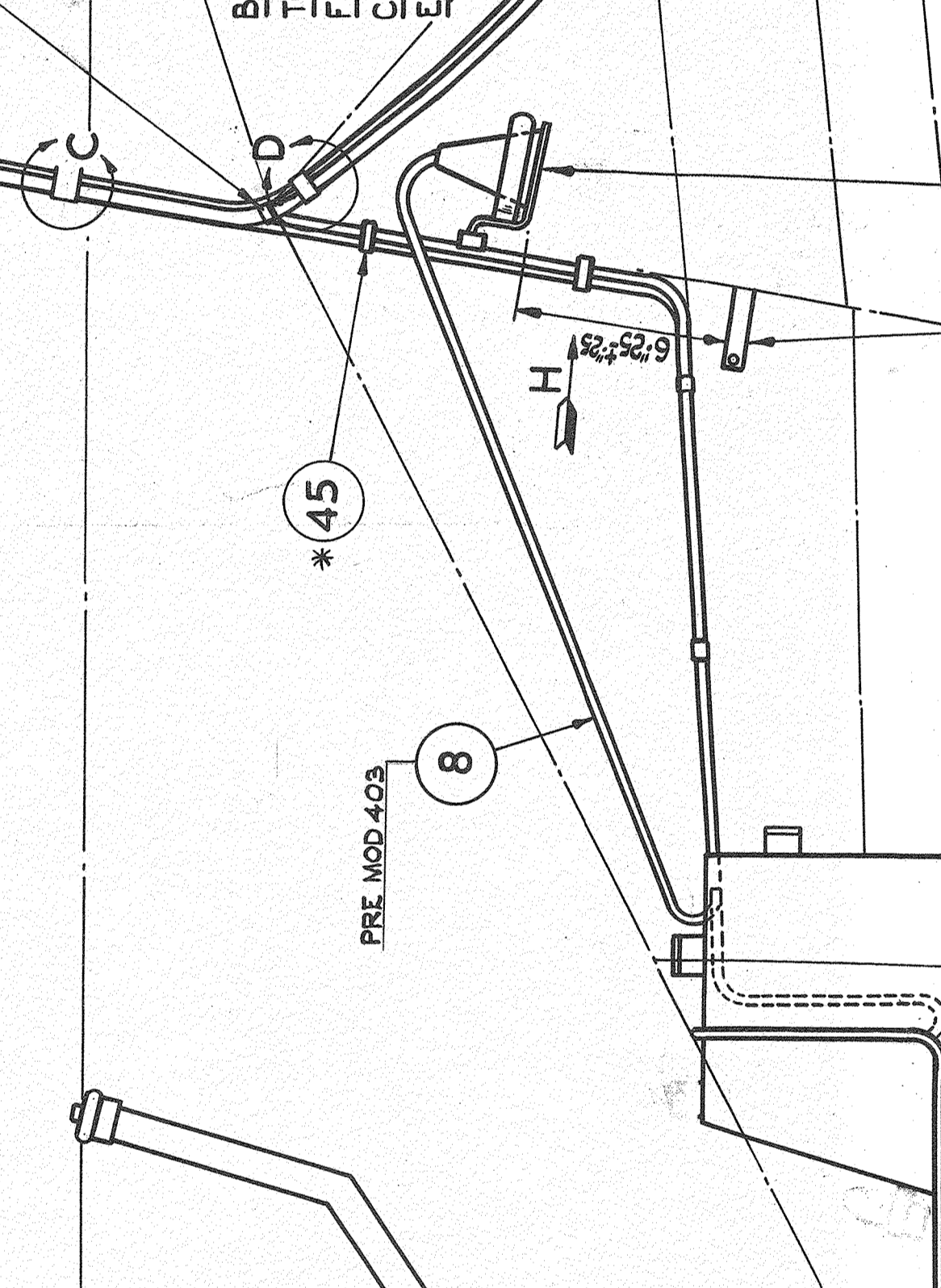
CONTROL BOX BASE TO BE DRILLED BEFORE MOUNTING PLATE IS SECURED. 4-HOLES NO. 27 DRILL TO MATCH HOLES ON MOUNTING PLATE. LOWER EDGE OF BOX TO BE .559 BELOW LOWER EDGE OF NUTS ON PLATE. BOX TO BE POSITIONED CENTRALLY FORE AND AFT - ATTACH WITH (51) (37).



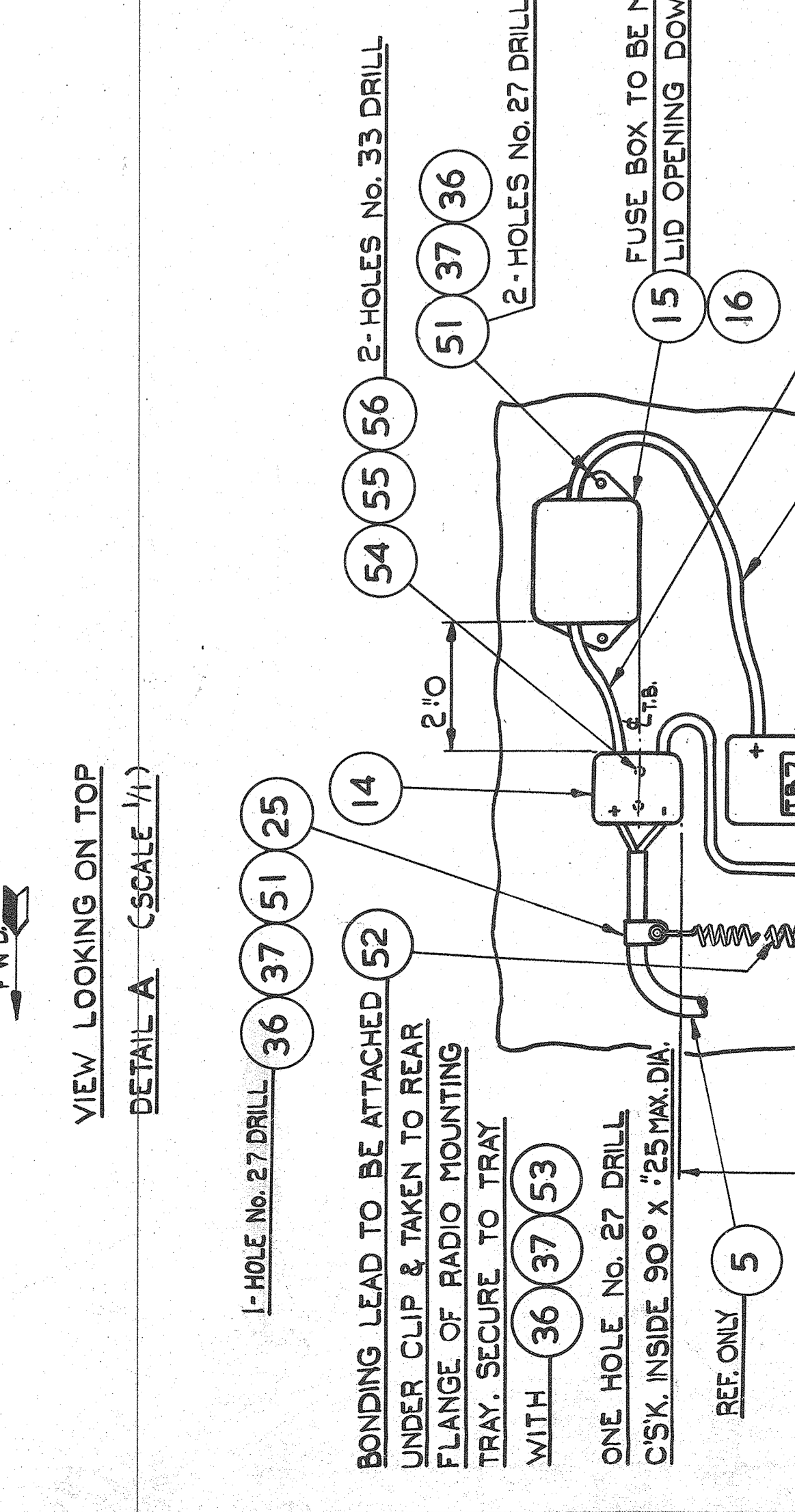
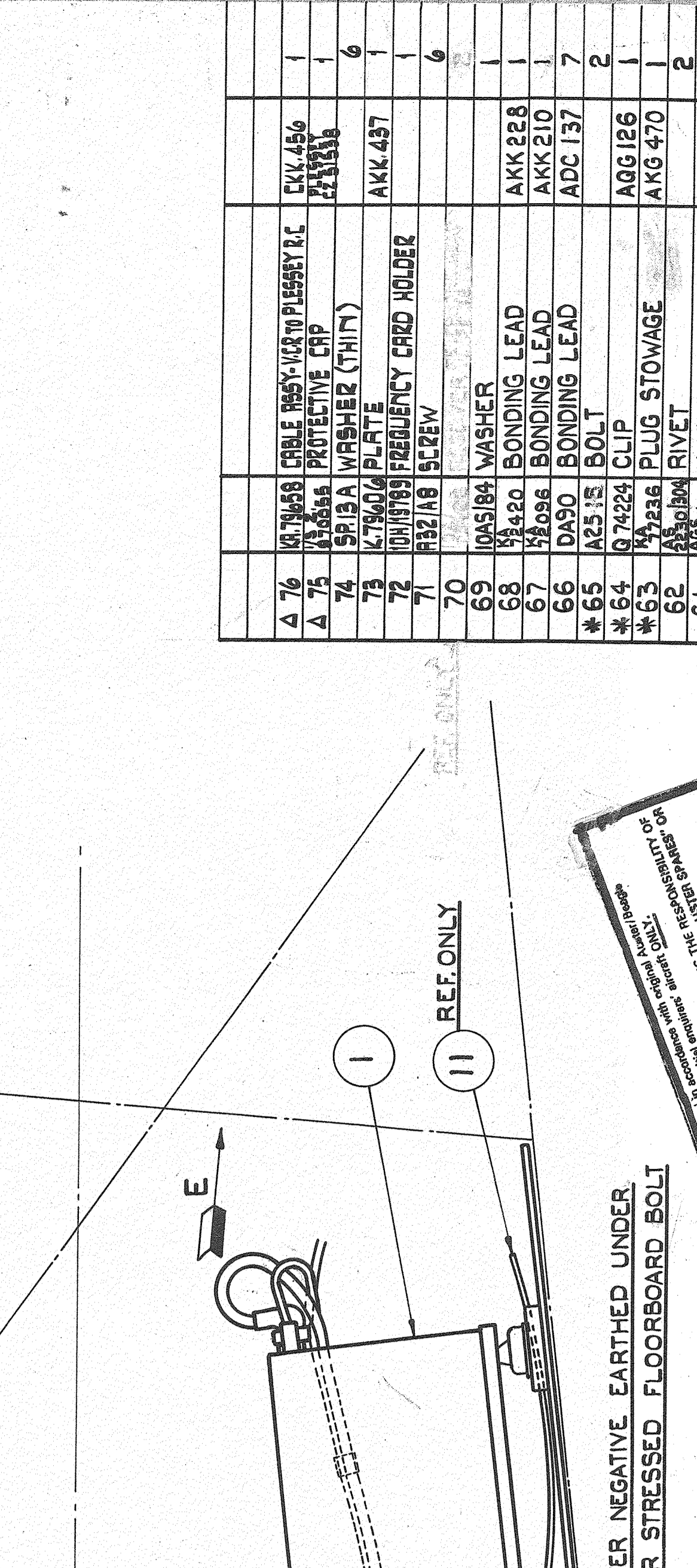
BEFORE ASSEMBLY OF CONTROL BOX TO MOUNTING PLATE, MOUNTING PLATE AS FOLLOWS:-
 ALIGN & OF HOLES IN TOP OF PLATE WITH & OF TUBE. TRIM LOWER EDGE OF PLATE TO BOTTOM OF SQUARE MEMBER. MARK & OF SQUARE MEMBER ON TO PLATE AND WITH DATA PLATE LINED UP TO BOTTOM EDGE OF MOUNTING PLATE. DRILL 2-HOLES NO. 30 THROUGH LATTER PLATE. LOCATING FROM DATA PLATE. DRILL 5-HOLES NO. 30 DRILL THROUGH WALL OF TUBES. LOCATING FROM MOUNTING PLATE AND SECURE WITH ITEM (24).



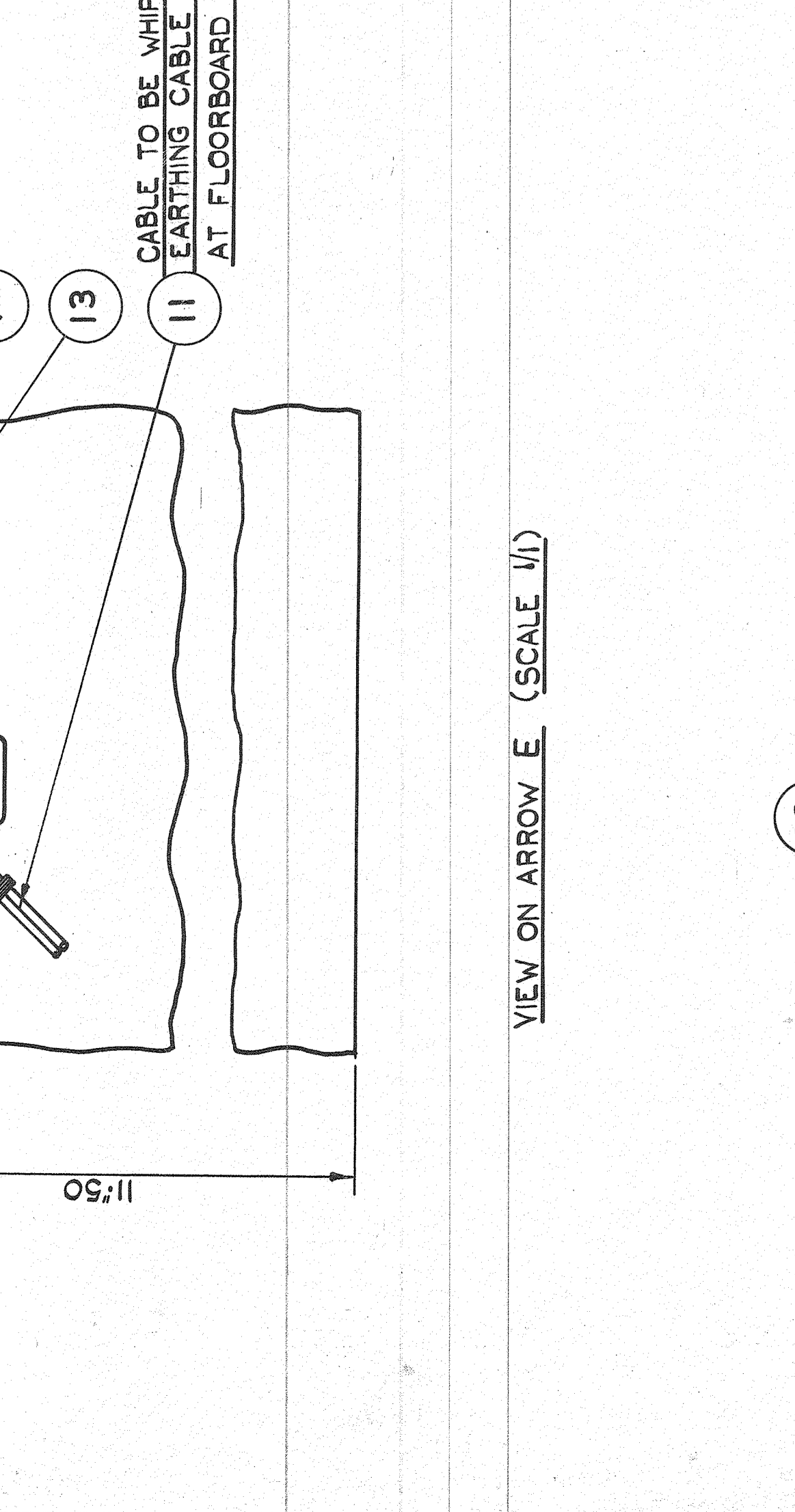
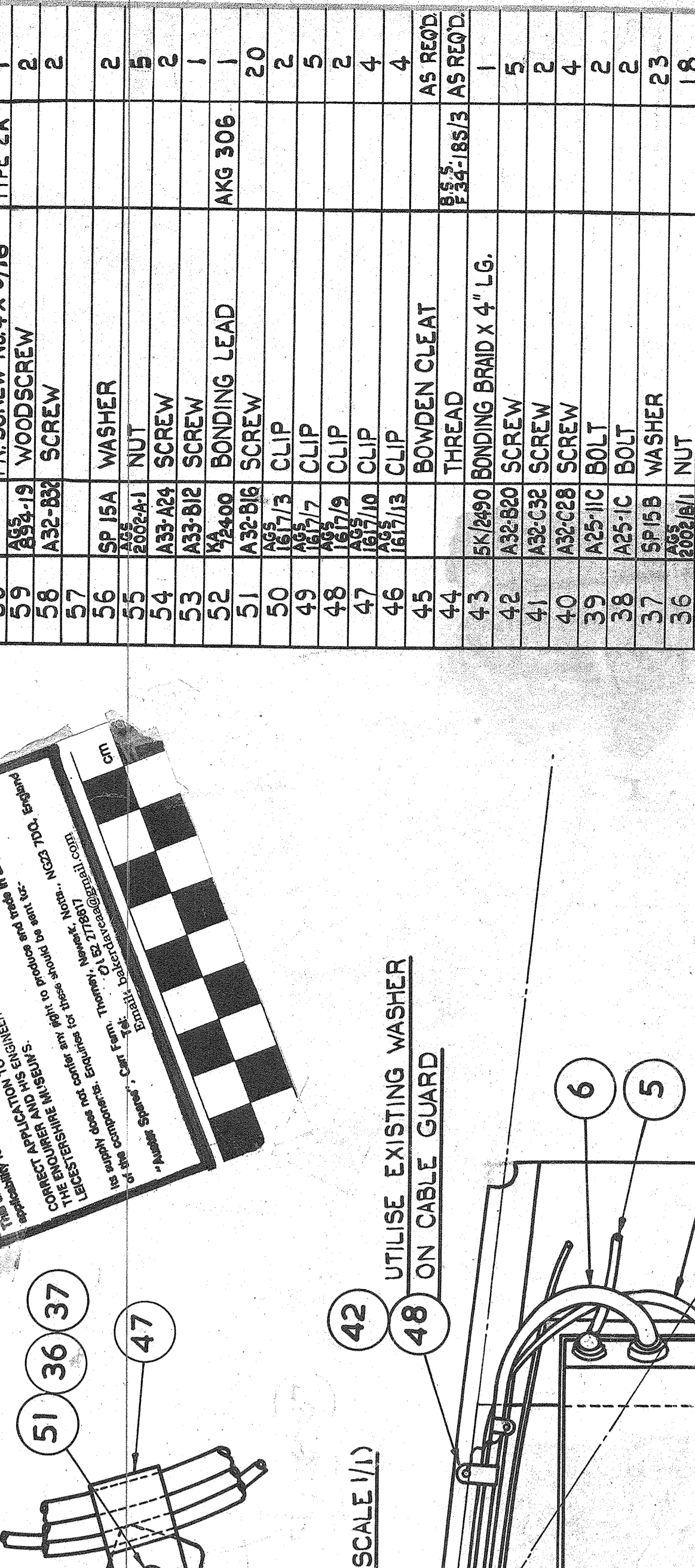
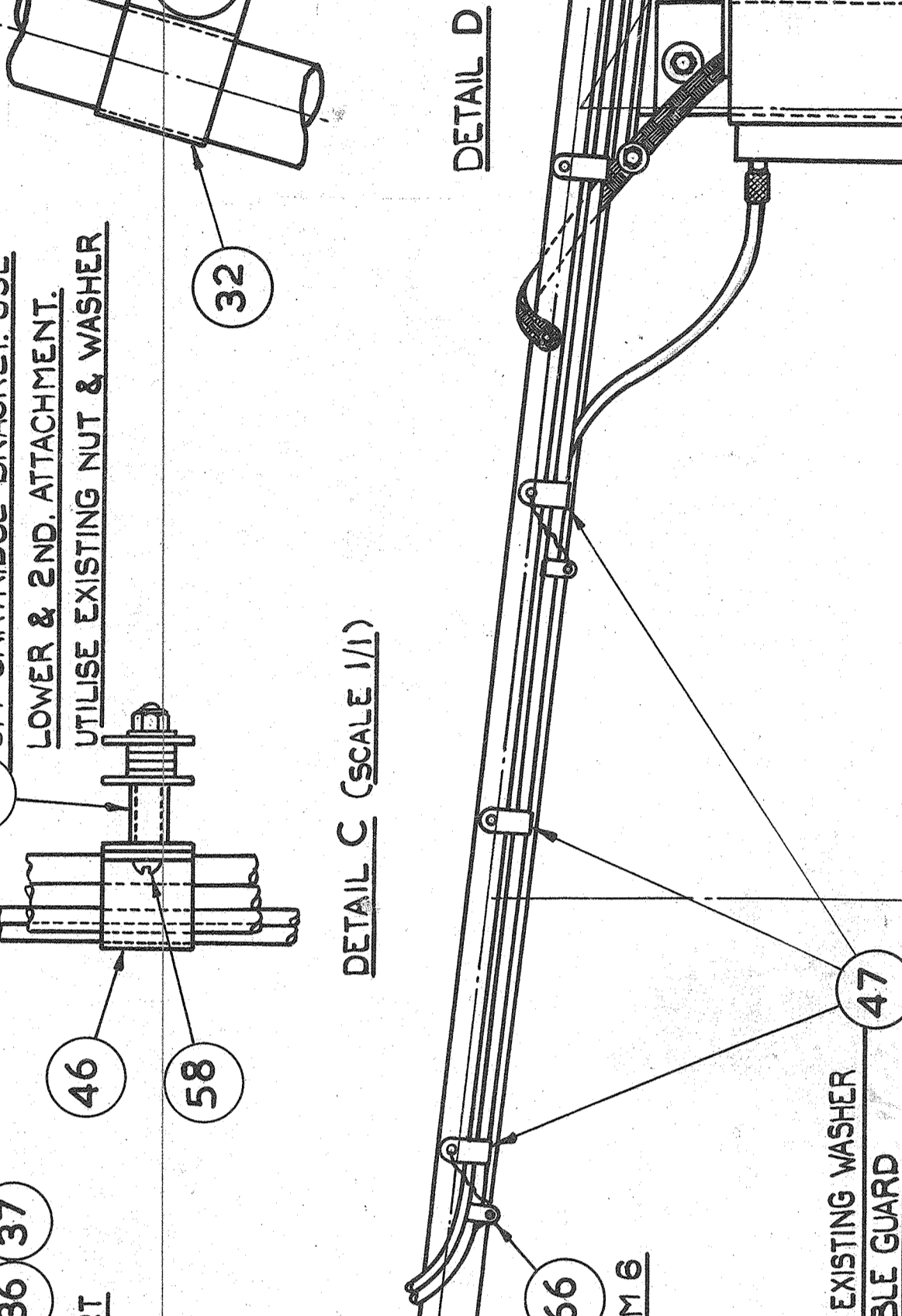
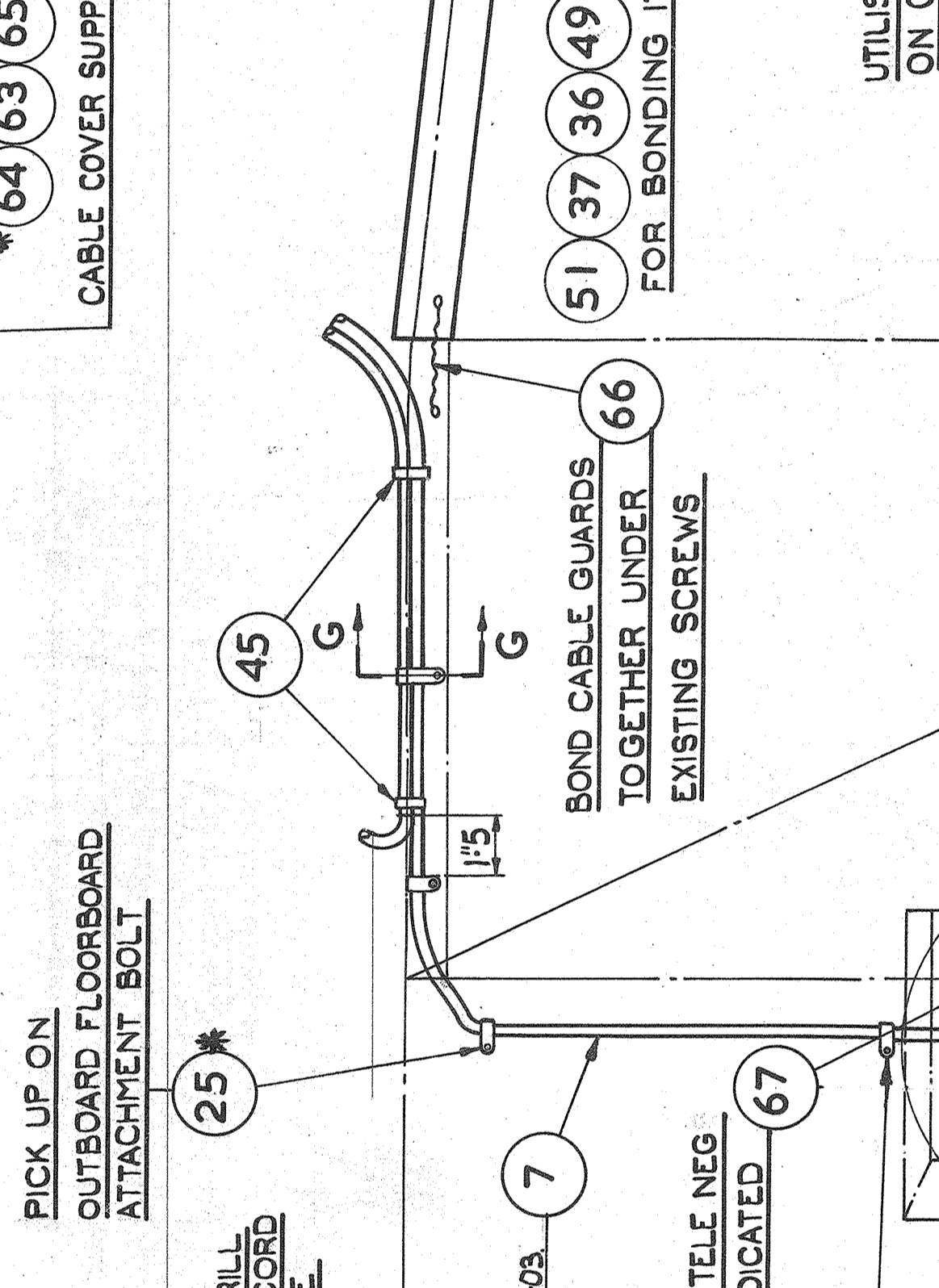
29. DOWING TO VARIANCE IN FUSE MEMBER THIS DISTANCE TUBE IS TO BE TRIMMED TO SUIT ON ASSY.



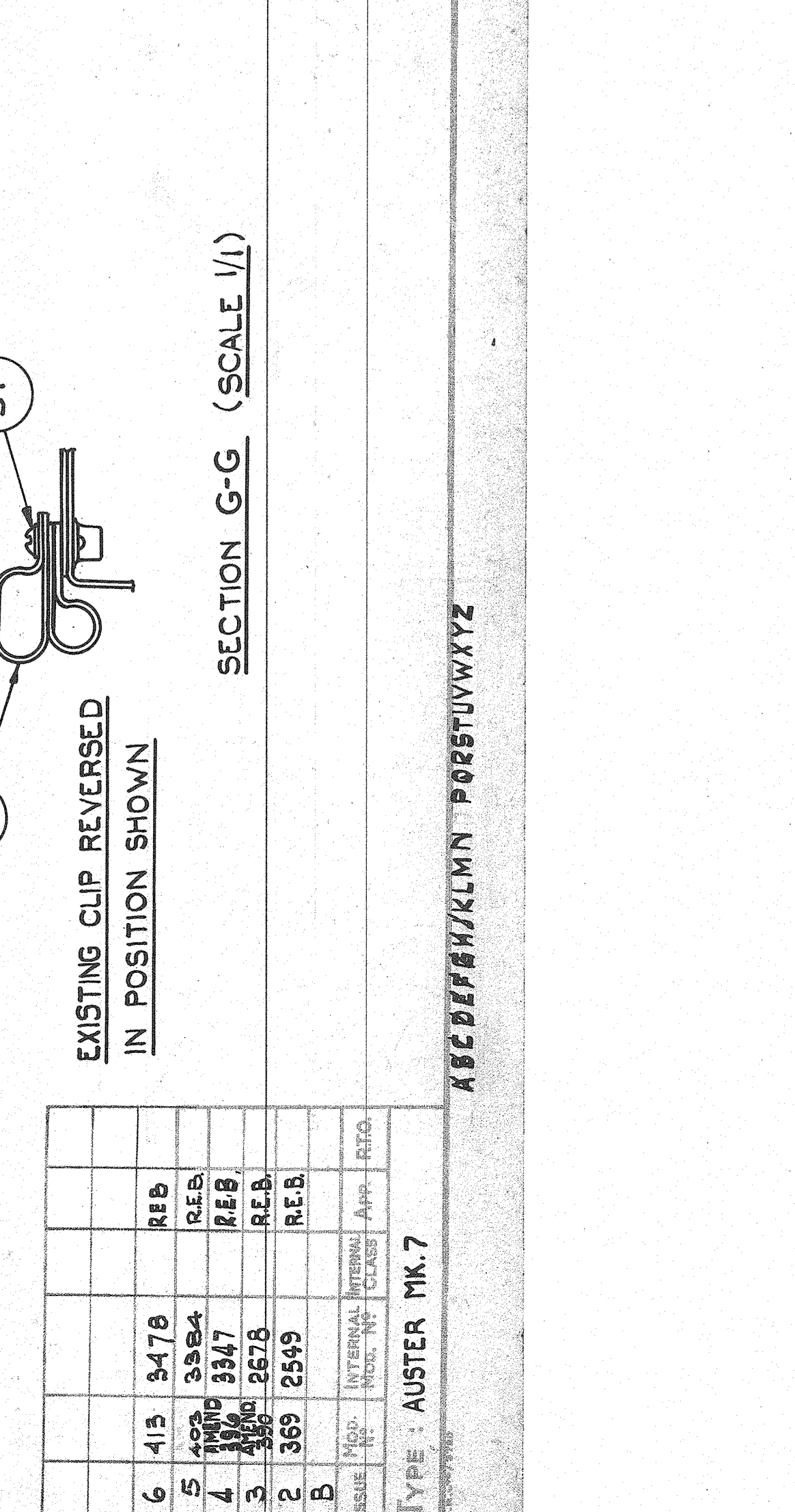
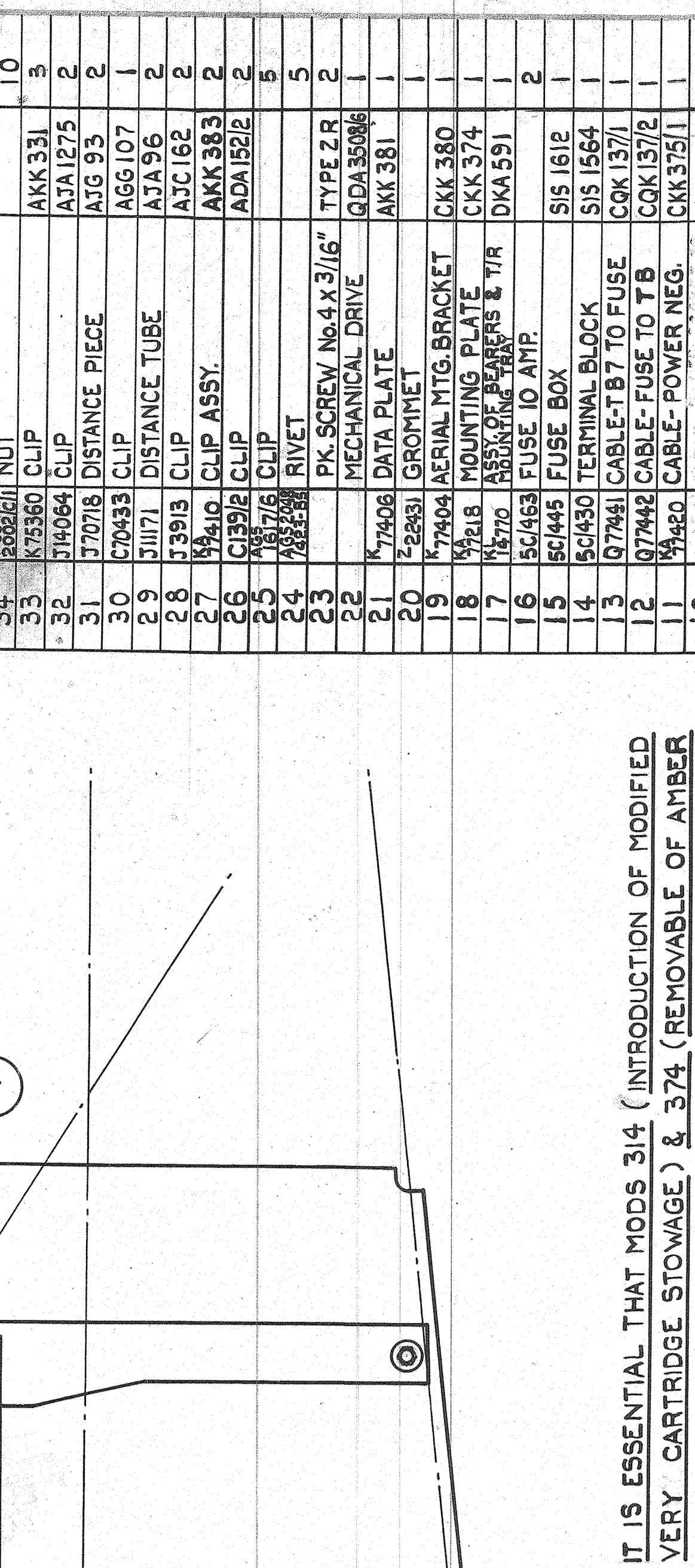
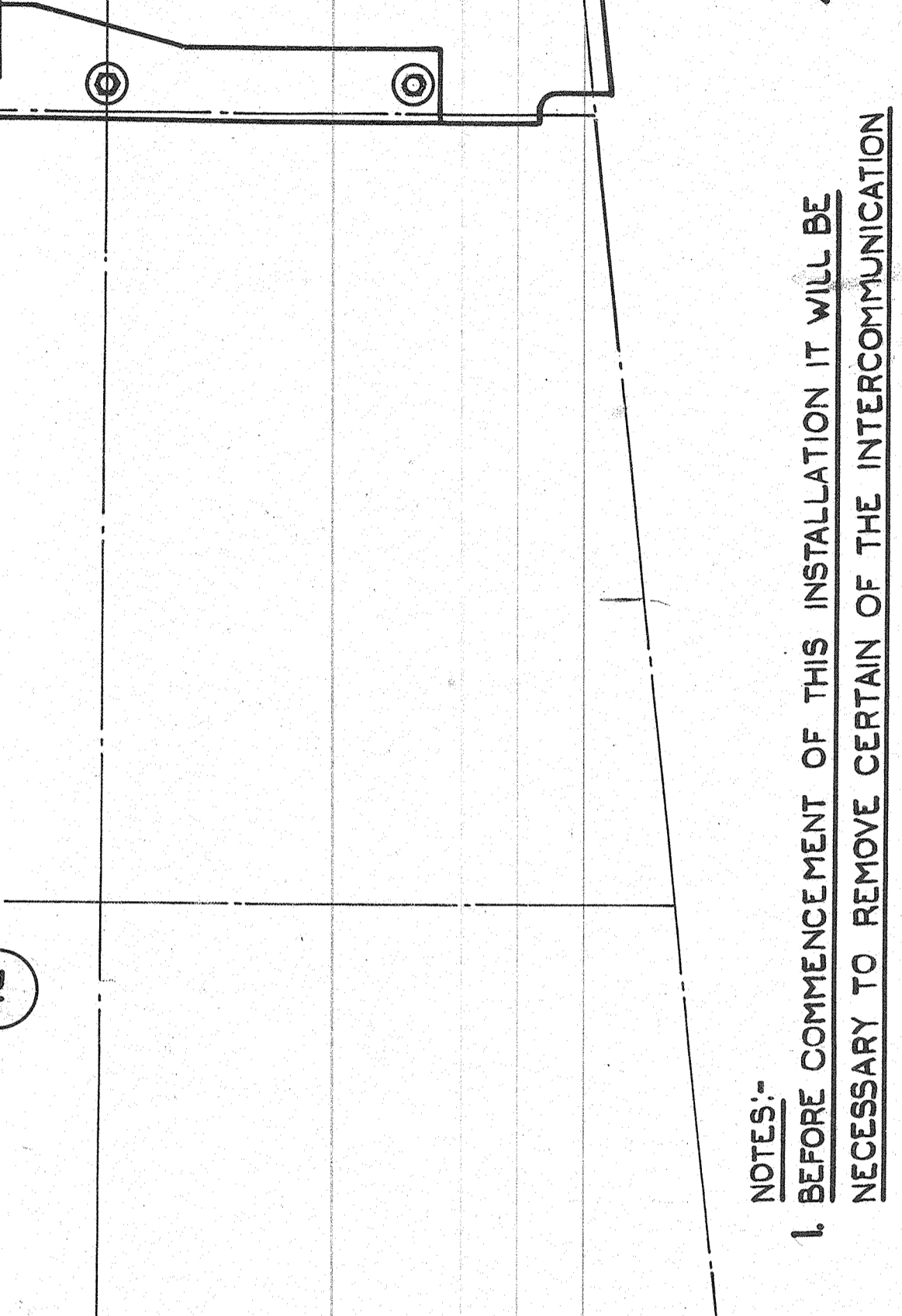
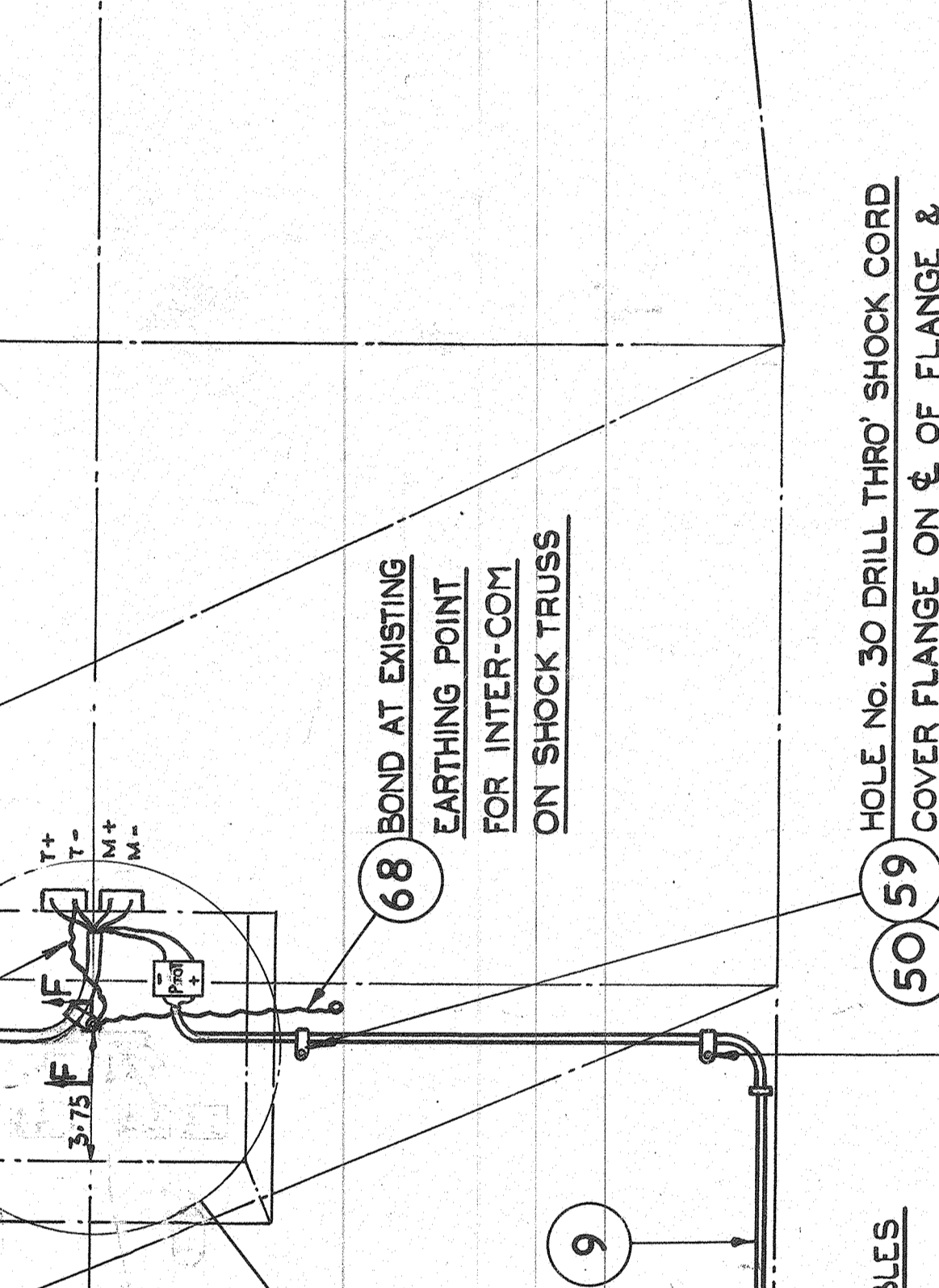
BONDING LEAD ATTACHED TO MOUNTING TRAY TO BE TAKEN UNDER REAR STRESSED FLOORBOARD BOLT & THEN BEHIND CABLE GUARD & ATTACHED UNDER SUITABLE EXISTING SCREW ON CABLE GUARD.



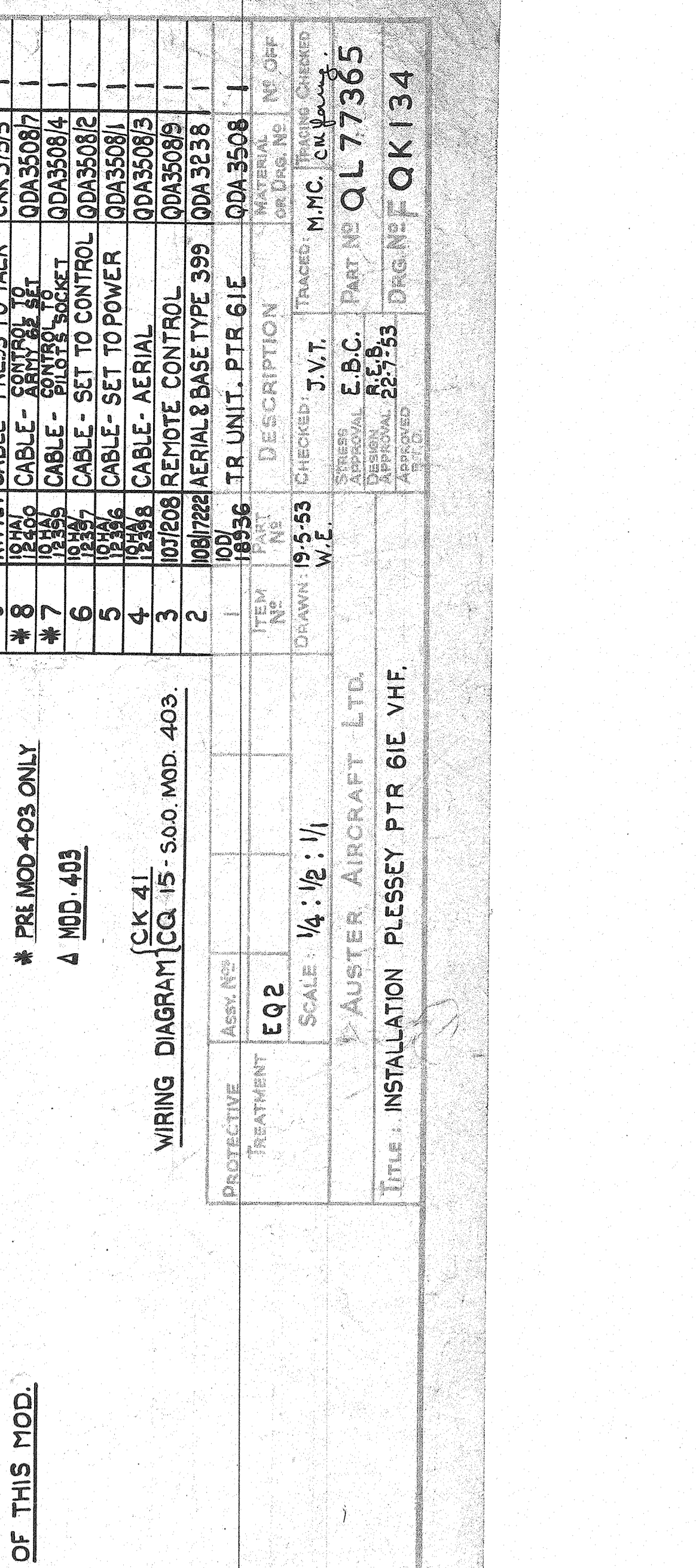
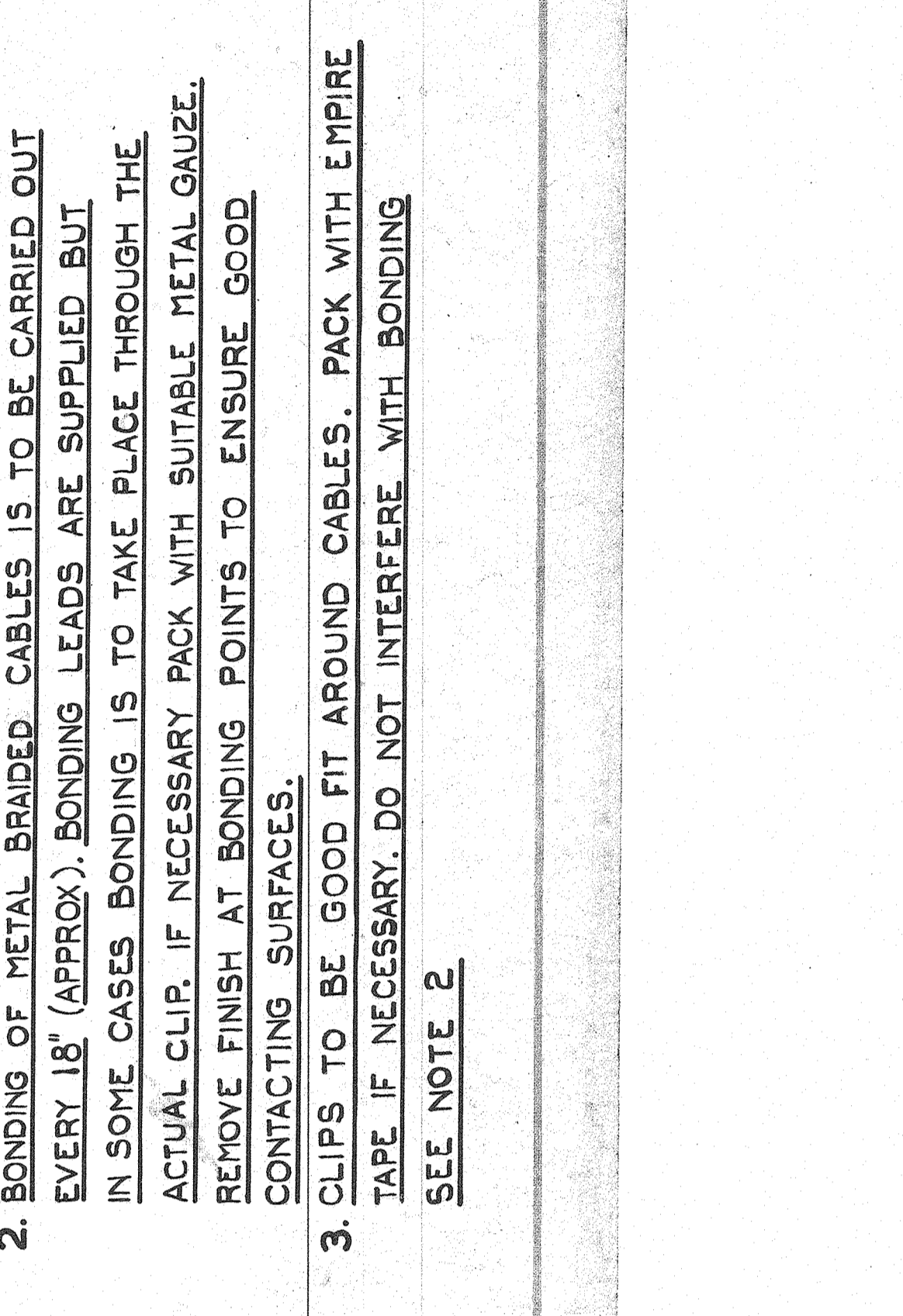
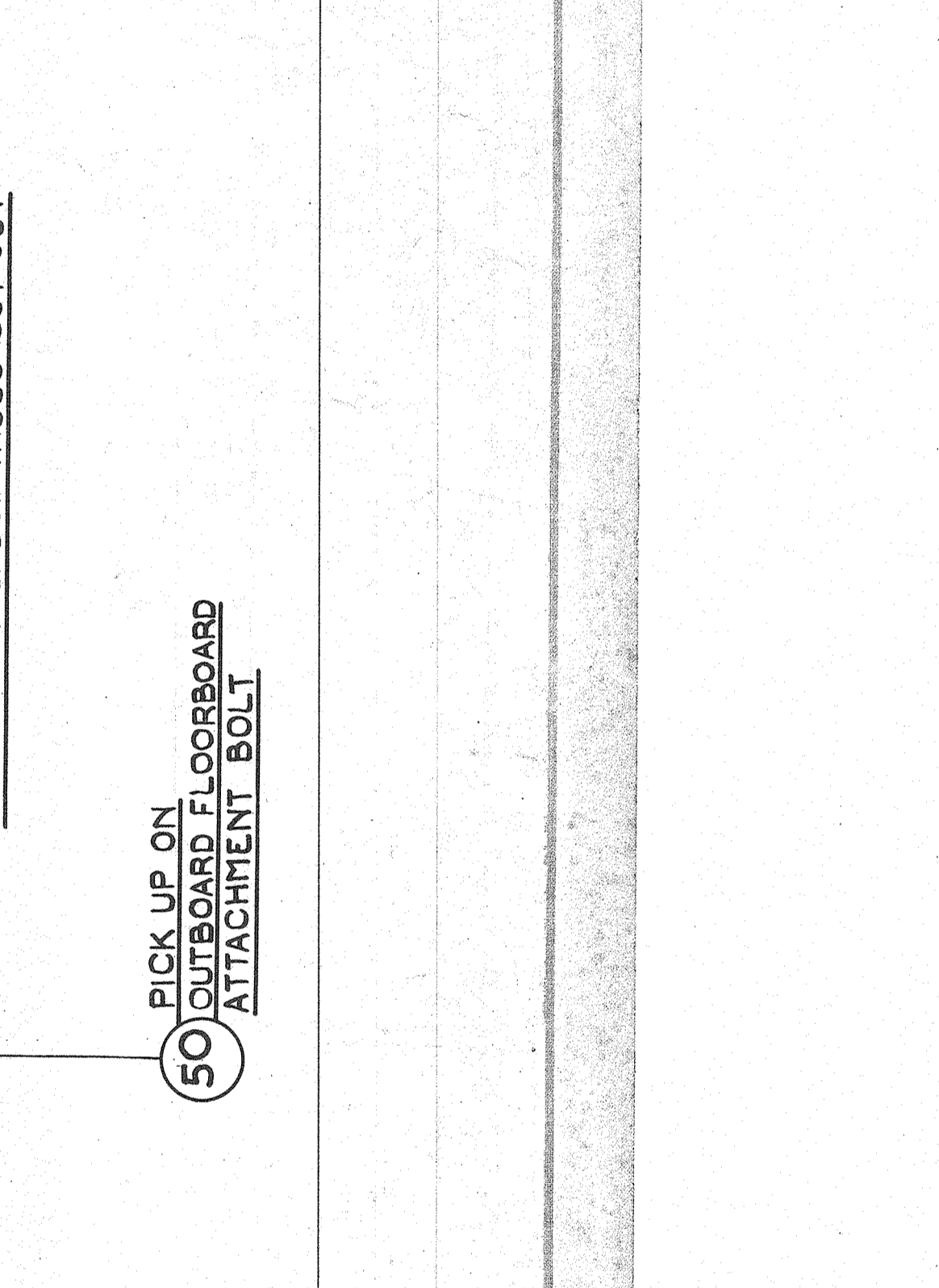
BONDING LEAD TO BE ATTACHED (52) UNDER CLIP & TAKEN TO REAR FLANGE OF RADIO MOUNTING TRAY. SECURE TO TRAY WITH (36) (37) (53). ONE HOLE NO. 27 DRILL CSK INSIDE 90° x .25 MAX DIA. REF. ONLY (5).



TERMINAL BLOCKS TO BE WIRED IN ACCORDANCE WITH WIRING DIAGRAM (CK 41) (32) (33) (34) (35) (36) (37) (38) (39) (40) (41) (42) (43) (44) (45) (46) (47) (48) (49) (50) (51) (52) (53) (54) (55) (56) (57) (58) (59) (60) (61) (62) (63) (64) (65) (66) (67) (68) (69) (70) (71) (72) (73) (74) (75) (76) (77) (78) (79) (80) (81) (82) (83) (84) (85) (86) (87) (88) (89) (90) (91) (92) (93) (94) (95) (96) (97) (98) (99) (100).



EXISTING CLIP REVERSED IN POSITION SHOWN (SCALE I/1)



NOTE:-
 1. BEFORE COMMENCEMENT OF THIS INSTALLATION IT WILL BE NECESSARY TO REMOVE CERTAIN OF THE INTERCOMMUNICATION EQUIPMENT. FOR DETAILS REFER TO CK 135.
 2. BONDING OF METAL BRANDED CABLES IS TO BE CARRIED OUT EVERY 18' (APPROX). BONDING LEADS ARE SUPPLIED BUT IN SOME CASES BONDING IS TO TAKE PLACE THROUGH THE ACTUAL CLIP. IF NECESSARY PACK WITH SUITABLE METAL GAUZE. REMOVE FINISH AT BONDING POINTS TO ENSURE GOOD CONTACTING SURFACES.
 3. CLIPS TO BE GOOD FIT AROUND CABLES. PACK WITH EMPIRE TAPE IF NECESSARY. DO NOT INTERFERE WITH BONDING. SEE NOTE 2.
 4. IT IS ESSENTIAL THAT MODS 314 (INTRODUCTION OF MODIFIED VERY CARTRIDGE STORAGE) & 374 (REMOVABLE OF AMBER PANEL STORAGE BAG) ARE EMBODIED PRIOR TO THE FITTING OF THIS MOD.
 * PREL MOD 403 ONLY
 4 MOD 403
 (CK 41)
 WIRING DIAGRAM (CK 15) S.O.P. MOD. 403.

ITEM NO.	DESCRIPTION	QTY	UNIT	REMARKS
1	1-HOLE NO. 27 DRILL	1	PC	
2	2-HOLES NO. 41 DRILL CSK (R20) X 20 MAX DIA	2	PC	
3	2-HOLES NO. 11 DRILL	2	PC	
4	1-HOLE NO. 43 DRILL THROUGH UPPER SCREEN BRACKET	1	PC	
5	1-HOLE NO. 30 DRILL THROUGH SHOCK CORD COVER FLANGE	1	PC	
6	1-HOLE NO. 30 DRILL THROUGH SHOCK CORD COVER FLANGE ON SHOCK TRUSS	1	PC	
7	1-HOLE NO. 30 DRILL THROUGH SHOCK CORD COVER FLANGE ON SHOCK TRUSS	1	PC	
8	1-HOLE NO. 30 DRILL THROUGH SHOCK CORD COVER FLANGE ON SHOCK TRUSS	1	PC	
9	1-HOLE NO. 30 DRILL THROUGH SHOCK CORD COVER FLANGE ON SHOCK TRUSS	1	PC	
10	1-HOLE NO. 30 DRILL THROUGH SHOCK CORD COVER FLANGE ON SHOCK TRUSS	1	PC	
11	1-HOLE NO. 30 DRILL THROUGH SHOCK CORD COVER FLANGE ON SHOCK TRUSS	1	PC	
12	1-HOLE NO. 30 DRILL THROUGH SHOCK CORD COVER FLANGE ON SHOCK TRUSS	1	PC	
13	1-HOLE NO. 30 DRILL THROUGH SHOCK CORD COVER FLANGE ON SHOCK TRUSS	1	PC	
14	1-HOLE NO. 30 DRILL THROUGH SHOCK CORD COVER FLANGE ON SHOCK TRUSS	1	PC	
15	1-HOLE NO. 30 DRILL THROUGH SHOCK CORD COVER FLANGE ON SHOCK TRUSS	1	PC	
16	1-HOLE NO. 30 DRILL THROUGH SHOCK CORD COVER FLANGE ON SHOCK TRUSS	1	PC	
17	1-HOLE NO. 30 DRILL THROUGH SHOCK CORD COVER FLANGE ON SHOCK TRUSS	1	PC	
18	1-HOLE NO. 30 DRILL THROUGH SHOCK CORD COVER FLANGE ON SHOCK TRUSS	1	PC	
19	1-HOLE NO. 30 DRILL THROUGH SHOCK CORD COVER FLANGE ON SHOCK TRUSS	1	PC	
20	1-HOLE NO. 30 DRILL THROUGH SHOCK CORD COVER FLANGE ON SHOCK TRUSS	1	PC	
21	1-HOLE NO. 30 DRILL THROUGH SHOCK CORD COVER FLANGE ON SHOCK TRUSS	1	PC	
22	1-HOLE NO. 30 DRILL THROUGH SHOCK CORD COVER FLANGE ON SHOCK TRUSS	1	PC	
23	1-HOLE NO. 30 DRILL THROUGH SHOCK CORD COVER FLANGE ON SHOCK TRUSS	1	PC	
24	1-HOLE NO. 30 DRILL THROUGH SHOCK CORD COVER FLANGE ON SHOCK TRUSS	1	PC	
25	1-HOLE NO. 30 DRILL THROUGH SHOCK CORD COVER FLANGE ON SHOCK TRUSS	1	PC	
26	1-HOLE NO. 30 DRILL THROUGH SHOCK CORD COVER FLANGE ON SHOCK TRUSS	1	PC	
27	1-HOLE NO. 30 DRILL THROUGH SHOCK CORD COVER FLANGE ON SHOCK TRUSS	1	PC	
28	1-HOLE NO. 30 DRILL THROUGH SHOCK CORD COVER FLANGE ON SHOCK TRUSS	1	PC	
29	1-HOLE NO. 30 DRILL THROUGH SHOCK CORD COVER FLANGE ON SHOCK TRUSS	1	PC	
30	1-HOLE NO. 30 DRILL THROUGH SHOCK CORD COVER FLANGE ON SHOCK TRUSS	1	PC	
31	1-HOLE NO. 30 DRILL THROUGH SHOCK CORD COVER FLANGE ON SHOCK TRUSS	1	PC	
32	1-HOLE NO. 30 DRILL THROUGH SHOCK CORD COVER FLANGE ON SHOCK TRUSS	1	PC	
33	1-HOLE NO. 30 DRILL THROUGH SHOCK CORD COVER FLANGE ON SHOCK TRUSS	1	PC	
34	1-HOLE NO. 30 DRILL THROUGH SHOCK CORD COVER FLANGE ON SHOCK TRUSS	1	PC	
35	1-HOLE NO. 30 DRILL THROUGH SHOCK CORD COVER FLANGE ON SHOCK TRUSS	1	PC	
36	1-HOLE NO. 30 DRILL THROUGH SHOCK CORD COVER FLANGE ON SHOCK TRUSS	1	PC	
37	1-HOLE NO. 30 DRILL THROUGH SHOCK CORD COVER FLANGE ON SHOCK TRUSS	1	PC	
38	1-HOLE NO. 30 DRILL THROUGH SHOCK CORD COVER FLANGE ON SHOCK TRUSS	1	PC	
39	1-HOLE NO. 30 DRILL THROUGH SHOCK CORD COVER FLANGE ON SHOCK TRUSS	1	PC	
40	1-HOLE NO. 30 DRILL THROUGH SHOCK CORD COVER FLANGE ON SHOCK TRUSS	1	PC	
41	1-HOLE NO. 30 DRILL THROUGH SHOCK CORD COVER FLANGE ON SHOCK TRUSS	1	PC	
42	1-HOLE NO. 30 DRILL THROUGH SHOCK CORD COVER FLANGE ON SHOCK TRUSS	1	PC	
43	1-HOLE NO. 30 DRILL THROUGH SHOCK CORD COVER FLANGE ON SHOCK TRUSS	1	PC	
44	1-HOLE NO. 30 DRILL THROUGH SHOCK CORD COVER FLANGE ON SHOCK TRUSS	1	PC	
45	1-HOLE NO. 30 DRILL THROUGH SHOCK CORD COVER FLANGE ON SHOCK TRUSS	1	PC	
46	1-HOLE NO. 30 DRILL THROUGH SHOCK CORD COVER FLANGE ON SHOCK TRUSS	1	PC	
47	1-HOLE NO. 30 DRILL THROUGH SHOCK CORD COVER FLANGE ON SHOCK TRUSS	1	PC	
48	1-HOLE NO. 30 DRILL THROUGH SHOCK CORD COVER FLANGE ON SHOCK TRUSS	1	PC	
49	1-HOLE NO. 30 DRILL THROUGH SHOCK CORD COVER FLANGE ON SHOCK TRUSS	1	PC	
50	1-HOLE NO. 30 DRILL THROUGH SHOCK CORD COVER FLANGE ON SHOCK TRUSS	1	PC	
51	1-HOLE NO. 30 DRILL THROUGH SHOCK CORD COVER FLANGE ON SHOCK TRUSS	1	PC	
52	1-HOLE NO. 30 DRILL THROUGH SHOCK CORD COVER FLANGE ON SHOCK TRUSS	1	PC	
53	1-HOLE NO. 30 DRILL THROUGH SHOCK CORD COVER FLANGE ON SHOCK TRUSS	1	PC	
54	1-HOLE NO. 30 DRILL THROUGH SHOCK CORD COVER FLANGE ON SHOCK TRUSS	1	PC	
55	1-HOLE NO. 30 DRILL THROUGH SHOCK CORD COVER FLANGE ON SHOCK TRUSS	1	PC	
56	1-HOLE NO. 30 DRILL THROUGH SHOCK CORD COVER FLANGE ON SHOCK TRUSS	1	PC	
57	1-HOLE NO. 30 DRILL THROUGH SHOCK CORD COVER FLANGE ON SHOCK TRUSS	1	PC	
58	1-HOLE NO. 30 DRILL THROUGH SHOCK CORD COVER FLANGE ON SHOCK TRUSS	1	PC	
59	1-HOLE NO. 30 DRILL THROUGH SHOCK CORD COVER FLANGE ON SHOCK TRUSS	1	PC	
60	1-HOLE NO. 30 DRILL THROUGH SHOCK CORD COVER FLANGE ON SHOCK TRUSS	1	PC	
61	1-HOLE NO. 30 DRILL THROUGH SHOCK CORD COVER FLANGE ON SHOCK TRUSS	1	PC	
62	1-HOLE NO. 30 DRILL THROUGH SHOCK CORD COVER FLANGE ON SHOCK TRUSS	1	PC	
63	1-HOLE NO. 30 DRILL THROUGH SHOCK CORD COVER FLANGE ON SHOCK TRUSS	1	PC	
64	1-HOLE NO. 30 DRILL THROUGH SHOCK CORD COVER FLANGE ON SHOCK TRUSS	1	PC	
65	1-HOLE NO. 30 DRILL THROUGH SHOCK CORD COVER FLANGE ON SHOCK TRUSS	1	PC	
66	1-HOLE NO. 30 DRILL THROUGH SHOCK CORD COVER FLANGE ON SHOCK TRUSS	1	PC	
67	1-HOLE NO. 30 DRILL THROUGH SHOCK CORD COVER FLANGE ON SHOCK TRUSS	1	PC	
68	1-HOLE NO. 30 DRILL THROUGH SHOCK CORD COVER FLANGE ON SHOCK TRUSS	1	PC	
69	1-HOLE NO. 30 DRILL THROUGH SHOCK CORD COVER FLANGE ON SHOCK TRUSS	1	PC	
70	1-HOLE NO. 30 DRILL THROUGH SHOCK CORD COVER FLANGE ON SHOCK TRUSS	1	PC	
71	1-HOLE NO. 30 DRILL THROUGH SHOCK CORD COVER FLANGE ON SHOCK TRUSS	1	PC	
72	1-HOLE NO. 30 DRILL THROUGH SHOCK CORD COVER FLANGE ON SHOCK TRUSS	1	PC	
73	1-HOLE NO. 30 DRILL THROUGH SHOCK CORD COVER FLANGE ON SHOCK TRUSS	1	PC	
74	1-HOLE NO. 30 DRILL THROUGH SHOCK CORD COVER FLANGE ON SHOCK TRUSS	1	PC	
75	1-HOLE NO. 30 DRILL THROUGH SHOCK CORD COVER FLANGE ON SHOCK TRUSS	1	PC	
76	1-HOLE NO. 30 DRILL THROUGH SHOCK CORD COVER FLANGE ON SHOCK TRUSS	1	PC	
77	1-HOLE NO. 30 DRILL THROUGH SHOCK CORD COVER FLANGE ON SHOCK TRUSS	1	PC	
78	1-HOLE NO. 30 DRILL THROUGH SHOCK CORD COVER FLANGE ON SHOCK TRUSS	1	PC	
79	1-HOLE NO. 30 DRILL THROUGH SHOCK CORD COVER FLANGE ON SHOCK TRUSS	1	PC	
80	1-HOLE NO. 30 DRILL THROUGH SHOCK CORD COVER FLANGE ON SHOCK TRUSS	1	PC	
81	1-HOLE NO. 30 DRILL THROUGH SHOCK CORD COVER FLANGE ON SHOCK TRUSS	1	PC	
82	1-HOLE NO. 30 DRILL THROUGH SHOCK CORD COVER FLANGE ON SHOCK TRUSS	1	PC	
83	1-HOLE NO. 30 DRILL THROUGH SHOCK CORD COVER FLANGE ON SHOCK TRUSS	1	PC	
84	1-HOLE NO. 30 DRILL THROUGH SHOCK CORD COVER FLANGE ON SHOCK TRUSS	1	PC	
85	1-HOLE NO. 30 DRILL THROUGH SHOCK CORD COVER FLANGE ON SHOCK TRUSS	1	PC	
86	1-HOLE NO. 30 DRILL THROUGH SHOCK CORD COVER FLANGE ON SHOCK TRUSS	1	PC	
87	1-HOLE NO. 30 DRILL THROUGH SHOCK CORD COVER FLANGE ON SHOCK TRUSS	1	PC	
88	1-HOLE NO. 30 DRILL THROUGH SHOCK CORD COVER FLANGE ON SHOCK TRUSS	1	PC	
89	1-HOLE NO. 30 DRILL THROUGH SHOCK CORD COVER FLANGE ON SHOCK TRUSS	1	PC	
90	1-HOLE NO. 30 DRILL THROUGH SHOCK CORD COVER FLANGE ON SHOCK TRUSS	1	PC	
91	1-HOLE NO. 30 DRILL THROUGH SHOCK CORD COVER FLANGE ON SHOCK TRUSS	1	PC	
92	1-HOLE NO. 30 DRILL THROUGH SHOCK CORD COVER FLANGE ON SHOCK TRUSS	1	PC	
93	1-HOLE NO. 30 DRILL THROUGH SHOCK CORD COVER FLANGE ON SHOCK TRUSS	1	PC	
94	1-HOLE NO. 30 DRILL THROUGH SHOCK CORD COVER FLANGE ON SHOCK TRUSS	1	PC	
95	1-HOLE NO. 30 DRILL THROUGH SHOCK CORD COVER FLANGE ON SHOCK TRUSS	1	PC	
96	1-HOLE NO. 30 DRILL THROUGH SHOCK CORD COVER FLANGE ON SHOCK TRUSS	1	PC	
97	1-HOLE NO. 30 DRILL THROUGH SHOCK CORD COVER FLANGE ON SHOCK TRUSS	1	PC	
98	1-HOLE NO. 30 DRILL THROUGH SHOCK CORD COVER FLANGE ON SHOCK TRUSS	1	PC	
99	1-HOLE NO. 30 DRILL THROUGH SHOCK CORD COVER FLANGE ON SHOCK TRUSS	1	PC	
100	1-HOLE NO. 30 DRILL THROUGH SHOCK CORD COVER FLANGE ON SHOCK TRUSS	1	PC	

ITEM NO.	DESCRIPTION	QTY	UNIT	REMARKS
1	1-HOLE NO. 27 DRILL	1	PC	
2	2-HOLES NO. 41 DRILL CSK (R20) X 20 MAX DIA	2	PC	
3	2-HOLES NO. 11 DRILL	2	PC	
4	1-HOLE NO. 43 DRILL THROUGH UPPER SCREEN BRACKET	1	PC	
5	1-HOLE NO. 30 DRILL THROUGH SHOCK CORD COVER FLANGE	1	PC	
6	1-HOLE NO. 30 DRILL THROUGH SHOCK CORD COVER FLANGE ON SHOCK TRUSS	1	PC	
7	1-HOLE NO. 30 DRILL THROUGH SHOCK CORD COVER FLANGE ON SHOCK TRUSS	1	PC	
8	1-HOLE NO. 30 DRILL THROUGH SHOCK CORD COVER FLANGE ON SHOCK TRUSS	1	PC	
9				