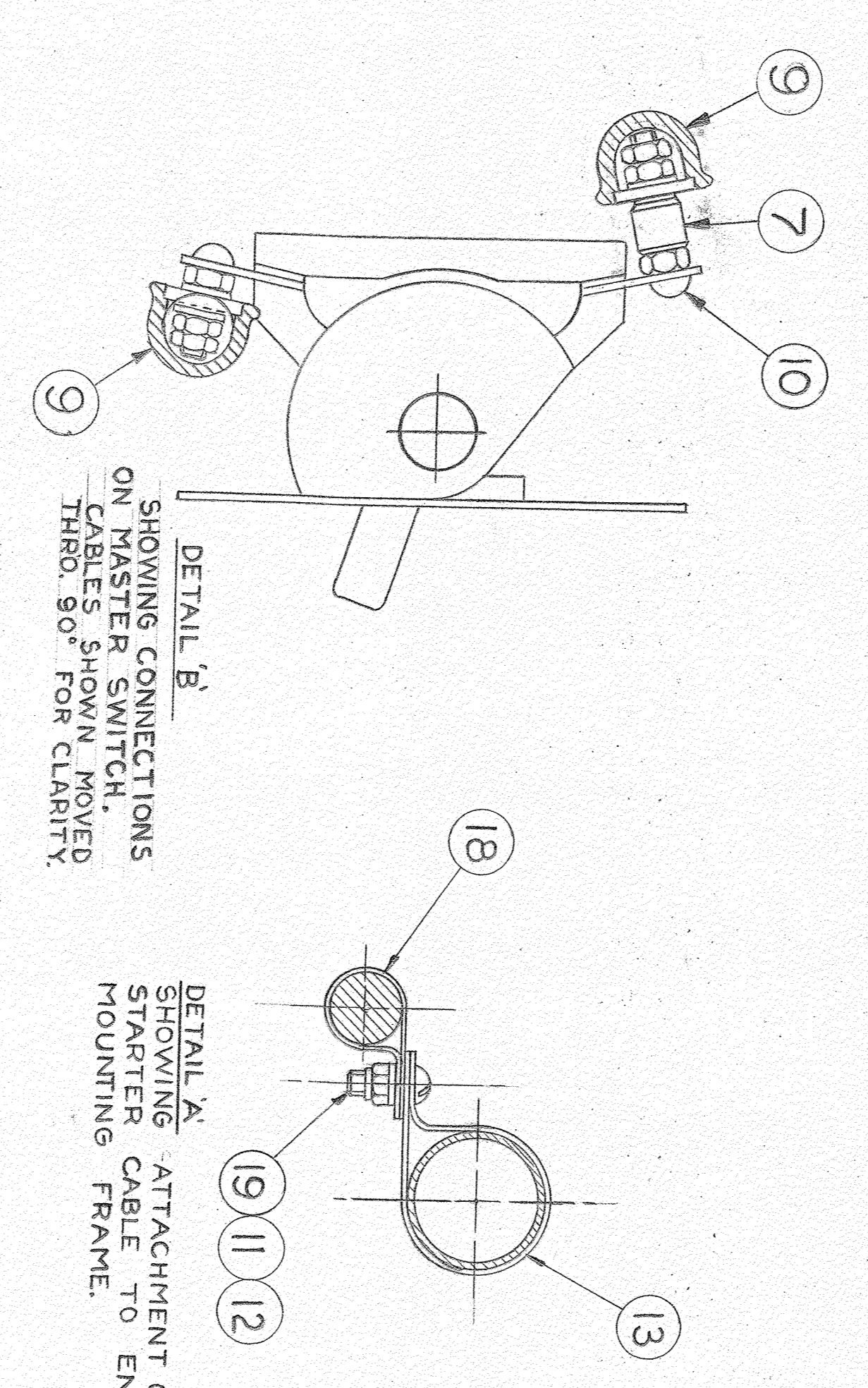
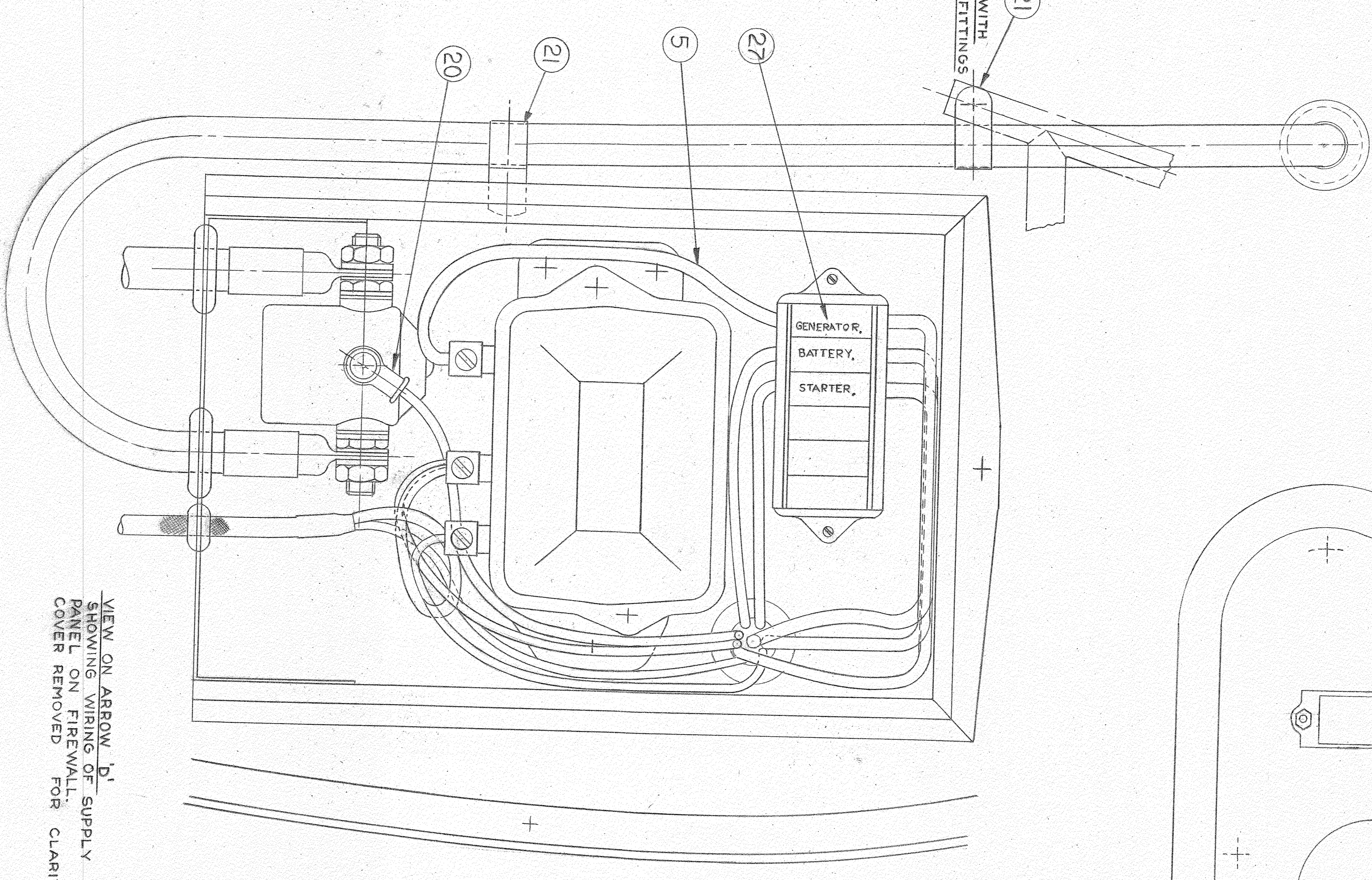
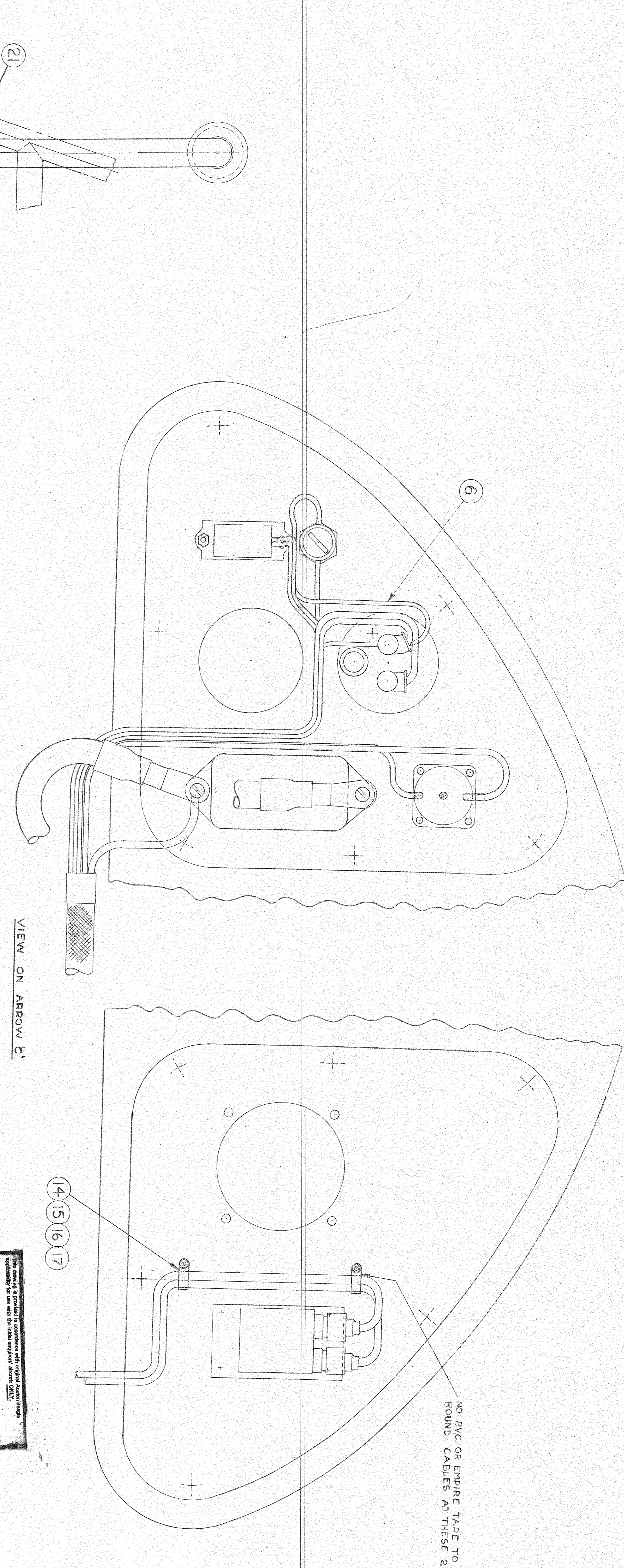


REF. NOTE
ON FIRST AIRCRAFT (G.A.L.X.Z) TO BE MODIFIED
THE CABLE LOOPS CARRYING ELECTRICAL
& PASSED ACROSS FIREWALL OF ELECTRICAL
CABIN THRO FIBRE BLOCK ON STRB. SIDE OF
FIREWALL.



FRG. WIRING DIAGRAM - DRG. NO. D.1286.
BATTERY INSTALLATION - DRG. NO. EJA.3183.
EQUIPMENT ON FIREWALL - DRG. NO. EJA.3183.
NOTES
THE GENERATOR & STARTER ARE EARTHED THRO THEIR MOUNTINGS.
WHEN WIRING CABLES NOT FITTED WITH TAGS TO TERMINAL SCREWS/POSTS TO FOLLOW THE LEFT SIDE OF THE PIPE WHEN TIGHTENING.
CLIPS UNLESS EMPRE TAP TO BE FITTED ROUND CABLES AT CABLES AT REAR OF SUB-PANELS. BE BUNGLED TOGETHER & STRAPPED WITH HELLERMAN CABLE STRAPPING FOR ITEM 10.

TYPE	PROJECTIVE TREATMENT	SCALE	ASST. NO.	DATE	BY	CHKD.
PH. 5		1/2"	1/2"			

4187 MOD. No. 1
G.A. OF ELECTRICAL SYSTEMS - 0-254, A7
3
4
5
6
7

BEAGLE AIRCRAFT LIMITED LEICESTER.
PART NO. U.L. 706775.
REVISIONS
NO. DATE BY REASON
1 1/27/52 J. VANDERLIN
2 1/27/52 J. VANDERLIN
3 1/27/52 J. VANDERLIN
4 1/27/52 J. VANDERLIN
5 1/27/52 J. VANDERLIN
6 1/27/52 J. VANDERLIN
7 1/27/52 J. VANDERLIN
8 1/27/52 J. VANDERLIN

NO.	DESCRIPTION	QTY.	REF. NO.	UNIT	REMARKS
1	1701520 CABLE 15	1	AK.535	1	
2	1701530 CABLE 15	1	AK.536	1	
3	1701540 CABLE 15	1	AK.537	1	
4	1701550 CABLE 15	1	AK.538	1	
5	1701560 CABLE 15	1	AK.539	1	
6	1701570 CABLE 15	1	AK.540	1	
7	1701580 CABLE 15	1	AK.541	1	
8	1701590 CABLE 15	1	AK.542	1	
9	1701600 CABLE 15	1	AK.543	1	
10	1701610 CABLE 15	1	AK.544	1	
11	1701620 CABLE 15	1	AK.545	1	
12	1701630 CABLE 15	1	AK.546	1	
13	1701640 CABLE 15	1	AK.547	1	
14	1701650 CABLE 15	1	AK.548	1	
15	1701660 CABLE 15	1	AK.549	1	
16	1701670 CABLE 15	1	AK.550	1	
17	1701680 CABLE 15	1	AK.551	1	
18	1701690 CABLE 15	1	AK.552	1	
19	1701700 CABLE 15	1	AK.553	1	
20	1701710 CABLE 15	1	AK.554	1	
21	1701720 CABLE 15	1	AK.555	1	
22	1701730 CABLE 15	1	AK.556	1	
23	1701740 CABLE 15	1	AK.557	1	
24	1701750 CABLE 15	1	AK.558	1	
25	1701760 CABLE 15	1	AK.559	1	
26	1701770 CABLE 15	1	AK.560	1	
27	1701780 CABLE 15	1	AK.561	1	
28	1701790 CABLE 15	1	AK.562	1	
29	1701800 CABLE 15	1	AK.563	1	
30	1701810 CABLE 15	1	AK.564	1	

