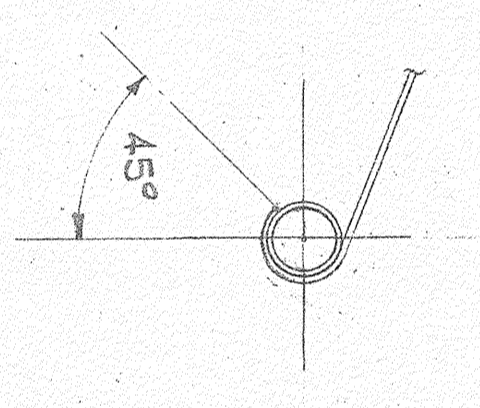
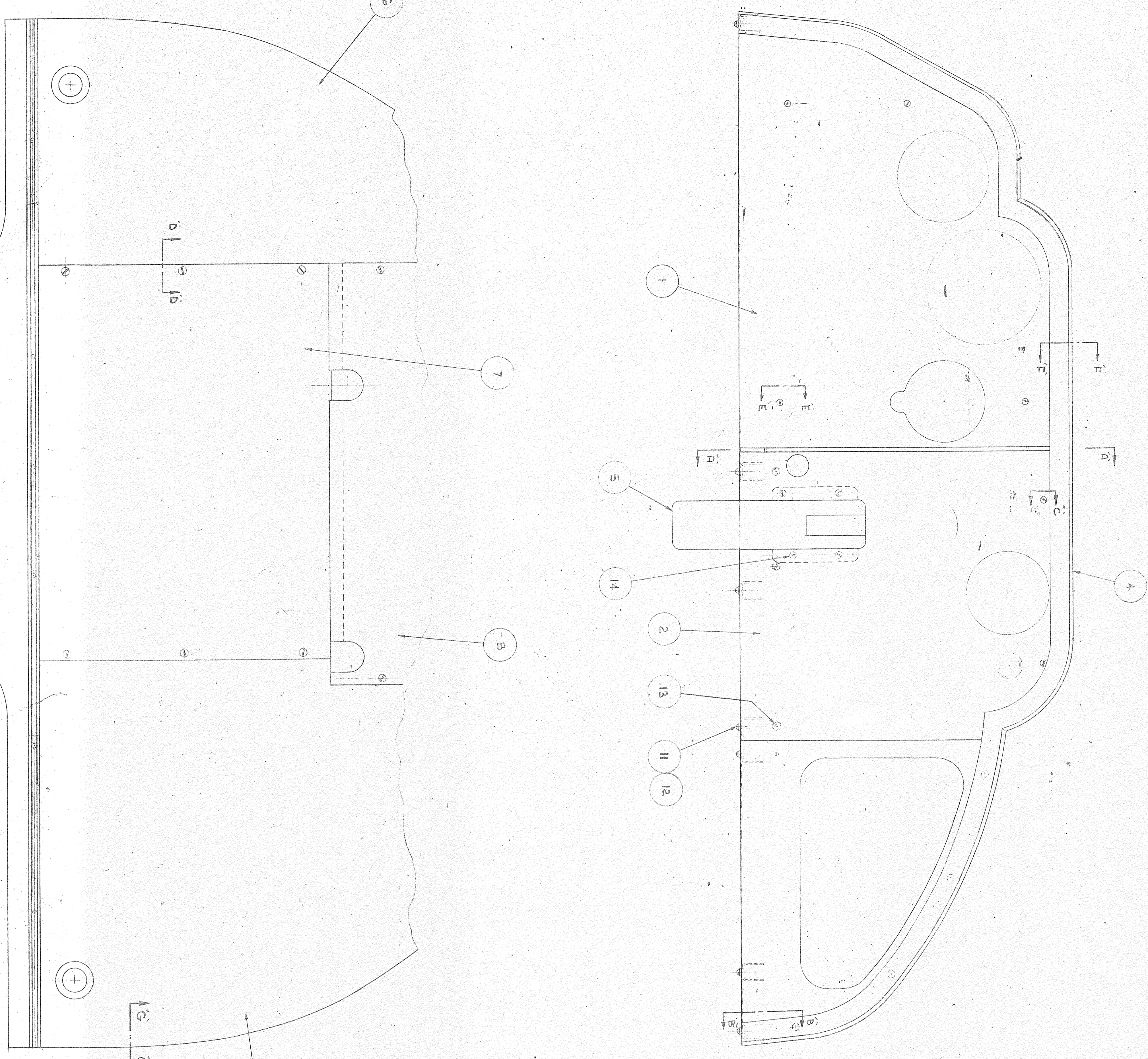
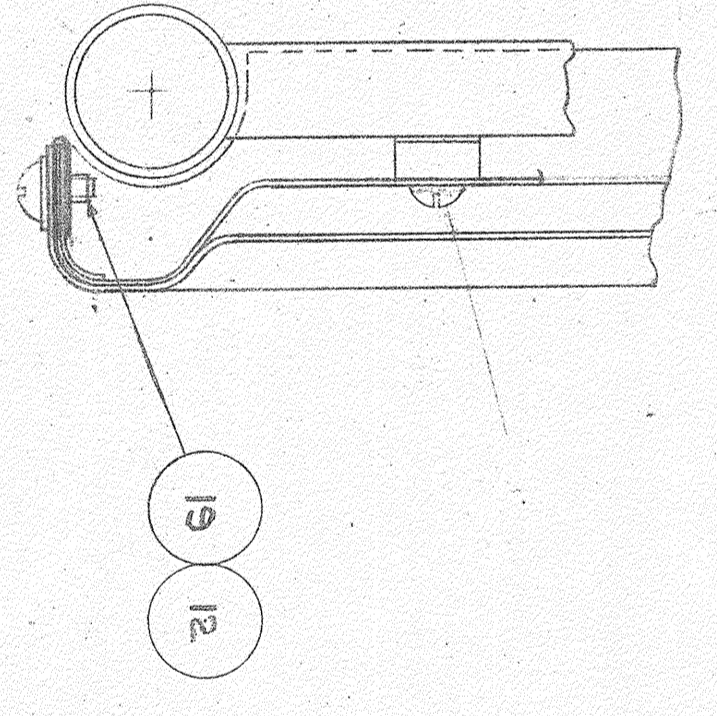


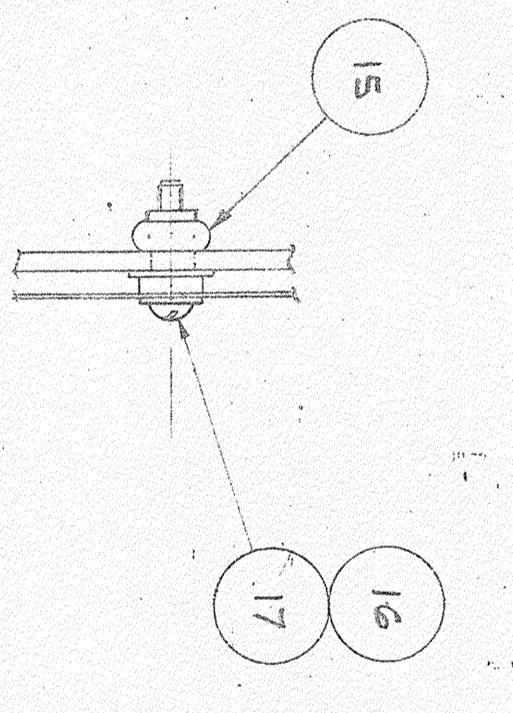
1. TO NOT SCALE DRAWING.
2. DIMENSIONS ARE IN MILLIMETERS.
3. DIMENSIONS IN PARENTHESES ARE IN INCHES.
4. DIMENSIONS IN BRACKETS ARE IN FEET AND INCHES.
5. DIMENSIONS IN SQUARE BRACKETS ARE IN FEET AND INCHES.
6. DIMENSIONS IN CIRCLES ARE IN INCHES.
7. DIMENSIONS IN TRIANGLES ARE IN INCHES.
8. DIMENSIONS IN DIAMONDS ARE IN INCHES.
9. DIMENSIONS IN OVALS ARE IN INCHES.
10. DIMENSIONS IN PARALLELOGRAMS ARE IN INCHES.
11. DIMENSIONS IN RECTANGLES ARE IN INCHES.
12. DIMENSIONS IN SQUARES ARE IN INCHES.
13. DIMENSIONS IN CIRCLES ARE IN INCHES.
14. DIMENSIONS IN TRIANGLES ARE IN INCHES.
15. DIMENSIONS IN DIAMONDS ARE IN INCHES.
16. DIMENSIONS IN OVALS ARE IN INCHES.
17. DIMENSIONS IN PARALLELOGRAMS ARE IN INCHES.
18. DIMENSIONS IN RECTANGLES ARE IN INCHES.
19. DIMENSIONS IN SQUARES ARE IN INCHES.
20. DIMENSIONS IN CIRCLES ARE IN INCHES.
21. DIMENSIONS IN TRIANGLES ARE IN INCHES.
22. DIMENSIONS IN DIAMONDS ARE IN INCHES.
23. DIMENSIONS IN OVALS ARE IN INCHES.
24. DIMENSIONS IN PARALLELOGRAMS ARE IN INCHES.
25. DIMENSIONS IN RECTANGLES ARE IN INCHES.
26. DIMENSIONS IN SQUARES ARE IN INCHES.
27. DIMENSIONS IN CIRCLES ARE IN INCHES.
28. DIMENSIONS IN TRIANGLES ARE IN INCHES.
29. DIMENSIONS IN DIAMONDS ARE IN INCHES.
30. DIMENSIONS IN OVALS ARE IN INCHES.



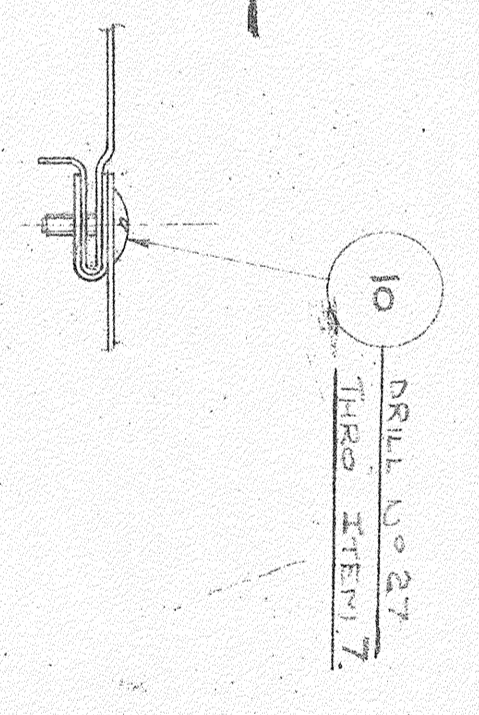
Section C-C



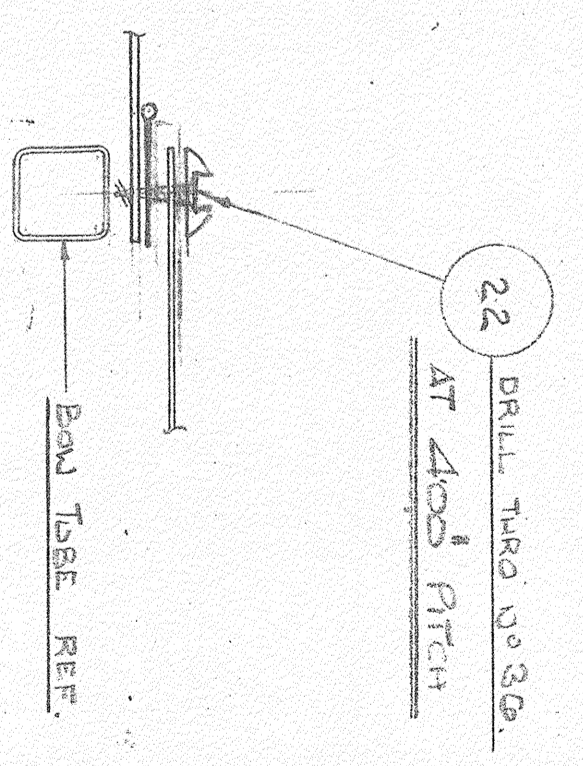
Section B-B



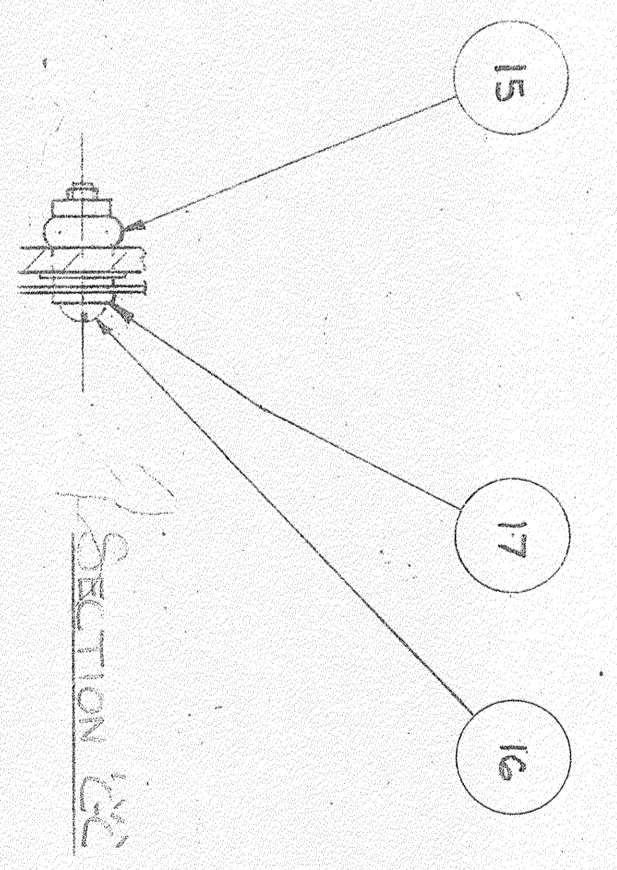
Section E-E



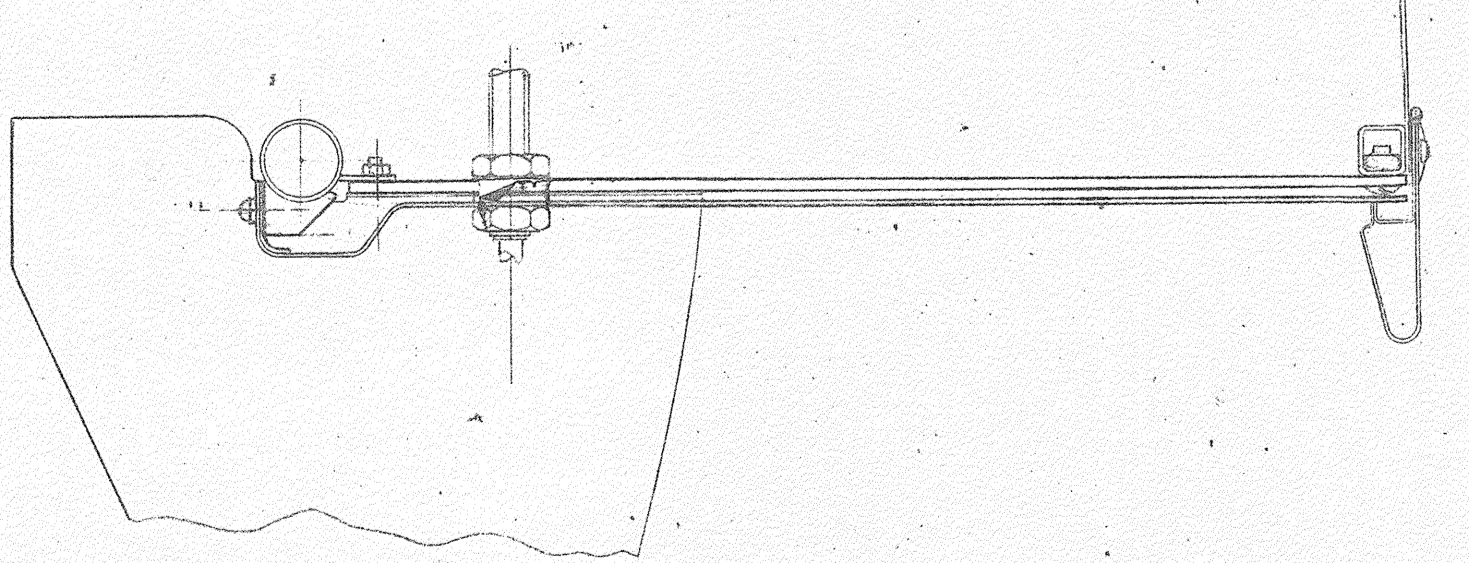
Section D-D



Section F-F



Section G-G



Section A-A

Having a positive and consistent use of the standard symbols for the identification of the various parts of the drawing is the responsibility of the drafter. The drafter should refer to the standard symbols for the identification of the various parts of the drawing and use them consistently throughout the drawing. The drafter should also refer to the standard symbols for the identification of the various parts of the drawing and use them consistently throughout the drawing.

1/8" = 1" (Scale)

NO.	DESCRIPTION	QTY.	UNIT	REMARKS
1	DRILLING			
2	DRILLING			
3	DRILLING			
4	DRILLING			
5	DRILLING			
6	DRILLING			
7	DRILLING			
8	DRILLING			
9	DRILLING			
10	DRILLING			
11	DRILLING			
12	DRILLING			
13	DRILLING			
14	DRILLING			
15	DRILLING			
16	DRILLING			
17	DRILLING			
18	DRILLING			
19	DRILLING			
20	DRILLING			
21	DRILLING			
22	DRILLING			
23	DRILLING			
24	DRILLING			
25	DRILLING			
26	DRILLING			
27	DRILLING			
28	DRILLING			
29	DRILLING			
30	DRILLING			

NO.	DESCRIPTION	QTY.	UNIT	REMARKS
1	DRILLING			
2	DRILLING			
3	DRILLING			
4	DRILLING			
5	DRILLING			
6	DRILLING			
7	DRILLING			
8	DRILLING			
9	DRILLING			
10	DRILLING			
11	DRILLING			
12	DRILLING			
13	DRILLING			
14	DRILLING			
15	DRILLING			
16	DRILLING			
17	DRILLING			
18	DRILLING			
19	DRILLING			
20	DRILLING			
21	DRILLING			
22	DRILLING			
23	DRILLING			
24	DRILLING			
25	DRILLING			
26	DRILLING			
27	DRILLING			
28	DRILLING			
29	DRILLING			
30	DRILLING			

PROTECTIVE TREATMENT: V.P. 1/2

SCALE: 1/8" = 1"

DATE: 1/1/50

DRAWN BY: J. G. B.

CHECKED BY: J. G. B.

APPROVED BY: J. G. B.

BEAGLE-AUSTER AIRCRAFT LTD. LIGGESTER.

TITLE: BAY COVER PARTS (COVER BOX) (BAY COVER)