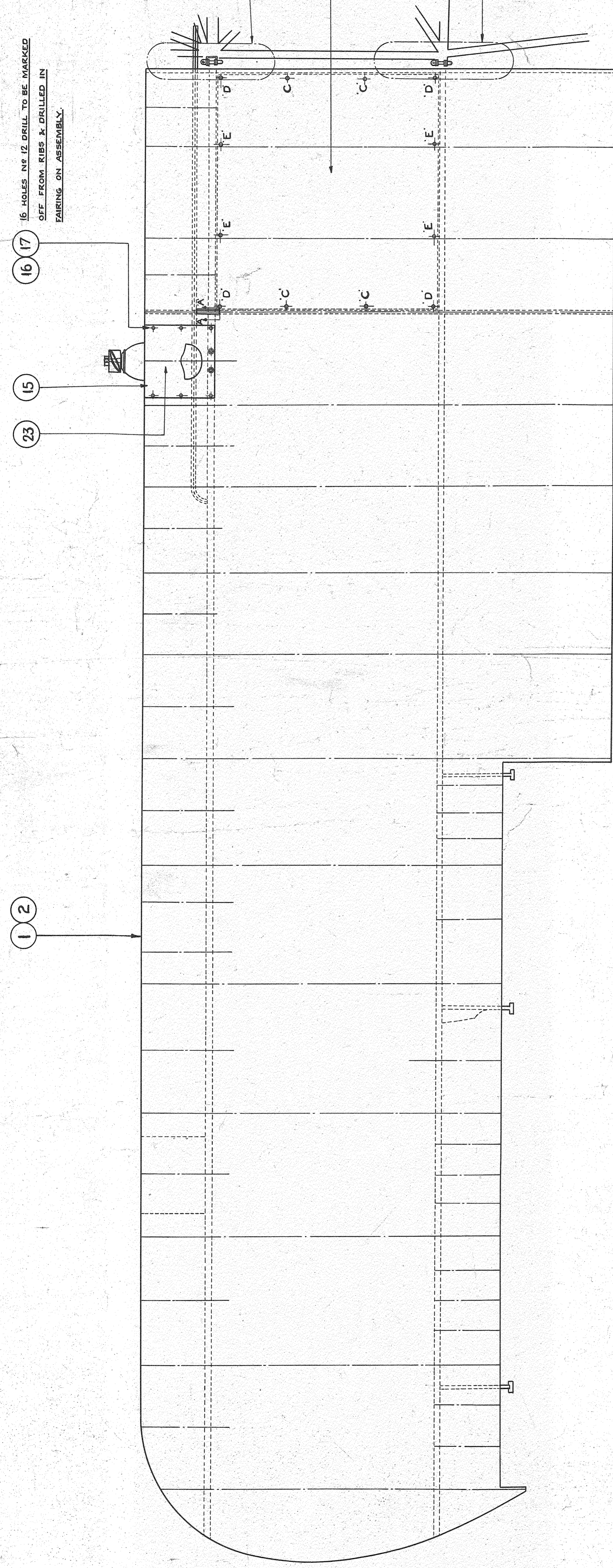


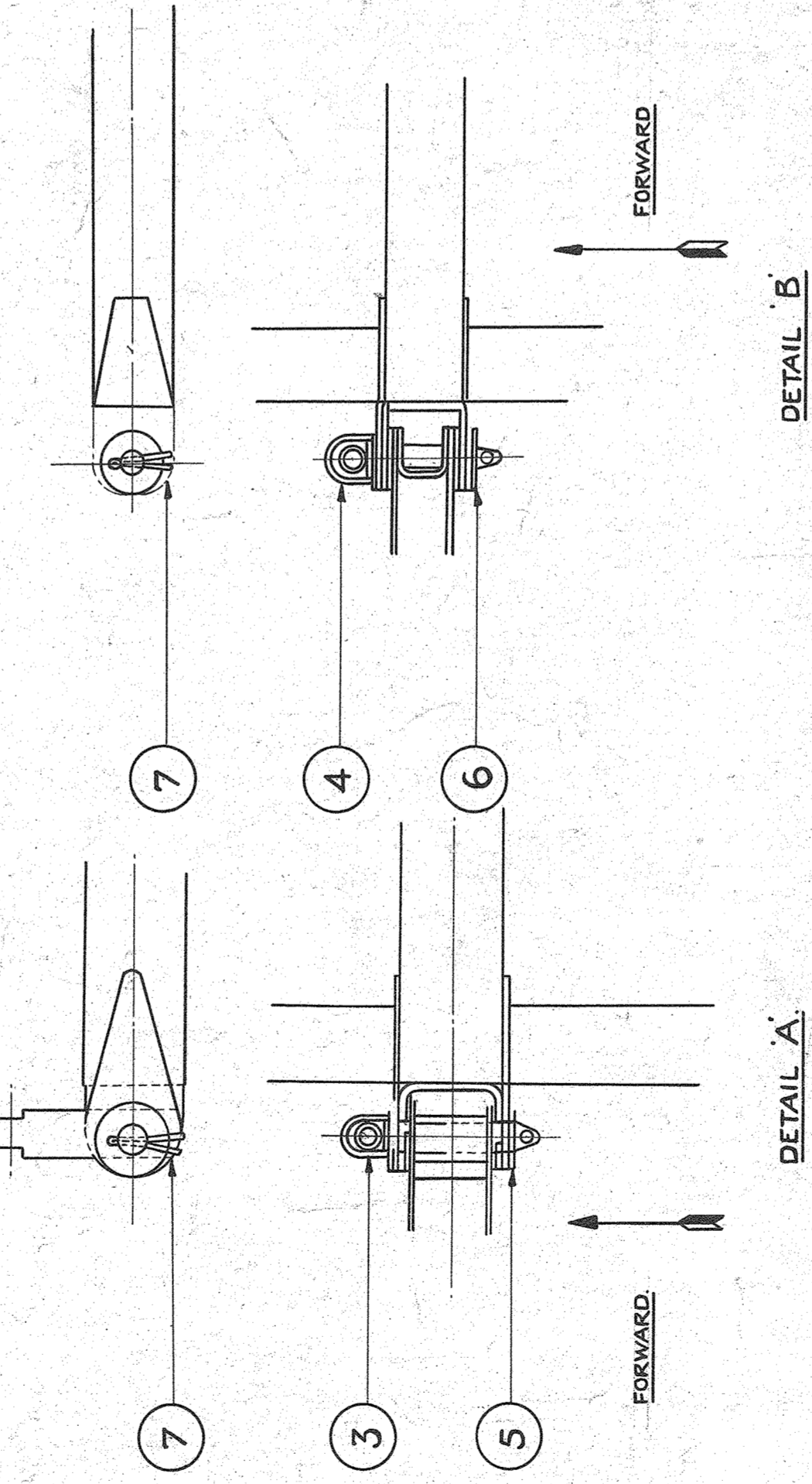
1. DO NOT SCALE DRAWING
 2. ENGLISH PROJECTION IS STATED, UNLESS OTHERWISE STATED.
 3. TOLERANCES ON DIMENSIONS UNLESS OTHERWISE STATED.
 4. IF IN DOUBT ABOUT THIS DRAWING, RING DRAWING OFFICE BEFORE COMMENCING OPERATIONS



16 HOLES NO. 12 DRILL TO BE MARKED OFF FROM RIBS & DRILLED IN FAIRINGS ON ASSEMBLY.

DETAIL A
FOR WING BOLT FITTINGS

DETAIL B
FOR WING BOLT FITTINGS

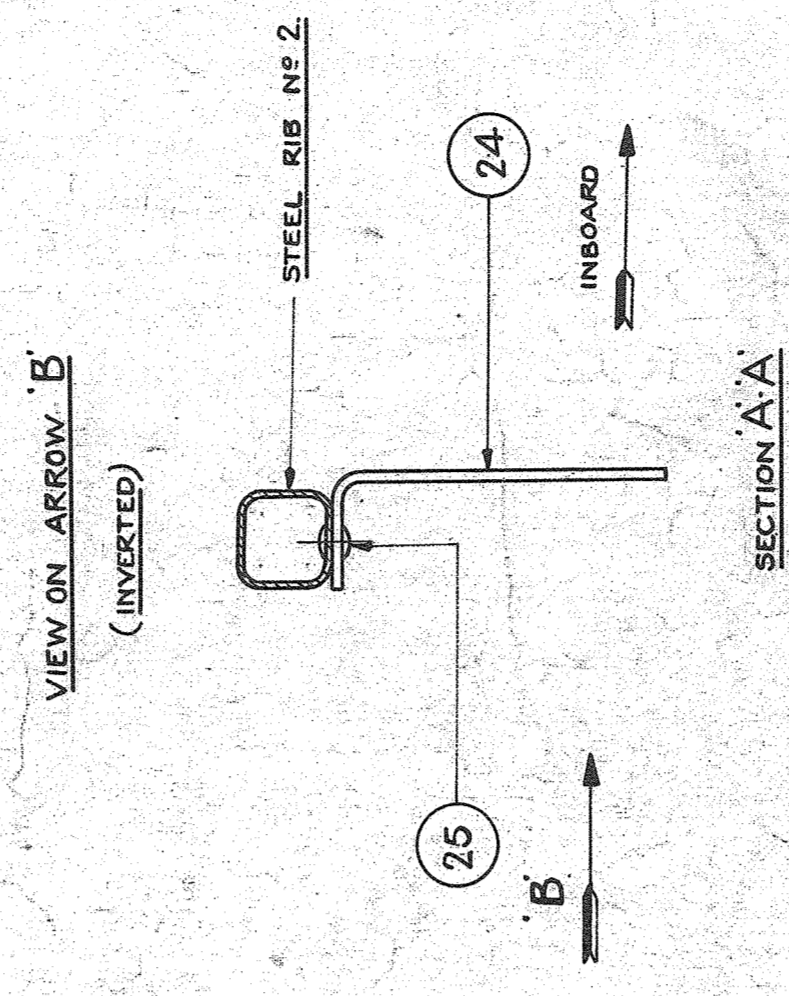


DETAIL A

DETAIL B

PART NO. KA 80886/L. DRG. NO. EKH 316/L. - PORT - AS DRAWN - WITHOUT GENERATOR.
 PART NO. KA 80886/R. DRG. NO. EKH 316/R. - STB'D. SYN. OPP. - WITH GENERATOR.

NOTE 1. TANK DOOR IS TO BE ASSEMBLED TO WING WITH ITEMS LISTED BELOW.
 AT EACH POSITION MARKED C WITH LOFF ITEMS 9 AND 10 OFF ITEM 10.
 AT EACH POSITION MARKED D WITH LOFF ITEMS 11 AND LOFF ITEM 12.
 AT EACH POSITION MARKED E WITH LOFF ITEMS 13 AND LOFF ITEM 14.



VIEW ON ARROW B
(INVERTED)

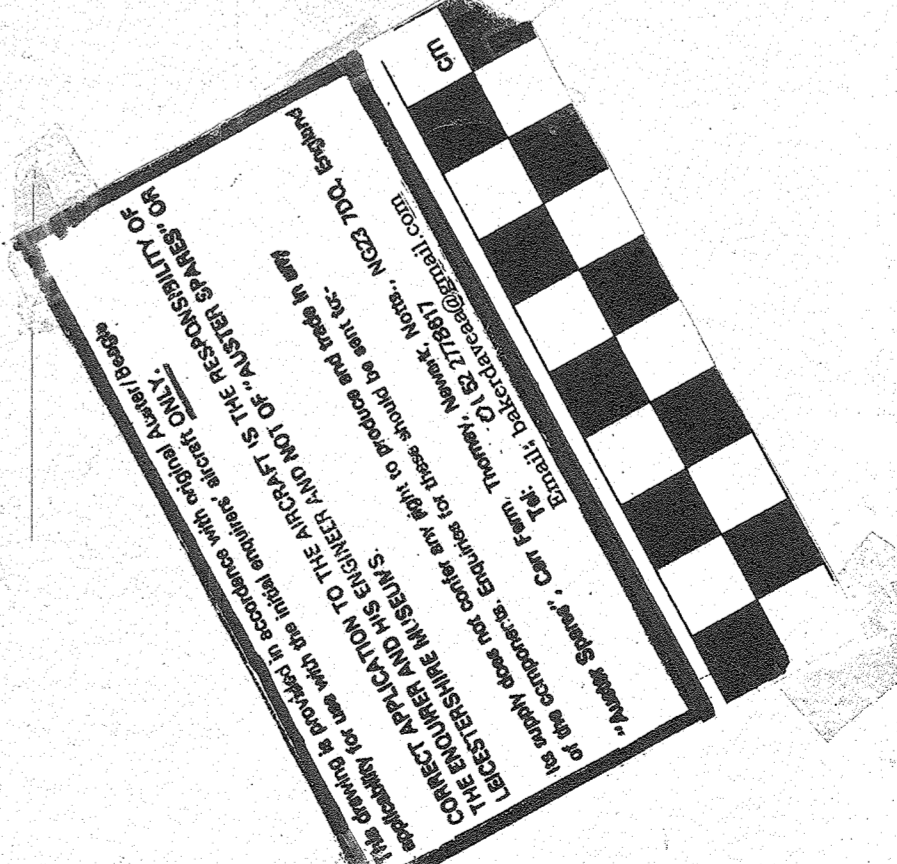
SECTION A-A

* ITEM 3 TO 7 INCLUSIVE ARE REFERENCED ON THE DRG. FOR SPARES PURPOSES ONLY THESE ITEMS ARE CALLED UP ON EK 29

DRG. NO. N 41 Q. 4. or N 42
 FOR ITEM 26

ITEM	QTY.	DESC.	REF.	UNIT	ASSEMBLY
27	1	R.H.			
26	1	R.H.			
25	1	R.H.			
24	1	R.H.			
23	1	R.H.			
22	1	R.H.			
21	1	R.H.			
20	1	R.H.			
19	1	R.H.			
18	1	R.H.			
17	1	R.H.			
16	1	R.H.			
15	1	R.H.			
14	1	R.H.			
13	1	R.H.			
12	1	R.H.			
11	1	R.H.			
10	1	R.H.			
9	1	R.H.			
8	1	R.H.			
7	1	R.H.			
6	1	R.H.			
5	1	R.H.			
4	1	R.H.			
3	1	R.H.			
2	1	R.H.			
1	1	R.H.			

PROTECTIVE TREATMENT	SCALE	DATE	BY	CHKD	APP.	RTG.
	1/8 FULL SIZE & 1/2 FULL SIZE					
DRAWN: DWYER		PART NO. KA 80886				
APPROVED: [Signature]		DRAWN: [Signature]				
AUSTER AIRCRAFT LTD. REARSBY, LEICESTER.		PART NKA 81116				
TITLE: G.A. OF WING (CANADIAN AUSTER)		DRAWN: EKH 305/7/R				



DATE	1 265 1795
BY	[Signature]
CHKD	[Signature]
APP.	[Signature]
RTG.	[Signature]