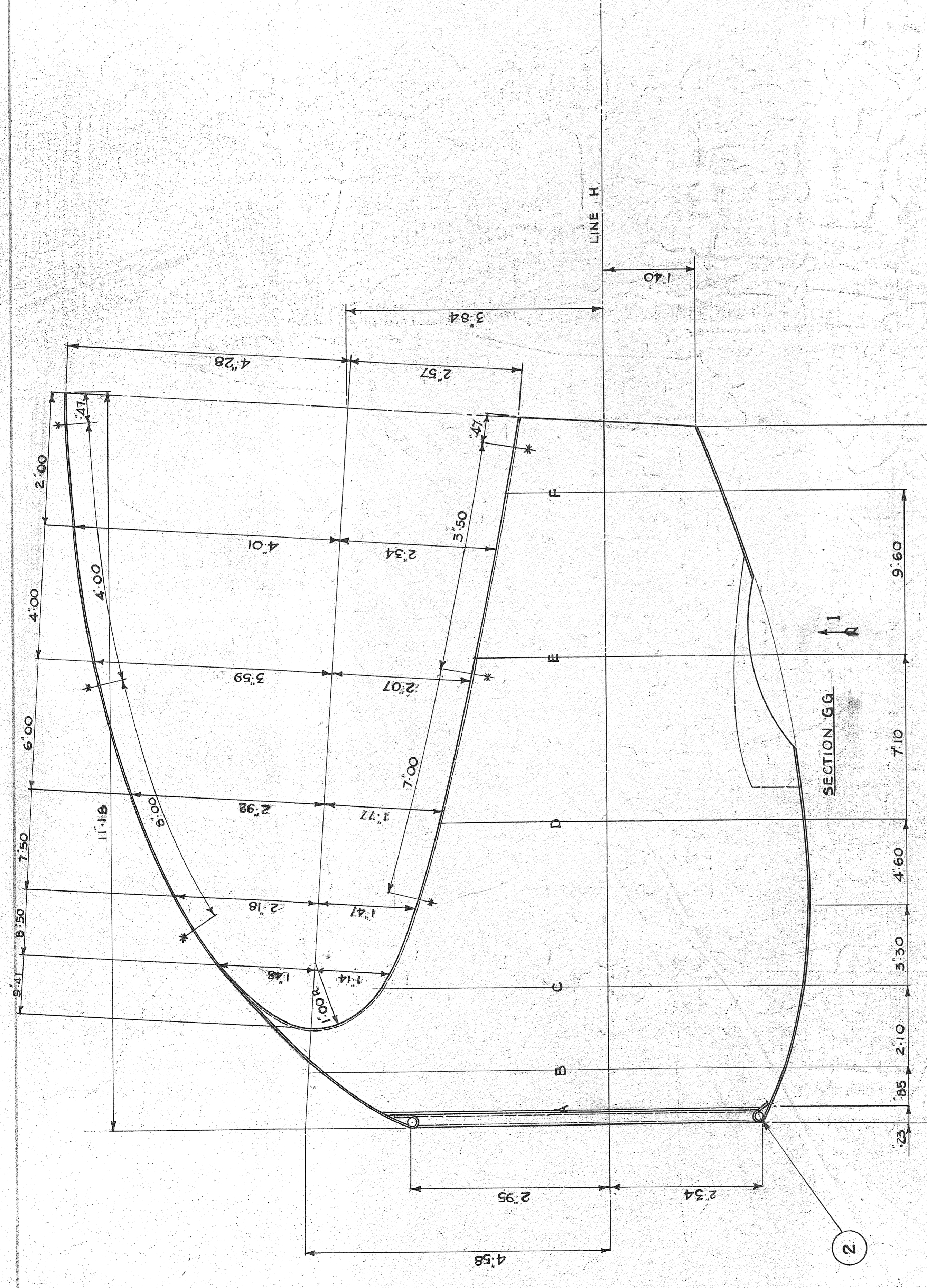
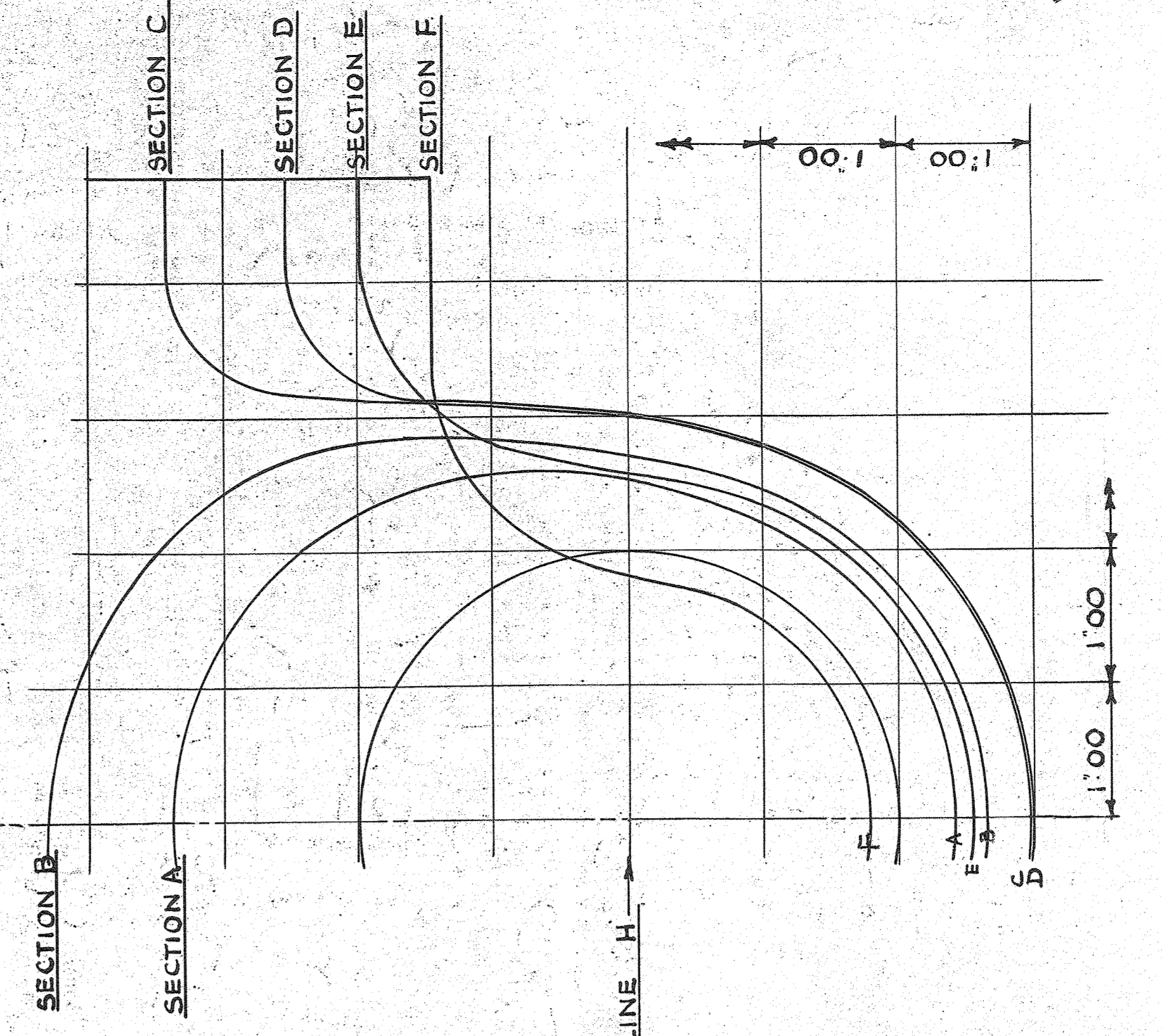
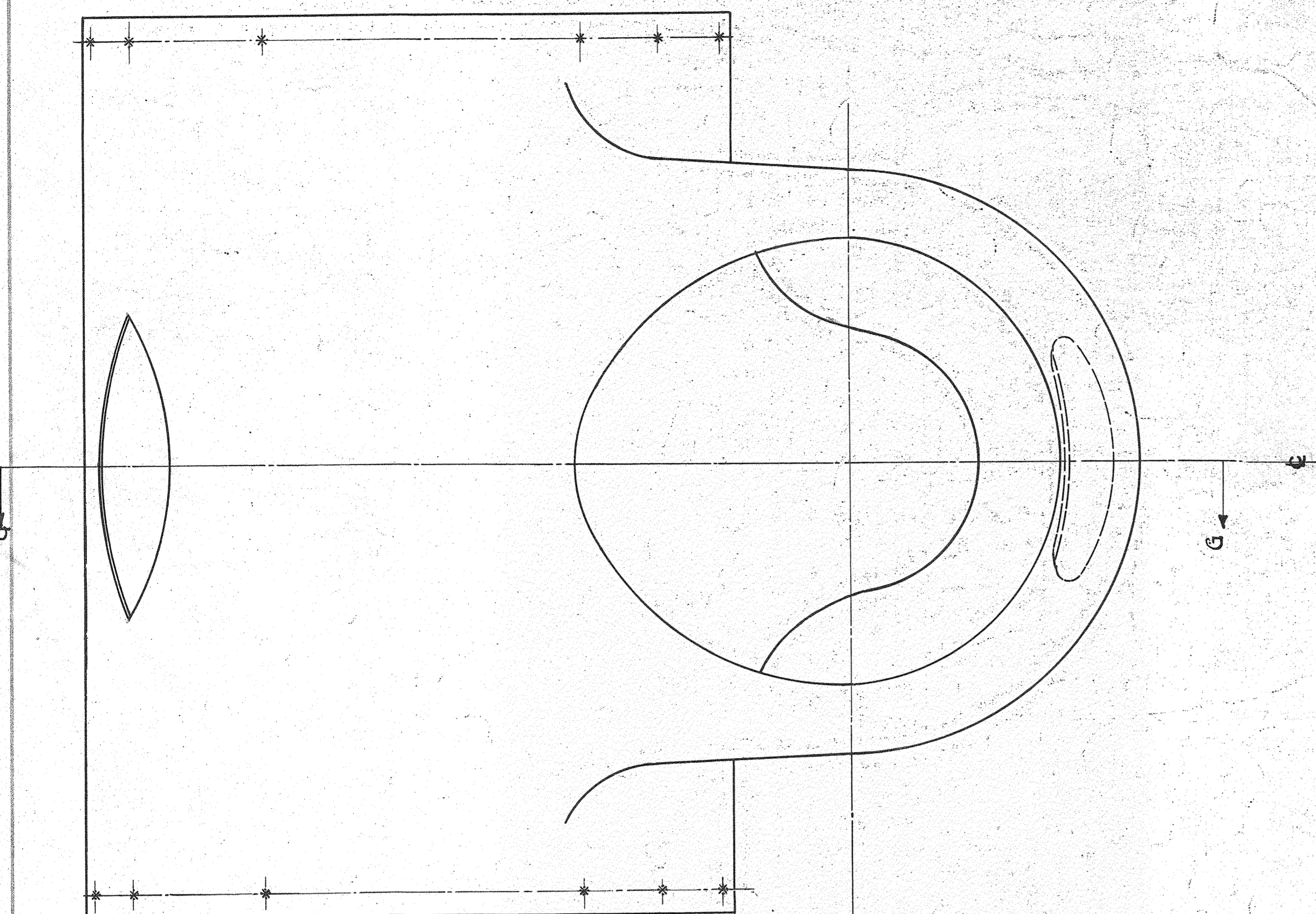
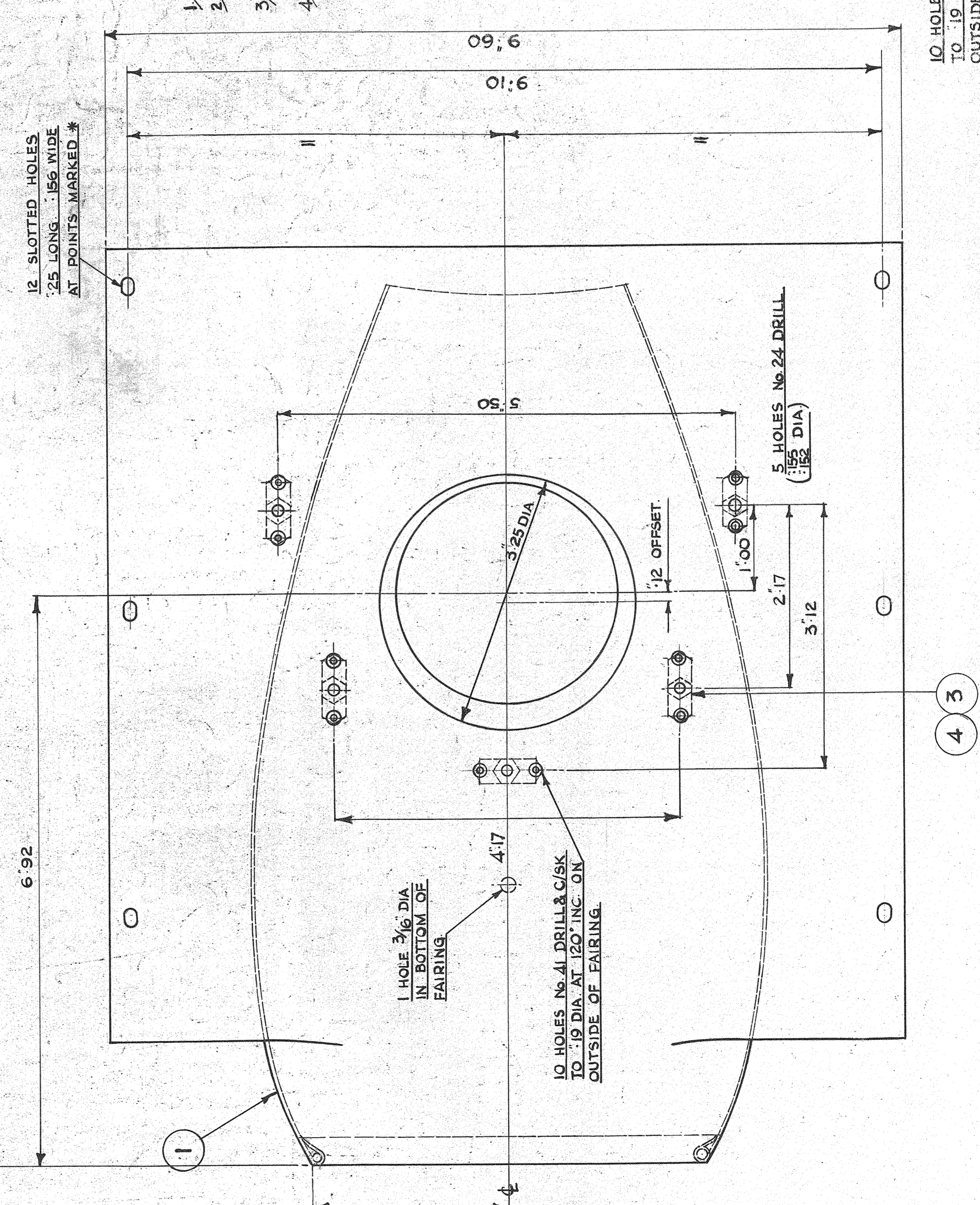
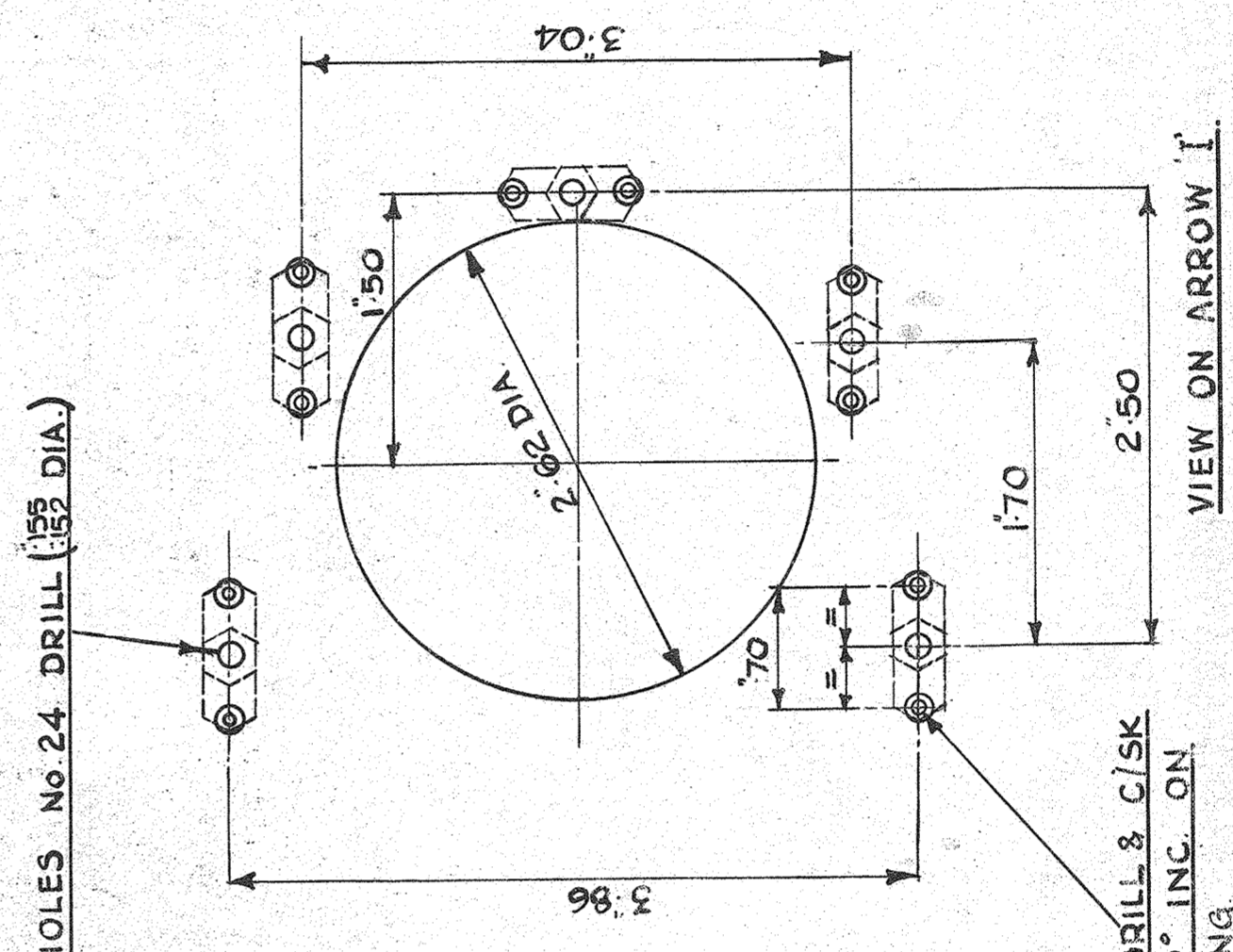


4	164/500	RIVET	ANCHOR NUT	10
3	B.N.I.	ODDIE WIRE	10 Q. WIRE	5.1
2	61074	22 G. SHEET	L. 16.	1.
1	61073	22 G. SHEET	L. 16.	1.

TAYLORCRAFT AEROPLANES (ENGLAND) LTD. LEICESTER.  
 TITLE 1. GENERATOR FAIRING  
 DRAWN BY KA B100  
 CHECKED BY EKH 360



- NOTE
1. PART IS SYMMETRICAL ABOUT LINE H.
  2. ALL DIMENSIONS ARE GIVEN TO INSIDE OF MATERIAL.
  3. ALL ORIGINATES SHOULD BE JOINED BY FREE FLOWING CURVES.
  4. DRAWING MAY BE SCALED FOR ALL DIMENSIONS NOT GIVEN.



1. NO. NOT SCALE DRAWING  
 2. ENGLISH PRESENTATION IS STATED UNLESS OTHERWISE STATED  
 3. TOLERANCES ON DIMENSIONS ARE AS STATED.  
 4. ALL DIMENSIONS ARE TO UNLESS OTHERWISE STATED.  
 DRAWING THIS DRAWING OPERATIONS OFFICE BEING COMMENCING

2	240	1493	A.M.T.
1	B	X	Mod. Internal Full. Unidirectional App. RTO

TYPE: AUSTER