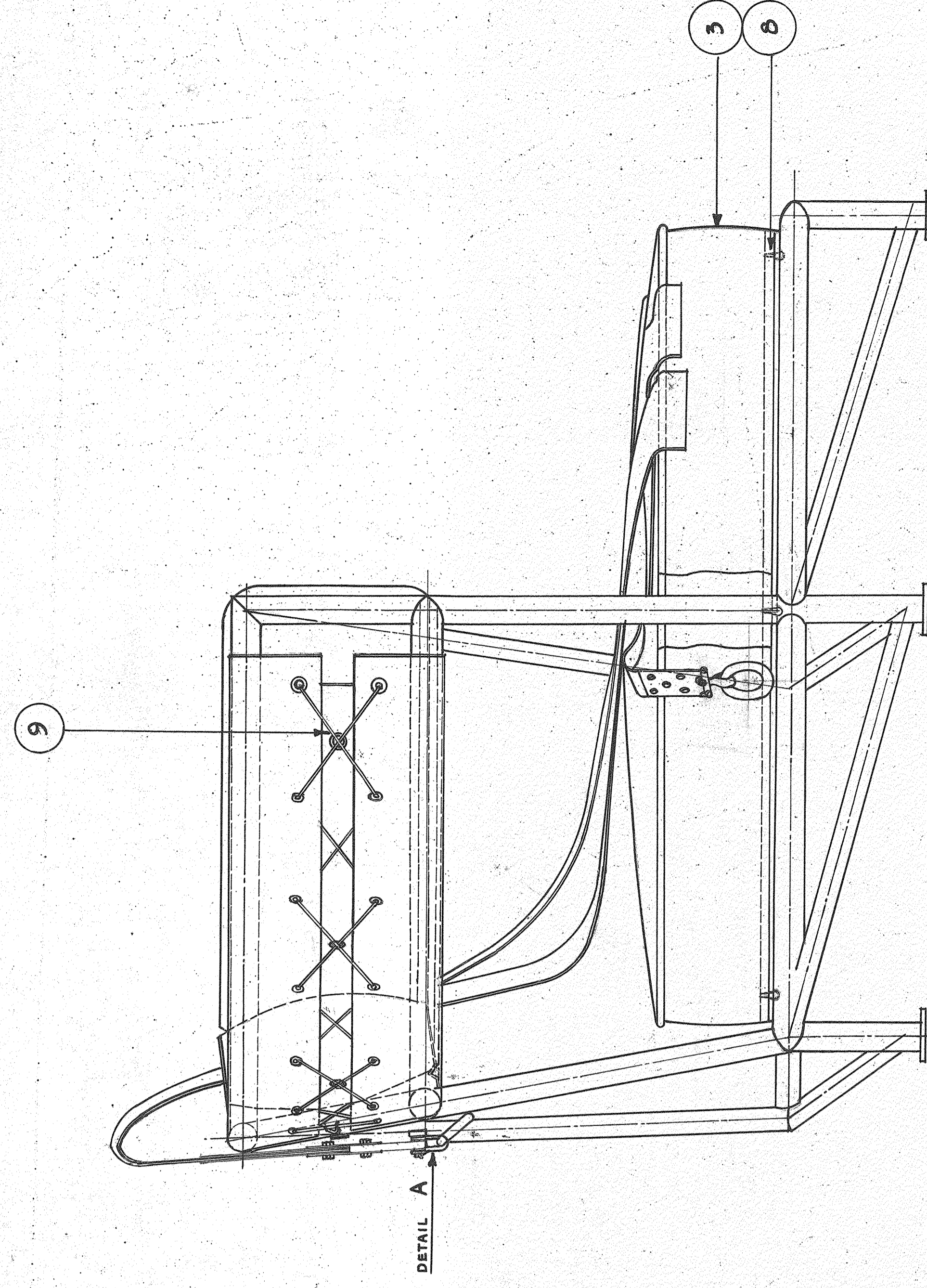
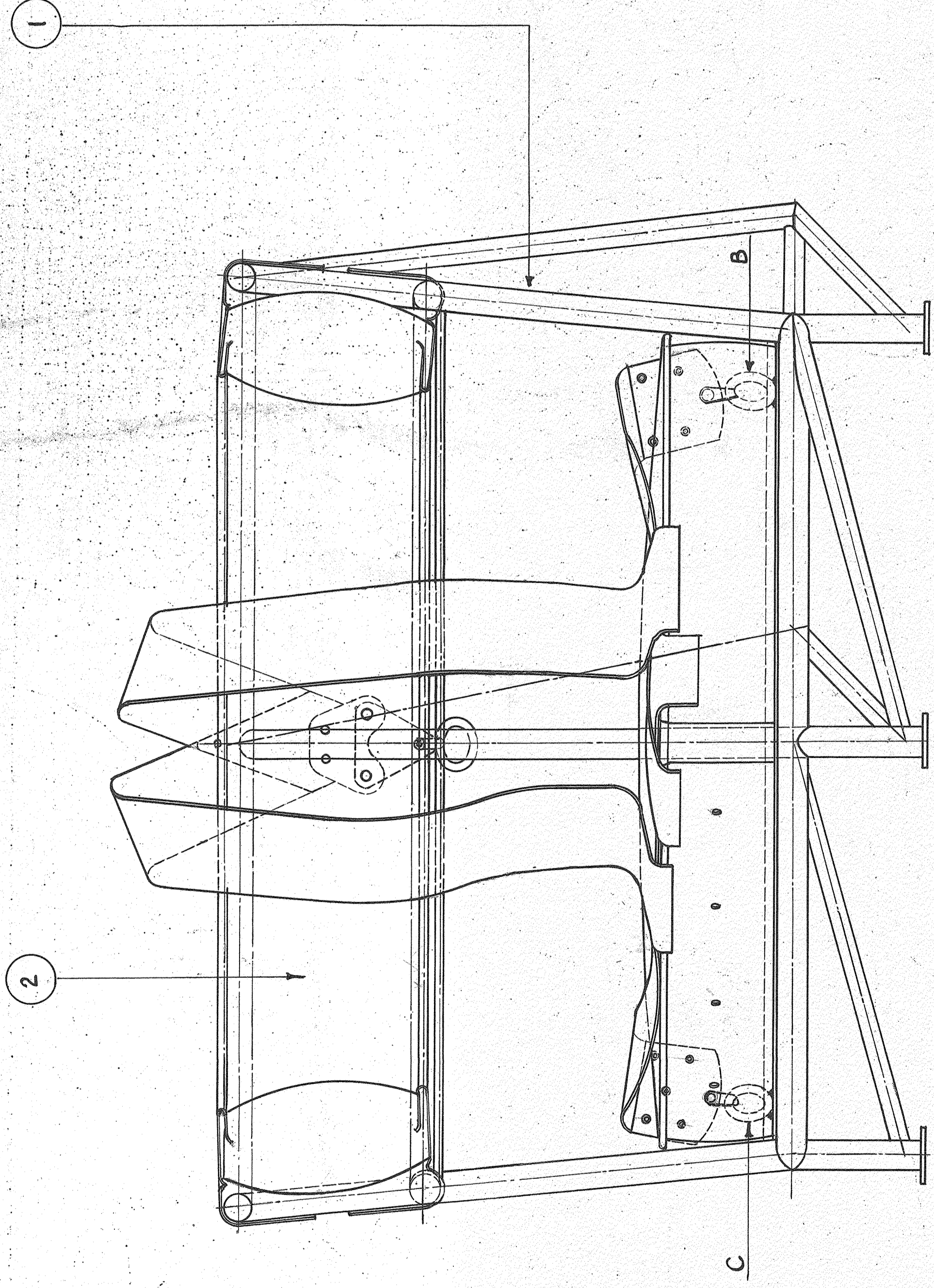
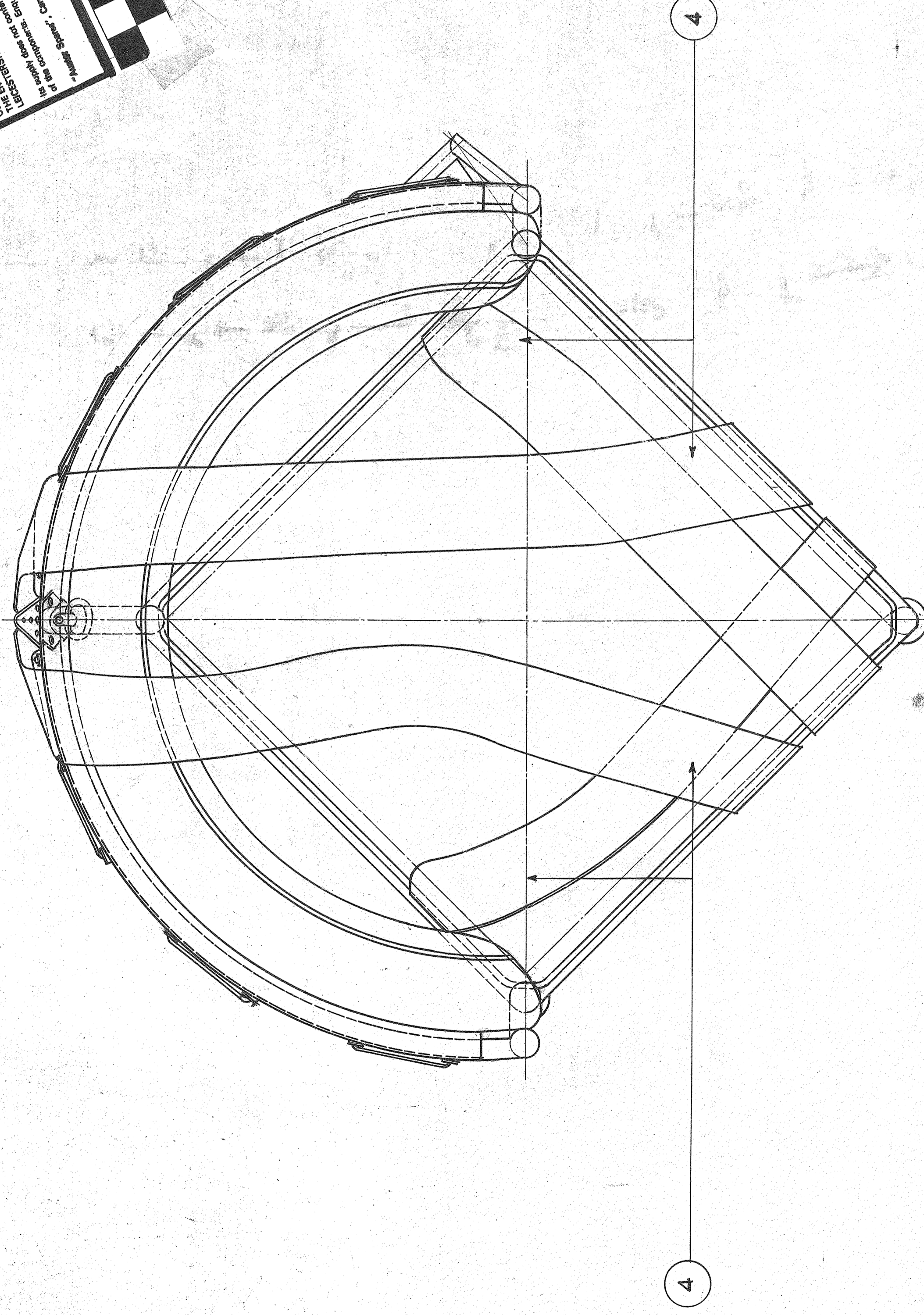
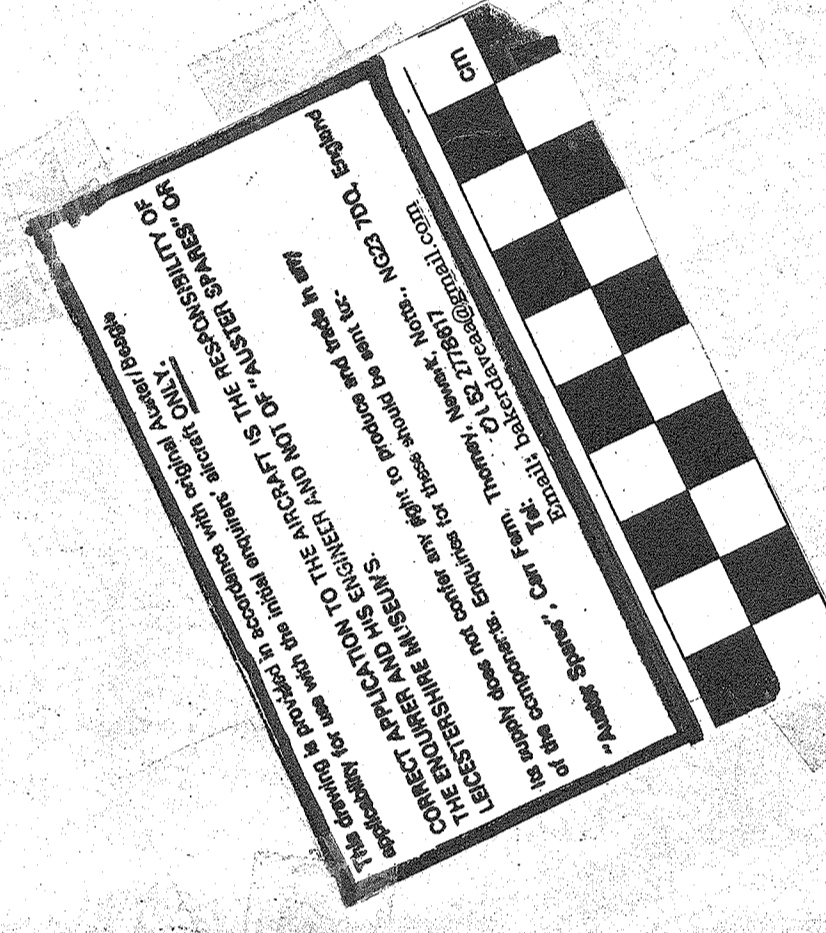


1. FOR ANY SCALE DRAWING  
 2. ENGLISH PRODUCTION IS  
 USED UNLESS OTHERWISE  
 STATED.  
 3. DIMENSIONS ARE + OR - OF  
 UNLESS OTHERWISE STATED.  
 4. DIMENSIONS ARE IN INCHES  
 UNLESS OTHERWISE STATED.  
 OPERATIONS



DETAIL A



THIS METHOD OF FIXING  
 HARNESS TO RING BOLT  
 IS THE SAME AT 'B' & 'C'

DETAIL A

NOTE :- ITEMS 4 & 10 ARE ALTERNATIVES  
 BUT ITEM 10 MUST BE FITTED  
 WHEN AVAILABLE.

#	IO	REF. NO.	QTY	DESCRIPTION	UNIT	REMARKS
	9	10	1	L.P. STRAPS, MILLS	1	
	8	10	1	CORD	AS REQUIRED	
	7	10	1	WOODSCREW	8	
	6	10	1	STEEL PIN	3	
	5	10	1	SAFETY PIN	3	
	4	10	1	SHACKLE	3	
	3	10	1	MILLS SAFETY HARNESSES	99	
	2	10	1	REAR SEAT CUSHION	AG 24	
	1	10	1	SEAT BACK CUSHION	AG 103	
	1	10	1	SEAT FRAME	EKG 292	

ISSUE	1	240	1493	A.H.T.
APPROVED BY				
INTERNAL APPROVED BY				
EXTERNAL APPROVED BY				

TYPE: AUSTR

PROTECTIVE TREATMENT	Asy. No. DKG 281
SCALE	1/2 & 1/1
TAYLORCRAFT AEROPLANES (ENGLAND) LTD	LEICESTER
TITLE	ASSEMBLY OF REAR SEAT (AUSTR)
DESIGNED BY	C.M. YOUNG
CHECKED BY	
APPROVED BY	
PART NO	KA72363
REVISED	
DATE	
DRG. NO.	EKG 283