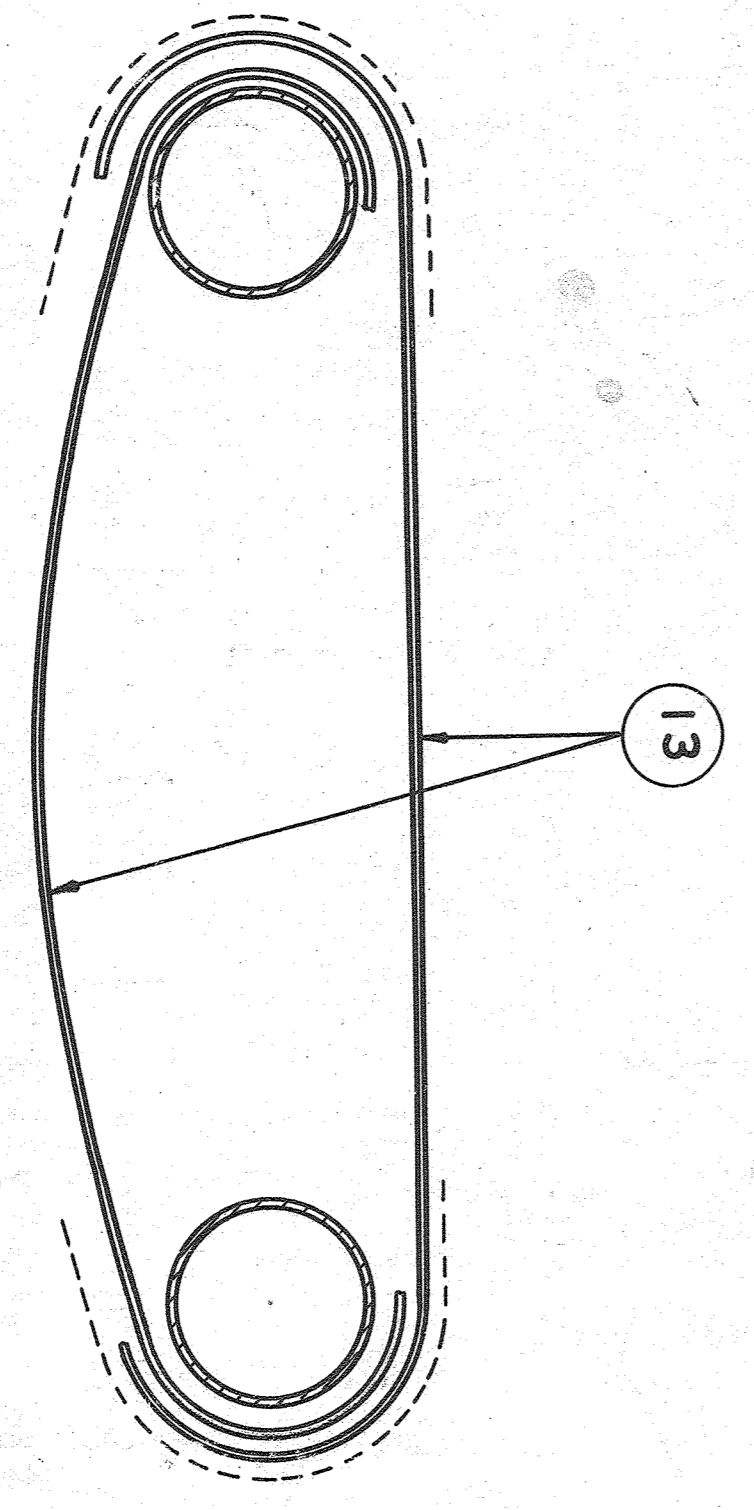
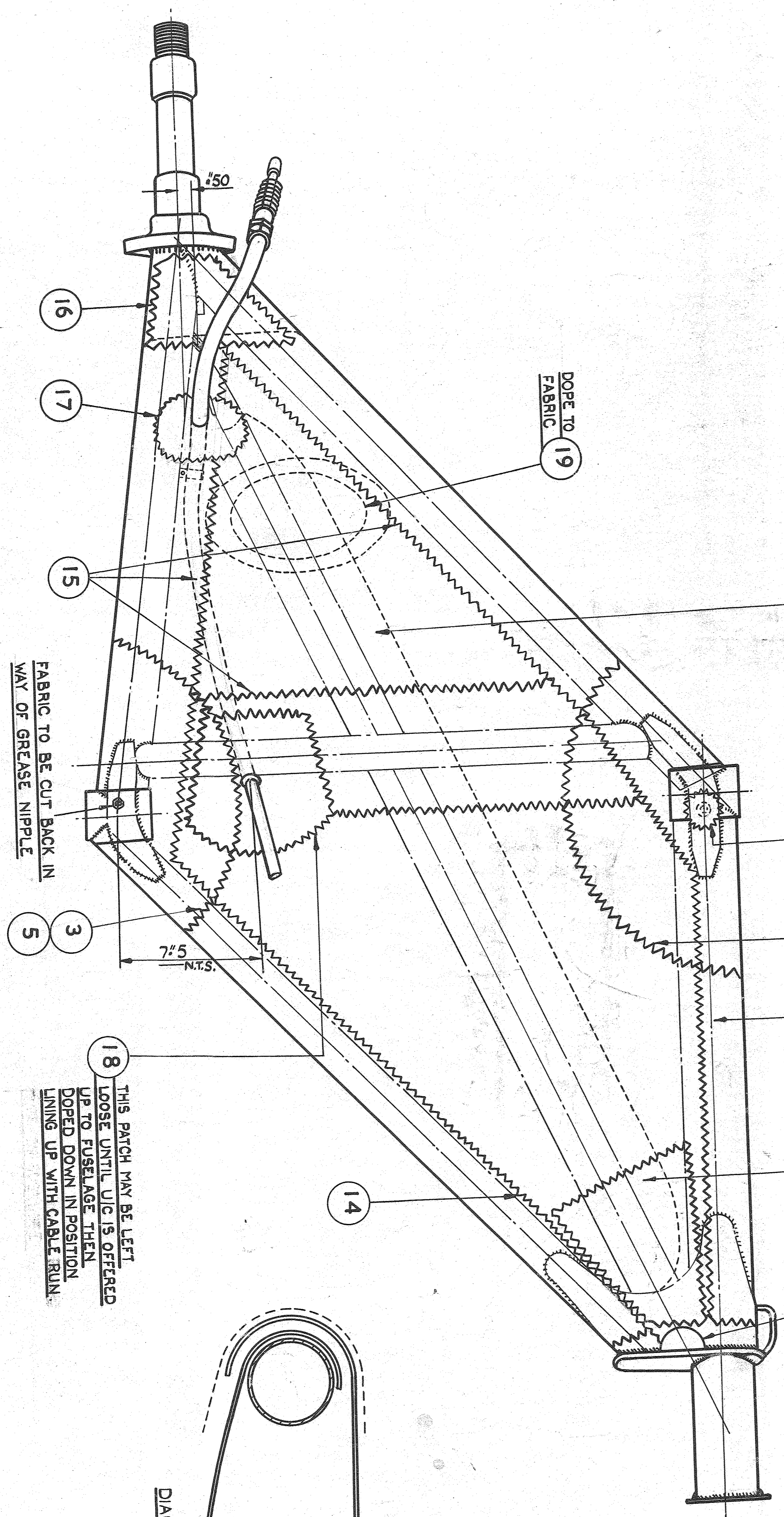
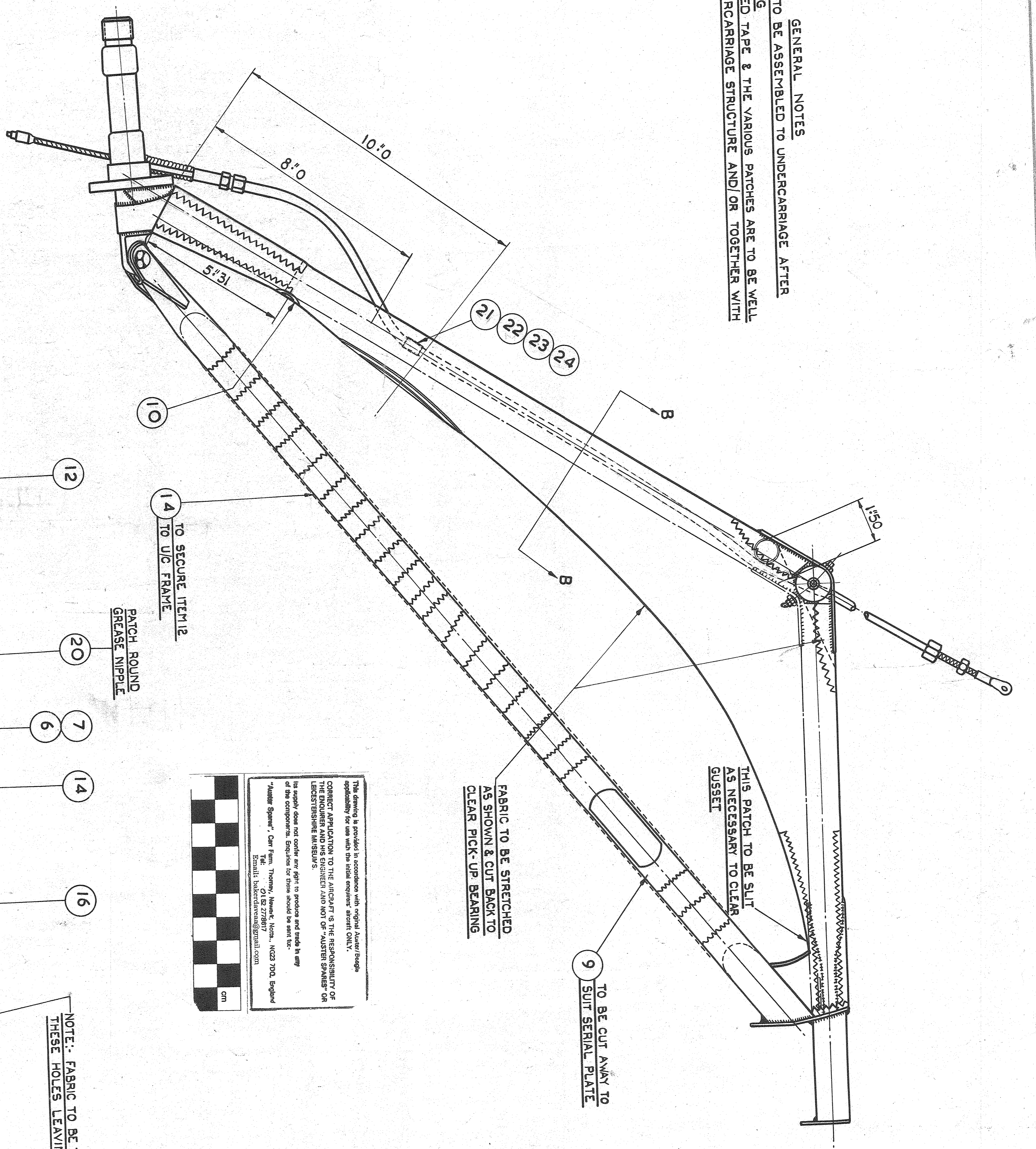


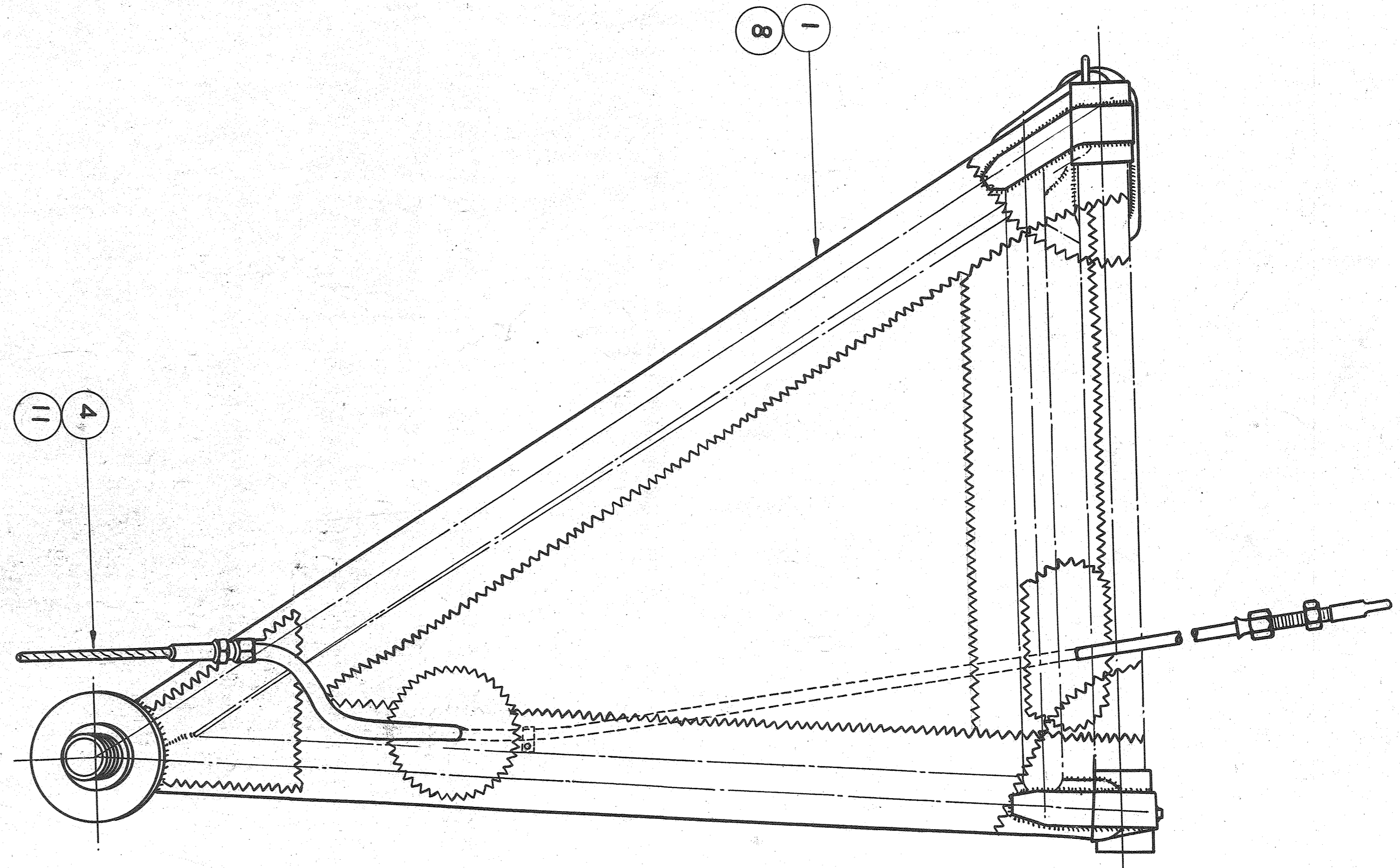
1. DO NOT SCALE DRAWING
 2. USED UNLESS OTHERWISE
 3. STATED ON
 4. UNLESS OTHERWISE STATED,
 5. DRAWING IS TO BE COMMENCED
 OPERATIONS

- GENERAL NOTES**
1. BRAKE BRAKES TO BE ASSEMBLED TO UNDERCARRIAGE AFTER FABRIC COVERING
 2. FABRIC SEPARATED TAPE & THE VARIOUS PATCHES ARE TO BE WELL DOPED TO UNDERCARRIAGE STRUCTURE AND/OR TOGETHER WITH CLEAR DOPE



DIAGRAMMATIC SECTION A-A
 (NOT TO SCALE)

FABRIC TO SPEC. D.T.D. 540 IS SHOWN THUS. ---
 SEPARATED TAPE TO SPEC. D.T.D. 540 IS SHOWN THUS. - - -



EKE 248/R PART NO. KA51248/R AS DRAWN. STD.
 EKE 248/L PART NO. KA51248/L OPF. HAND. PORT

ITEM NO.	DESCRIPTION	QTY	UNIT	REVISION	DATE	BY	CHKD.
24	3/8x1/8 SPRING WASHER	1	PC	1			
23	5/16x1/8 WASHER	1	PC	1			
22	A25-11 BOLT	1	PC	1			
21	1/4x1/2 PP CLIP	1	PC	1			
20	1/8x3/8 PATCH	1	PC	1			
19	1/4x1/4 INSPECTION HOLE FRAME	1	PC	1			
18	1/8x3/8 PATCH	1	PC	1			
17	1/8x3/8 PATCH	1	PC	1			
16	1/8x3/8 PATCH	1	PC	1			
15	4' SEPARATED TAPE	1	PC	1			
14	2' SEPARATED TAPE	1	PC	1			
13	FABRIC	1	PC	1			
12	BRAKE CABLE ASSY. (PORT)	1	PC	1			
11	BRAKE CABLE ASSY. (OPF)	1	PC	1			
10	3/8x1/8 DRAIN EYELET	1	PC	1			
9	5/16x1/8 UNDERCARRIAGE FRAME	1	PC	1			
8	3/8x1/8 SERATED PATCH REAR PT.	1	PC	1			
7	3/8x1/8 SERATED PATCH REAR PT.	1	PC	1			
6	3/8x1/8 SERATED PATCH FRONT PT.	1	PC	1			
5	3/8x1/8 SERATED PATCH FRONT PT.	1	PC	1			
4	BRAKE CABLE ASSY. (STD)	1	PC	1			
3	3/8x1/8 SERATED PATCH FRONT/REAR	1	PC	1			
2	UNDERCARRIAGE FRAME	1	PC	1			
1	PROTECTIVE TREATMENT	1	PC	1			

1	388	368	REA
2	388	368	REA
3	388	368	REA
4	388	368	REA
5	388	368	REA
6	388	368	REA
7	388	368	REA
8	388	368	REA
9	388	368	REA
10	388	368	REA
11	388	368	REA
12	388	368	REA
13	388	368	REA
14	388	368	REA
15	388	368	REA
16	388	368	REA
17	388	368	REA
18	388	368	REA
19	388	368	REA
20	388	368	REA
21	388	368	REA
22	388	368	REA
23	388	368	REA
24	388	368	REA

TYPE: AUSTER

TITLE: FABRIC COVERED UNDERCARRIAGE

AUSTER AIRCRAFT LTD REARSBY LEICESTER

SCALE: 1/2 : 1/11

PART NO KA 51248/R

DRG. NO EKE 248/R