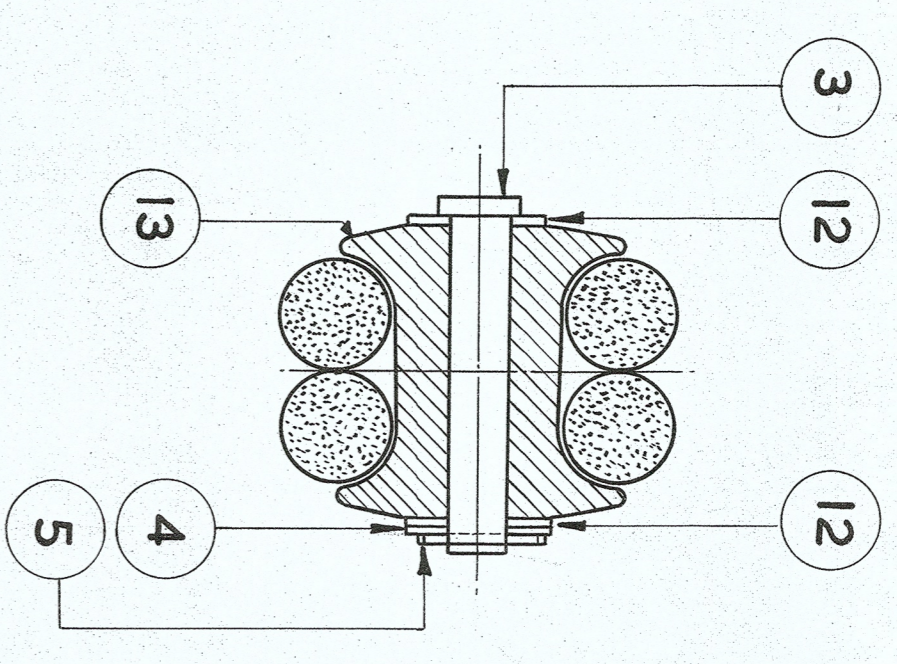
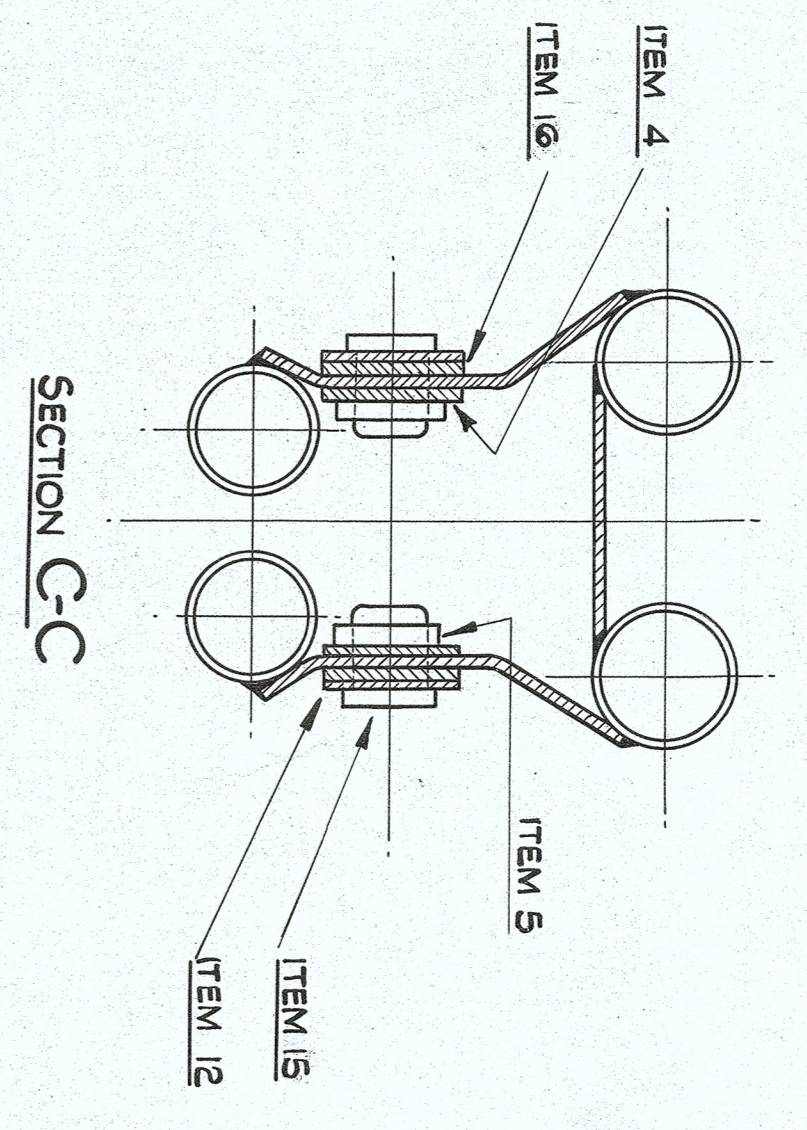
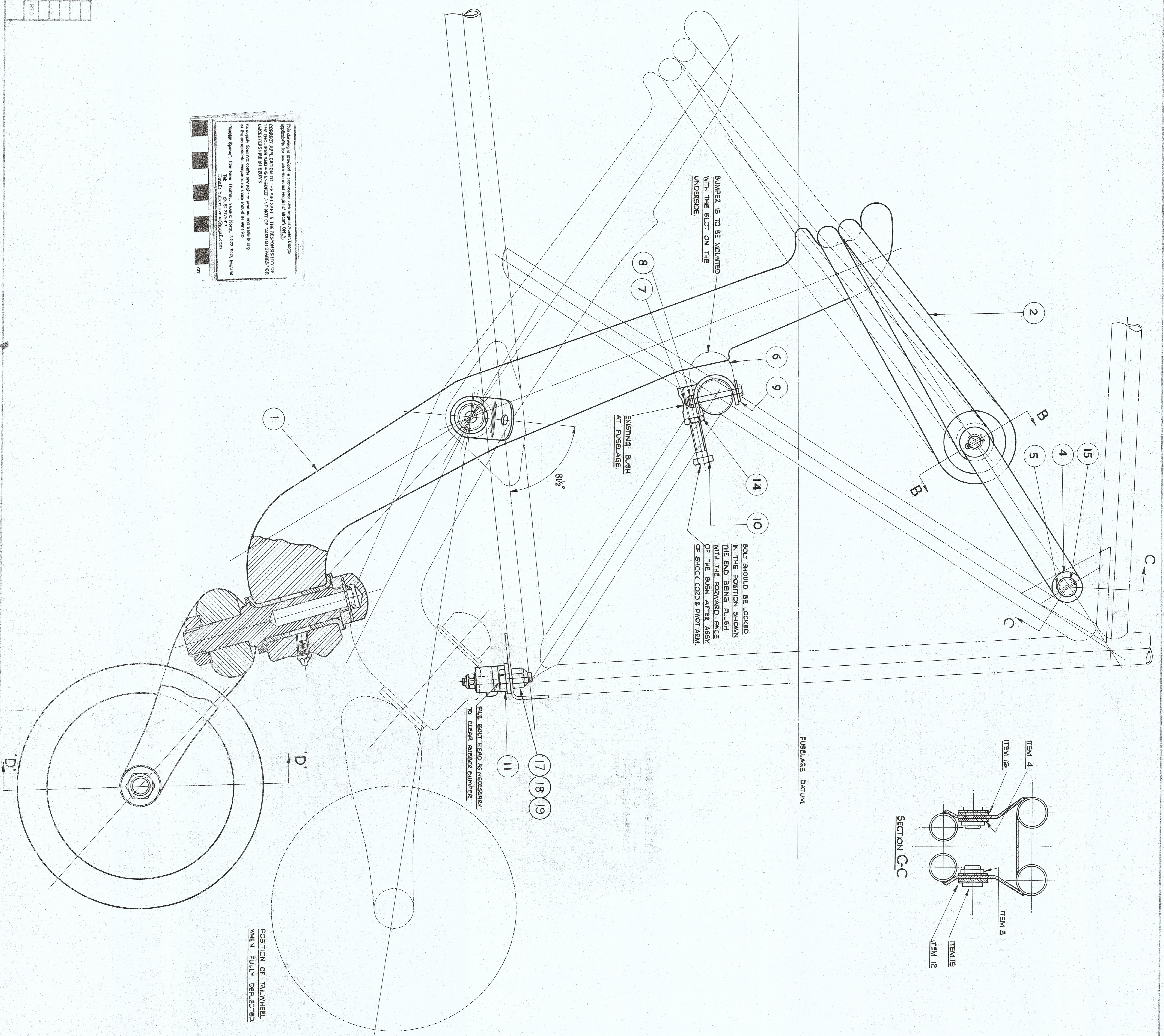


1. DO NOT SCALE DRAWING
2. USED UNLESS OTHERWISE STATED.
3. TOLERANCES ON DIMENSIONS UNLESS OTHERWISE STATED.
4. IN DOUBT ABOUT THIS DRAWING RING DRAWING OFFICE BEFORE COMMENCING OPERATIONS.

This drawing is provided in accordance with original Austere design and is not to be used for any other purpose without the written authority of the original designer. The responsibility for the correct application of the drawing to the aircraft is the responsibility of the user. It is the responsibility of the user to ensure that the drawing is used in accordance with the instructions given. The drawing is provided in accordance with original Austere design and is not to be used for any other purpose without the written authority of the original designer. The responsibility for the correct application of the drawing to the aircraft is the responsibility of the user. It is the responsibility of the user to ensure that the drawing is used in accordance with the instructions given.

7	315	2041	1/2	REB
8	315	2041	1/2	REB
RE-TRACED				
ISSUED	PROG	REVISED	CLASS	APP
BY	NO	DATE		
TYPE: AUSTER				



POSITION OF TAILWHEEL WHEN FULLY DEFLECTED

ASSEMBLY SEQUENCE FOR PILOT ARM ASSY  
 INSERT PILOT ARM THROUGH HOLE IN LEATHER BAG & ASSEMBLE AT PIVOT POINT WITH THE RUBBER BUMPER REMOVED. PLACE SHOCK CORD AROUND PULLEY & UNDER PILOT ARM AS SHOWN. SCREW BOLT (ITEM 10) FORWARD AGAINST THE BOSS ON THE PILOT ARM UNTIL THERE IS SUFFICIENT SPACE TO FIT BUMPER.  
 ASSEMBLE BUMPER & LOCK BOLT IN POSITION AS STATED IN ABOVE NOTE

ITEM	QTY	DESCRIPTION	REF	DATE	BY
19	2	STRUT	220/1		
18	2	WASHER	160/1		
17	2	BOLT	175/2		
16	2	WASHER	103/3		
15	2	STEEL PIN	52/1		
14	1	LOCKNUT	146/1		
13	1	SHOCK CORD PULLEY	50100		
12	2	STRAP PLATE	12003		
11	2	BUMPER ASSY	51180		
10	1	BOLT	1386		
9	1	WASHER PLATE	11384		
8	2	PIVOT ARM	11180		
7	2	BOLT	41/1		
6	1	RUBBER BUMPER	14003		
5	1	SPRUT PIN	784/1		
4	3	WASHER	145/1		
3	1	STEEL PIN	52/1		
2	1	TAILWHEEL BUNGEE	14003		
1	1	TAILWHEEL & PILOT ARM ASSY	50082		

DRAWN BY: J.E. HARRISON  
 CHECKED BY: J.E. HARRISON  
 SCALE: 1:1  
 TITLE: G.A. OF TAILWHEEL (GLIDER TOWING)  
 PROJECT: TAYLORCRAFT AEROPLANES (ENGLAND) LTD. LEICESTER.  
 DRAWING NO: KL 114 89  
 DESIGNED BY: DR. N. S. KAIIIS