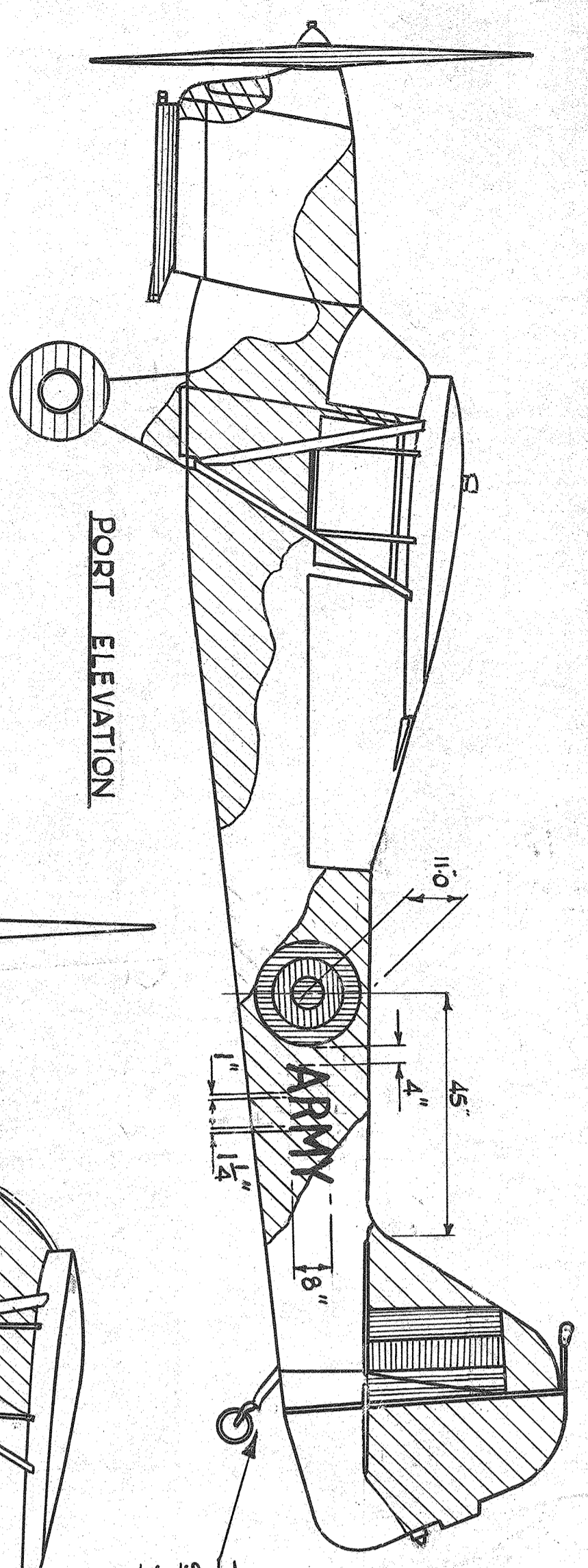


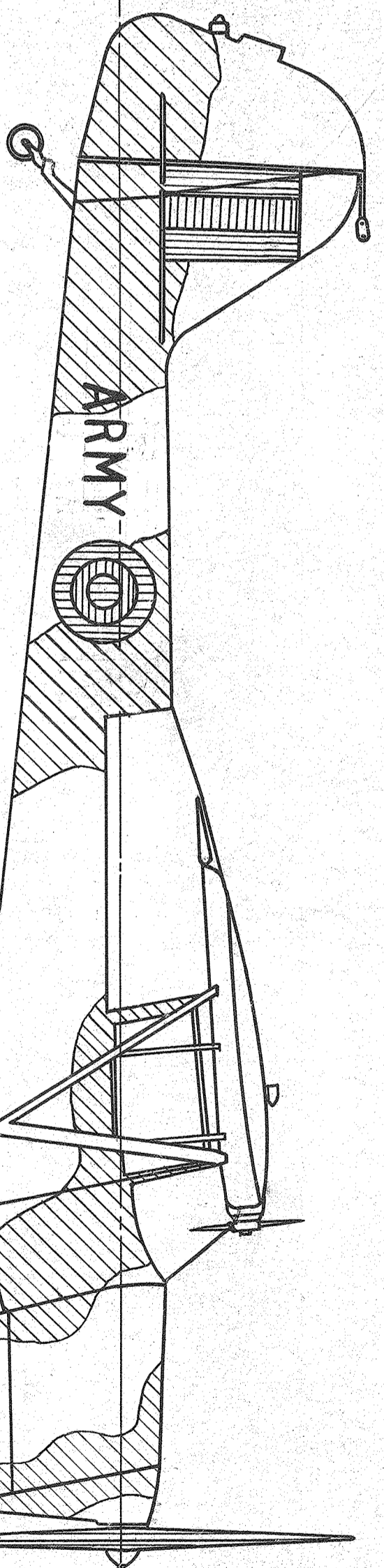
DO NOT SCALE DRAWING
 ALL DIMENSIONS ARE IN INCHES
 UNLESS OTHERWISE STATED
 DIMENSIONS ARE TO CENTER UNLESS OTHERWISE STATED
 DIMENSIONS ARE TO CENTER UNLESS OTHERWISE STATED
 DIMENSIONS ARE TO CENTER UNLESS OTHERWISE STATED
 DIMENSIONS ARE TO CENTER UNLESS OTHERWISE STATED



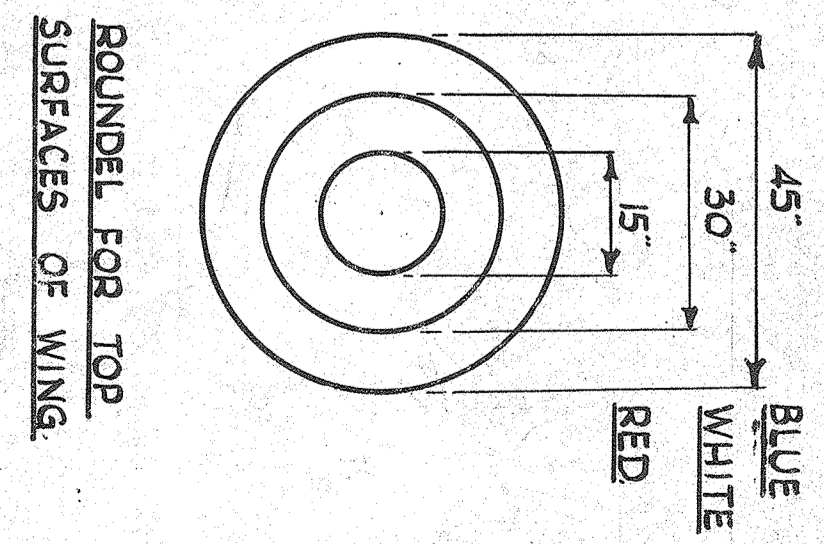
PORT ELEVATION

THIS TAIL WHEEL HAS BEEN SUPERSEDED BY LEAF SPRING TYPE ON MOD. 315.

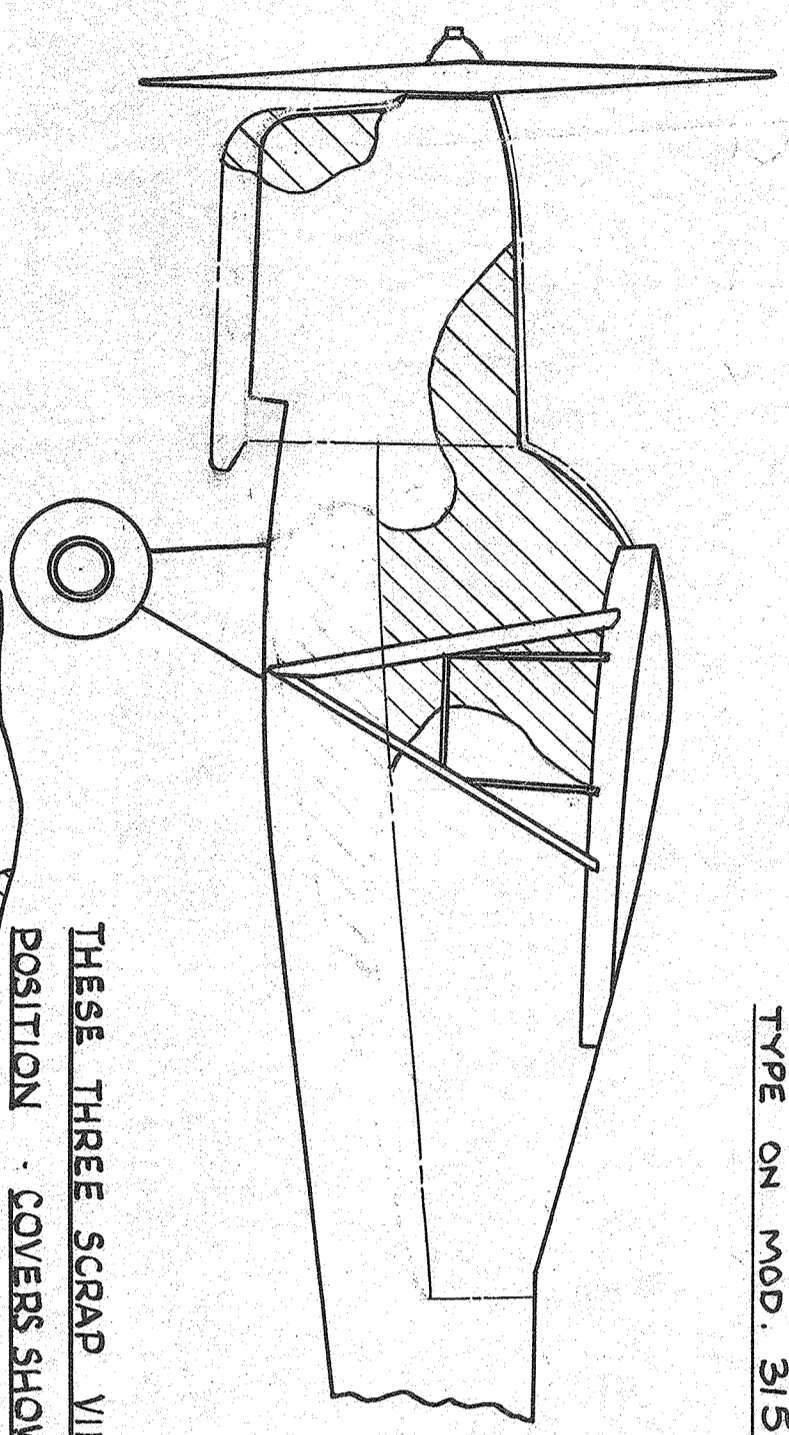
M/C DATUM



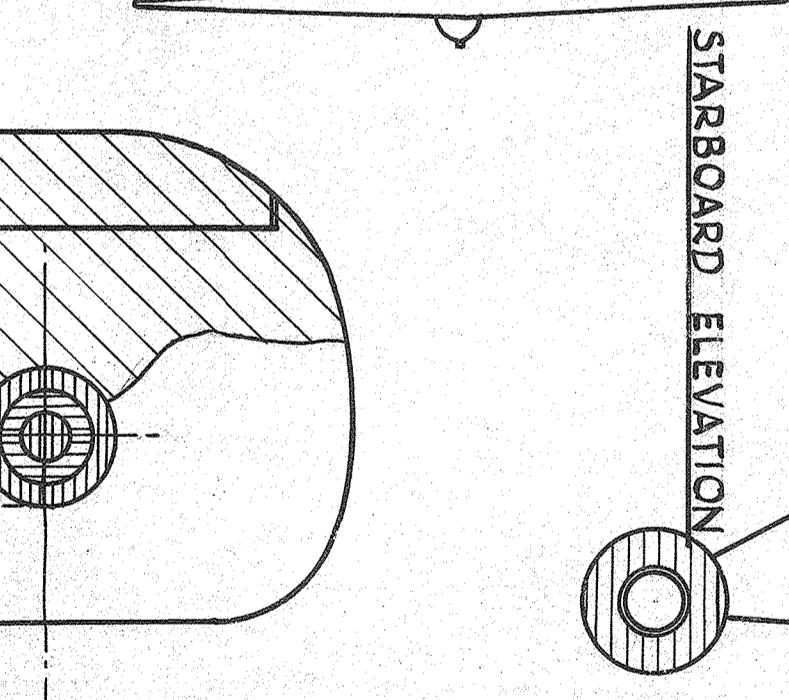
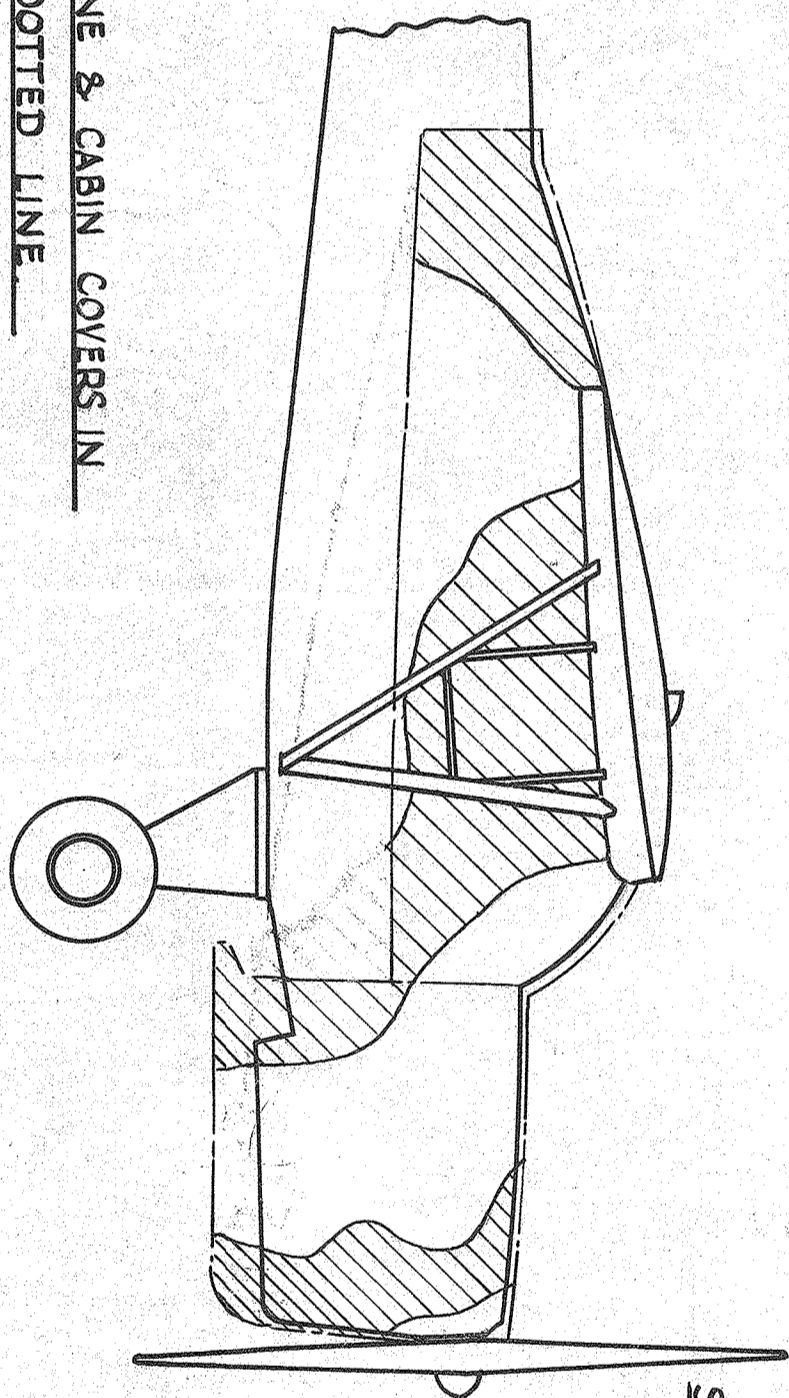
STARBOARD ELEVATION



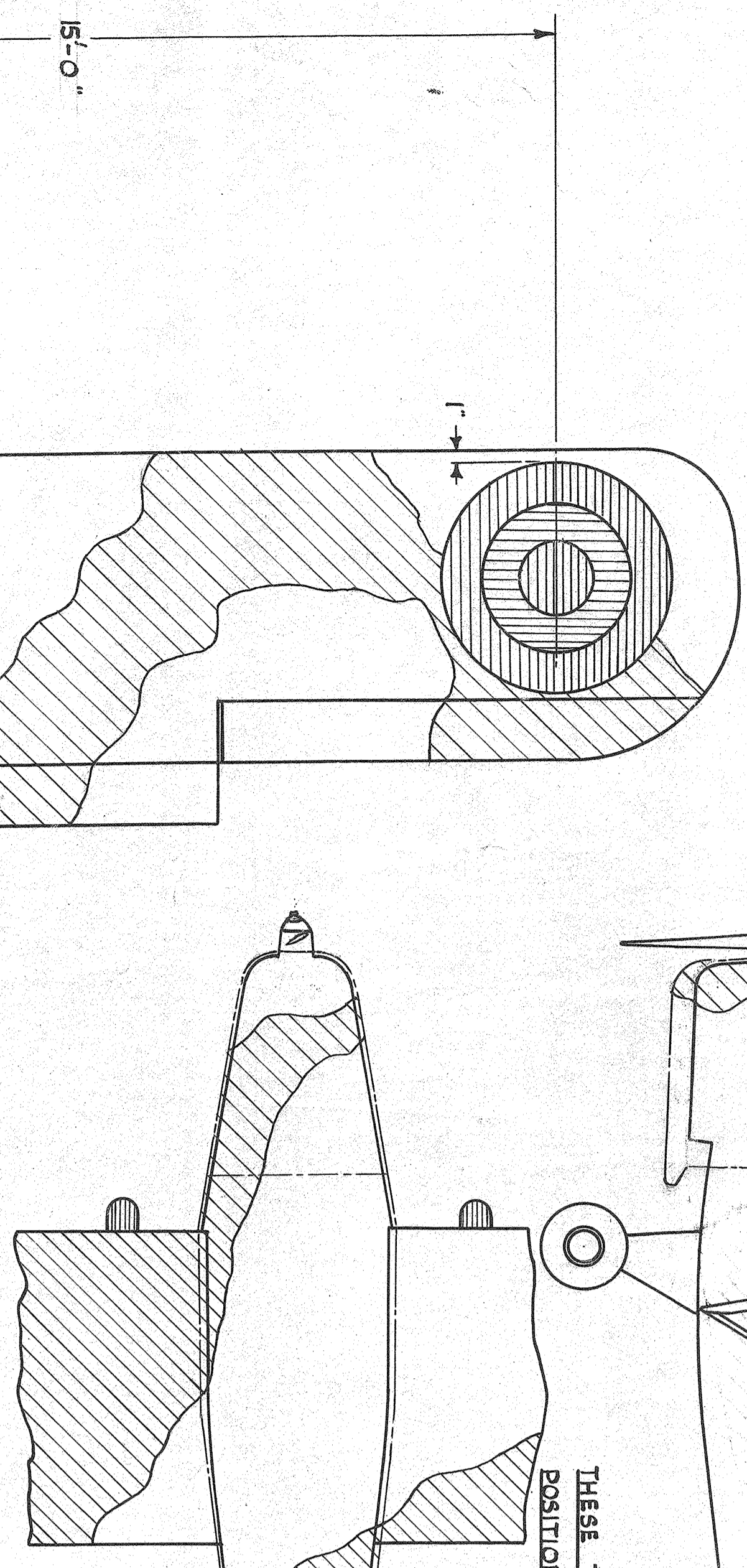
ROUND EL FOR TOP SURFACES OF WING.



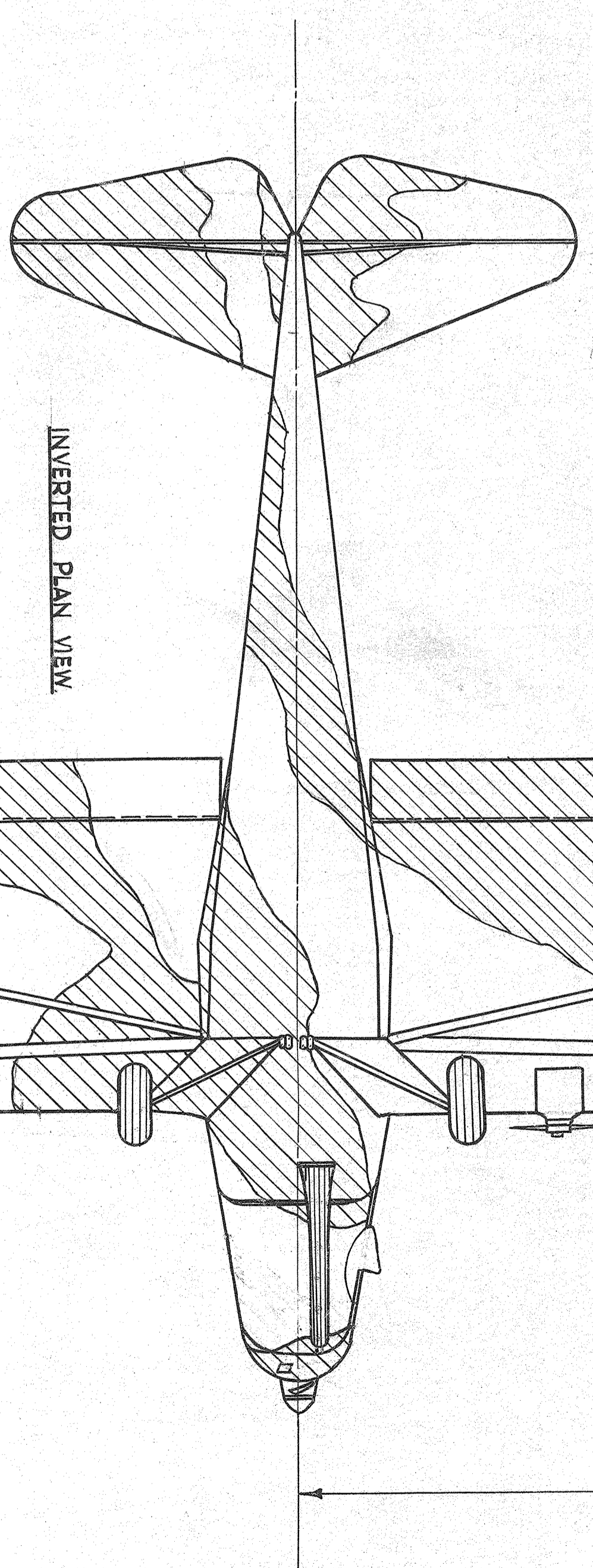
THESE THREE SEPAR VIEWS SHOW ENGINE & CABIN COVERS IN POSITION - COVERS SHOWN BY CHAIN DOTTED LINE.



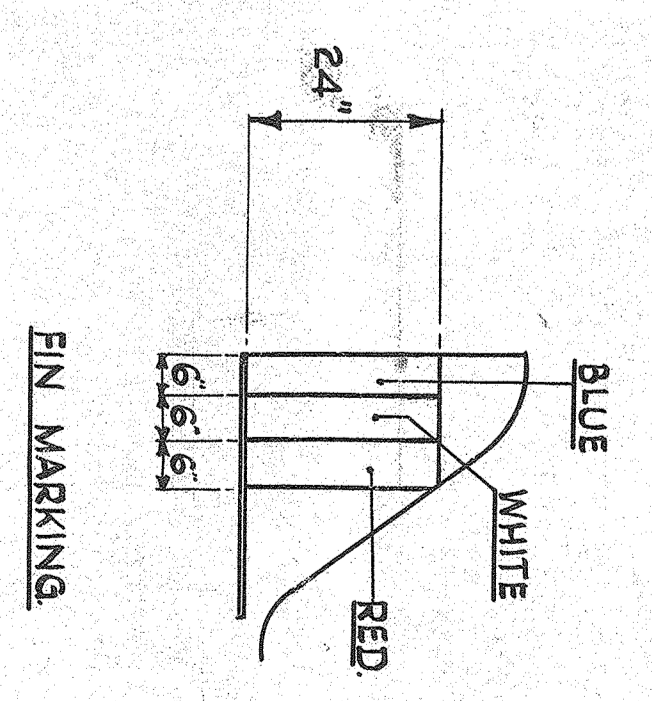
SIDE FUSELAGE ROUND EL & UNDERSIDE OF WINGS.



PLAN VIEW



INVERTED PLAN VIEW



FIN MARKING

[Blue swatch]	BLUE
[Dark Green swatch]	DARK GREEN
[Dark Earth swatch]	DARK EARTH.

COLOR CHART

NO	MATERIAL	COLOR	D.T.N.	STORES REF. NO.	STORES REF. OF WGT. IN OZ. OR LBS.
1	PAINTING	RED	752 797	799	33.9
2	PAINTING	ALUMINIUM	753 791	792 793	33.9
3	NON TOXIC DYE	DARK EARTH	754 791	674 675	665 33.9
4	NON TOXIC DYE	DARK GREEN	755 791	676 677	556 33.9
5	NON TOXIC DYE	WHITE	756 791	698 699	661 33.9
6	NON TOXIC DYE	BRIGHT BLUE	757 791	815 816	815 33.9
7	NON TOXIC DYE	BRIGHT RED	758 791	817 818	815 33.9
8	NON TOXIC DYE	YELLOW	759 791	100 101	663 33.9
9	NON TOXIC DYE	TRANSPARENT	760 791	803 804	805 33.9
10	PAINT FINISH CELLULOSE	NIGHT	754 1051	693 9428739	33.9

- NOTES:-
 1) IN MATERIALS TABLE DOPES No. 1, 2, 3 & 4 APPLY TO FABRIC DOPING SCHEME & ARE TABULATED IN ORDER OF APPLICATION.
 2) ENGINE & CABIN COVERS GREEN & PROPELLOR COVERS TO BE SPRAYED WITH ONE COAT OF CAMOUFLAGE TO D.T.D. SPEC. 751.
 3) ALL METAL PARTS ON EXTERIOR OF AIRCRAFT TO HAVE PROTECTIVE TREATMENT CALLED FOR ON EK 4 & ONE COAT OF CAMOUFLAGE TO D.T.D. SPEC. 754.
 4) ROUNDELS & FIN FLASHES TO HAVE FINISHING COAT OF TRANSPARENT CELLULOSE.
 5) GENERATOR WINDMILL TO BE TREATED IN ACCORDANCE WITH NOTE 3.
 6) EXHAUST MANIFOLD AND PROPELLOR NOT TO BE CAMOUFLAGED.
 7) 'ARMY' TO BE PAINTED NIGHT.

7	ARMY	3626	
6	ARMY	3358	
5	ARMY	2229	
4	ARMY	2162	
3	ARMY	20413	
2	ARMY	1935	
1	ARMY	1704	

THIS DRAWING WAS EK 31504 K.

TYPE: AUSTER

The details in this drawing are the property of the Royal Aircraft Establishment and are not to be reproduced in any form without the written permission of the Director of the Royal Aircraft Establishment. This permission is granted only for the purpose of reproduction for the use of the Royal Aircraft Establishment and its contractors and is not to be used for any other purpose. The Royal Aircraft Establishment is not responsible for any loss or damage to property or for any injury to persons or animals caused by the use of this drawing.



PROJECTIVE: EK 1
 SCALE: 1/2" = 1 FT.
 DRAWN BY: G.S.V.
 CHECKED BY: H.A.C.
 APPROVED BY: K. 33