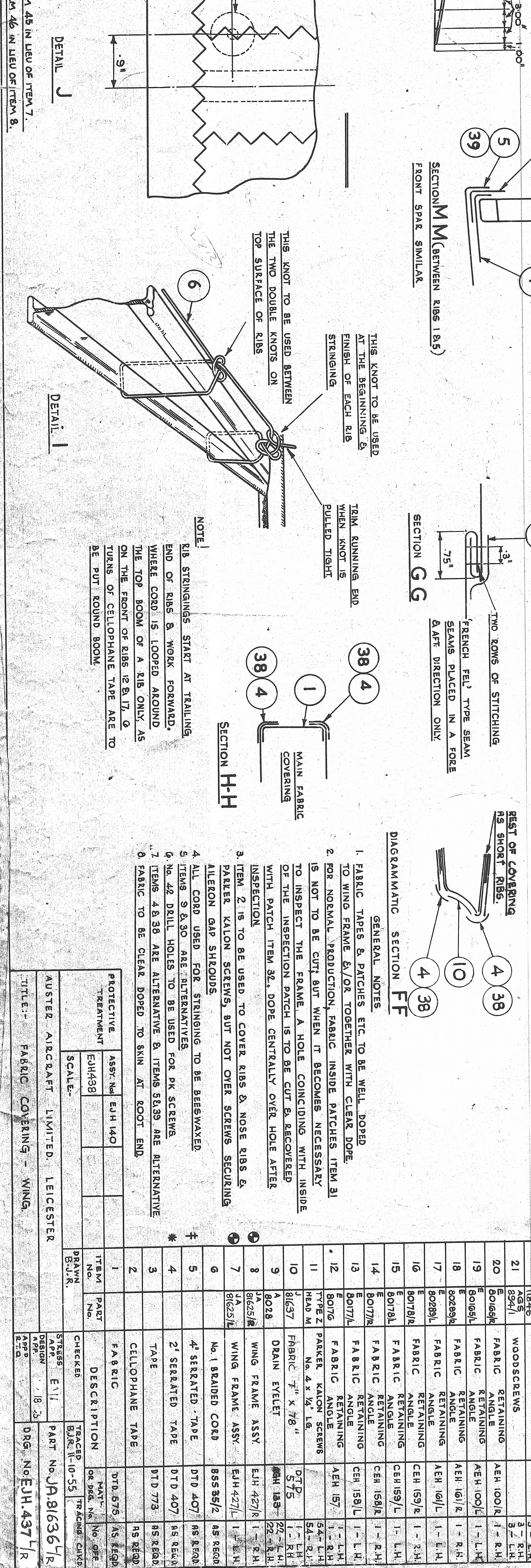
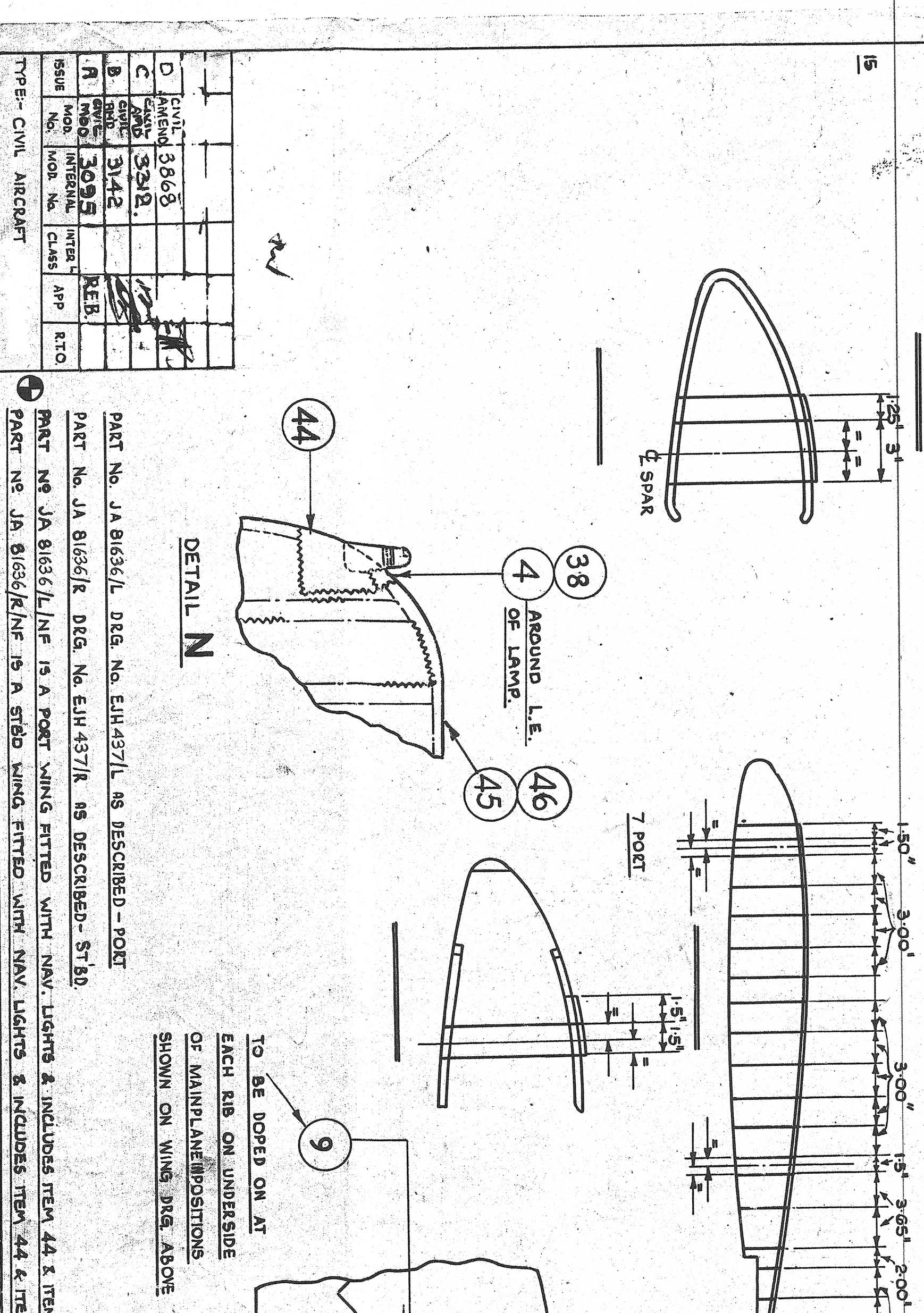
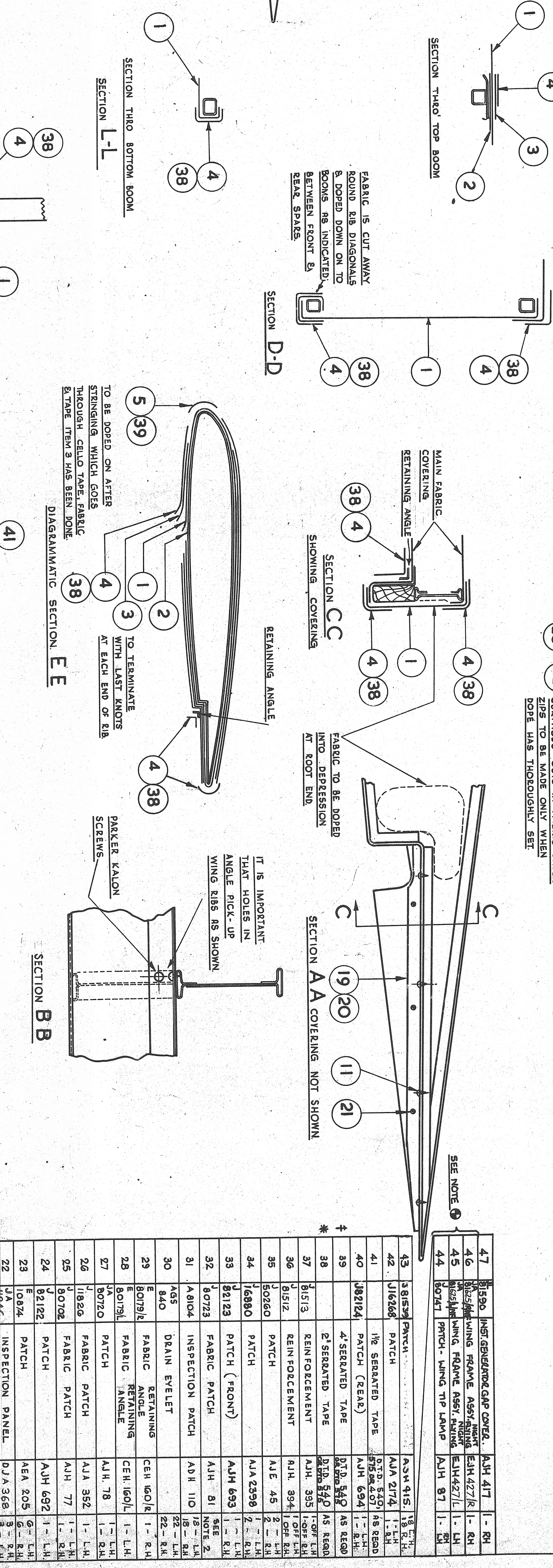
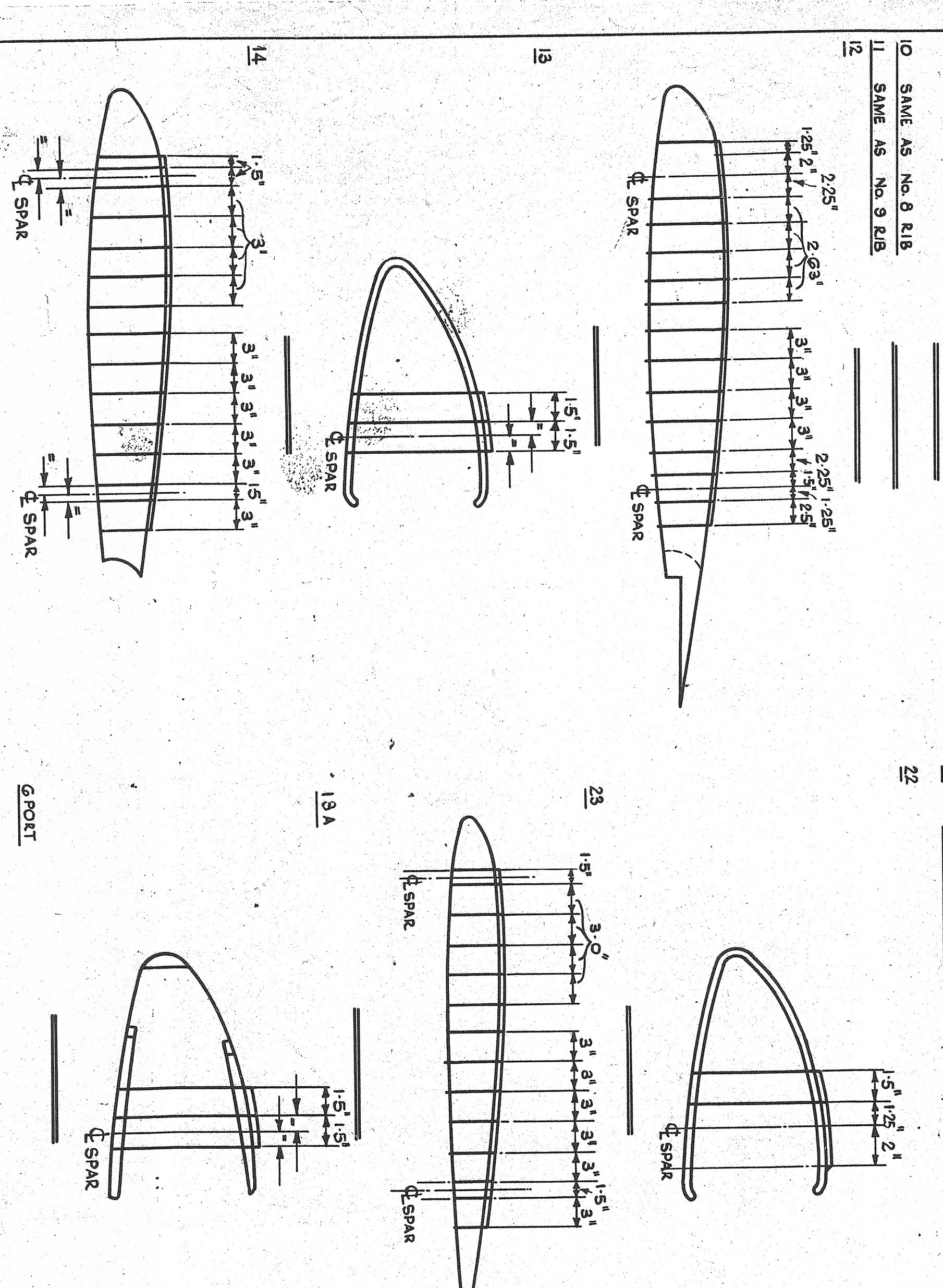
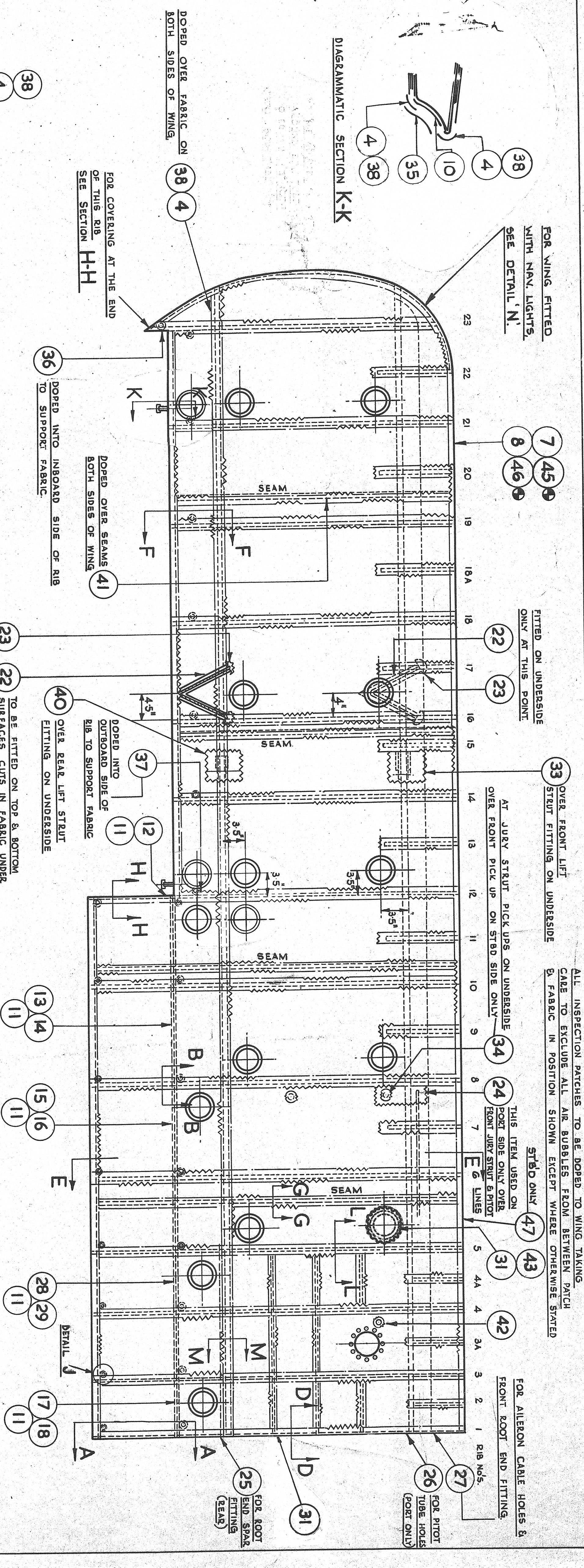
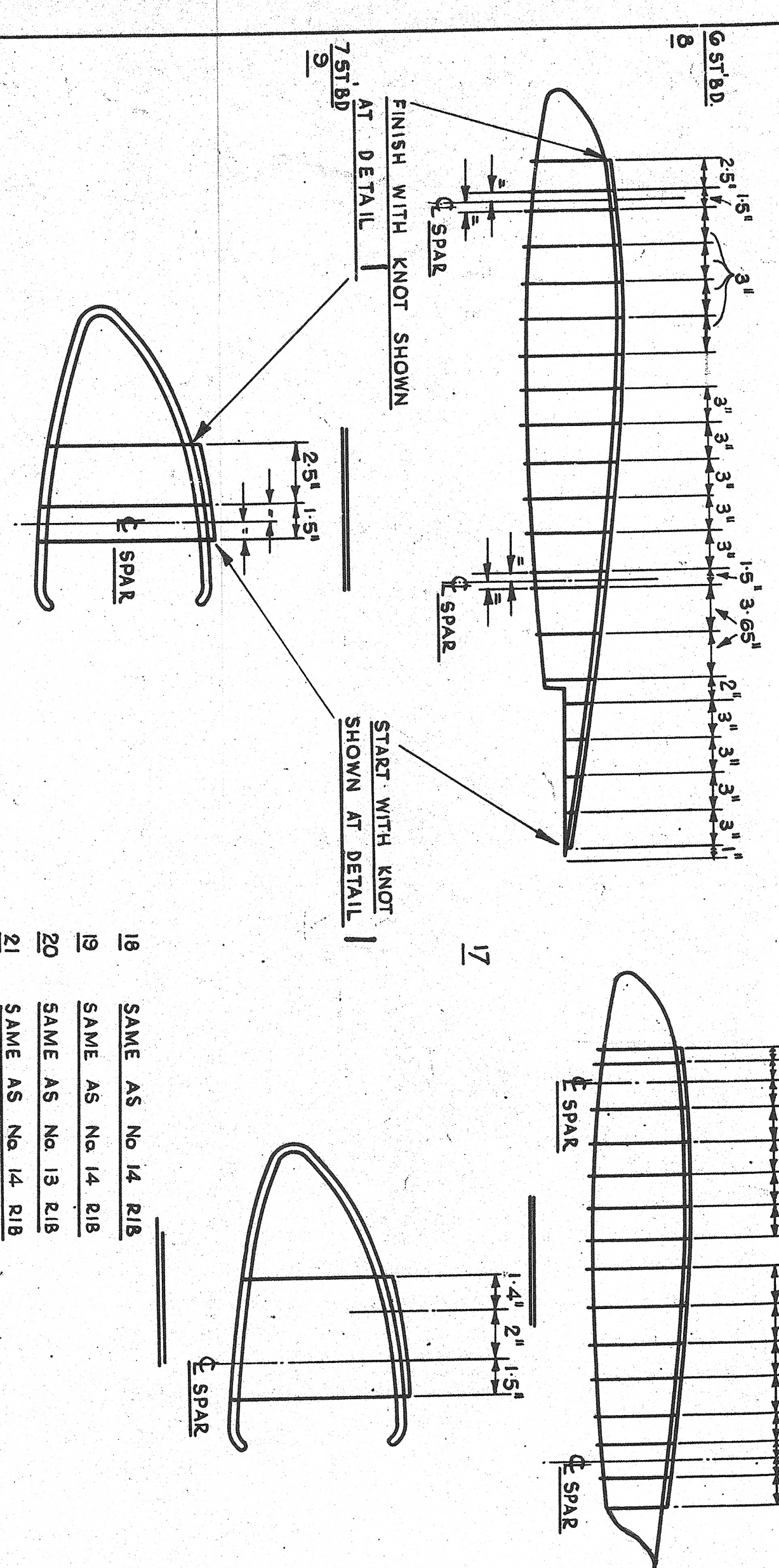


DO NOT SCALE DRAWING
 READ UNLESS OTHERWISE
 STATED FOR DIMENSIONS
 DIMENSIONS ARE +.02" MIN
 UNLESS OTHERWISE STATED
 IF IN DOUBT ABOUT THIS
 DRAWING, KING BEARING
 OFFICE SHALL BE CONTACTED
 FOR CLARIFICATION

THE RIB STRINGING DIAGRAMS BELOW
 ARE FOR RIBS & NOSE RIBS

RIB No.
 1. NO STRINGING REQD ON THIS RIB
 2, 3, 4. RIBS AT OR REAR SPAR AS RIBS



ITEM	NO.	DESCRIPTION	QTY	UNIT	REMARKS
1	38	FABRIC	1	sq. ft.	
2	39	WOOD SCREWS	1	each	
3	40	WOOD SCREWS	1	each	
4	41	WOOD SCREWS	1	each	
5	42	WOOD SCREWS	1	each	
6	43	WOOD SCREWS	1	each	
7	44	WOOD SCREWS	1	each	
8	45	WOOD SCREWS	1	each	
9	46	WOOD SCREWS	1	each	
10	47	WOOD SCREWS	1	each	
11	48	WOOD SCREWS	1	each	
12	49	WOOD SCREWS	1	each	
13	50	WOOD SCREWS	1	each	
14	51	WOOD SCREWS	1	each	
15	52	WOOD SCREWS	1	each	
16	53	WOOD SCREWS	1	each	
17	54	WOOD SCREWS	1	each	
18	55	WOOD SCREWS	1	each	
19	56	WOOD SCREWS	1	each	
20	57	WOOD SCREWS	1	each	
21	58	WOOD SCREWS	1	each	
22	59	WOOD SCREWS	1	each	
23	60	WOOD SCREWS	1	each	
24	61	WOOD SCREWS	1	each	
25	62	WOOD SCREWS	1	each	
26	63	WOOD SCREWS	1	each	
27	64	WOOD SCREWS	1	each	
28	65	WOOD SCREWS	1	each	
29	66	WOOD SCREWS	1	each	
30	67	WOOD SCREWS	1	each	
31	68	WOOD SCREWS	1	each	
32	69	WOOD SCREWS	1	each	
33	70	WOOD SCREWS	1	each	
34	71	WOOD SCREWS	1	each	
35	72	WOOD SCREWS	1	each	
36	73	WOOD SCREWS	1	each	
37	74	WOOD SCREWS	1	each	
38	75	WOOD SCREWS	1	each	
39	76	WOOD SCREWS	1	each	
40	77	WOOD SCREWS	1	each	
41	78	WOOD SCREWS	1	each	
42	79	WOOD SCREWS	1	each	
43	80	WOOD SCREWS	1	each	
44	81	WOOD SCREWS	1	each	
45	82	WOOD SCREWS	1	each	
46	83	WOOD SCREWS	1	each	
47	84	WOOD SCREWS	1	each	
48	85	WOOD SCREWS	1	each	
49	86	WOOD SCREWS	1	each	
50	87	WOOD SCREWS	1	each	
51	88	WOOD SCREWS	1	each	
52	89	WOOD SCREWS	1	each	
53	90	WOOD SCREWS	1	each	
54	91	WOOD SCREWS	1	each	
55	92	WOOD SCREWS	1	each	
56	93	WOOD SCREWS	1	each	
57	94	WOOD SCREWS	1	each	
58	95	WOOD SCREWS	1	each	
59	96	WOOD SCREWS	1	each	
60	97	WOOD SCREWS	1	each	
61	98	WOOD SCREWS	1	each	
62	99	WOOD SCREWS	1	each	
63	100	WOOD SCREWS	1	each	

NOTE: RIB STRINGING START AT TRAILING END OF RIBS & WORK FORWARD. WHERE COPIED IS LOOPED AROUND THE TOP ROOM OF A RIB ONLY AS LONG AS THE RIB IS TO BE DOPED. DOPE OF CELLULOSE TAPE ARE TO BE PUT ROUND ROOM.

THIS KNOT TO BE USED BETWEEN THE TWO DOUBLE KNOTS ON TOP SURFACE OF RIBS.

THIS KNOT TO BE USED AT THE BEGINNING & FINISH OF EACH RIB STRINGING.

TEMP. RUNNING END WHEN KNOT IS PULLED TIGHT.

TO BE DOPED ON AT EACH RIB ON UNDERSIDE OF MAIN PLAN POSITIONS SHOWN ON WING JING ABOVE.

FOR WING FITTED WITH MAN. LIGHTS. SEE DETAIL 'N'.

DIOPED OVER FABRIC ON BOTH SIDES OF WING.

FOR COVERING AT THE END OF RIBS SEE SECTION 'HH'.

DIOPED OVER SEAMS.

DIOPED INTO INBOARD SIDE OF RIB TO SUPPORT FABRIC.

DIOPED INTO OUTBOARD SIDE OF RIB TO SUPPORT FABRIC.

OVER REAR LEFT STRUT FITTING ON UNDERSIDE.

TO BE FITTED ON TOP & BOTTOM SURFACES CUTS IN FABRIC UNDER ZIP TO BE MADE ONLY WHEN DOPE HAS THOROUGHLY SET.

OVER FRONT LEFT STRUT FITTING ON UNDERSIDE.

AT JURY STRUT PICK UPS ON UNDERSIDE OVER FRONT PICK UP ON STRUT SIDE ONLY.

THIS ITEM USED ON STRUT SIDE ONLY OVER FRONT PICK UP & DRIVE.

FOR ALLEON CABLE HOLES & FRONT FOOT END FITTING.

FOR FOOT END SPARE FITTING.

FOR TIE HOLES (SEE DETAIL).

ITEM	NO.	DESCRIPTION	QTY	UNIT	REMARKS
1	38	FABRIC	1	sq. ft.	
2	39	WOOD SCREWS	1	each	
3	40	WOOD SCREWS	1	each	
4	41	WOOD SCREWS	1	each	
5	42	WOOD SCREWS	1	each	
6	43	WOOD SCREWS	1	each	
7	44	WOOD SCREWS	1	each	
8	45	WOOD SCREWS	1	each	
9	46	WOOD SCREWS	1	each	
10	47	WOOD SCREWS	1	each	
11	48	WOOD SCREWS	1	each	
12	49	WOOD SCREWS	1	each	
13	50	WOOD SCREWS	1	each	
14	51	WOOD SCREWS	1	each	
15	52	WOOD SCREWS	1	each	
16	53	WOOD SCREWS	1	each	
17	54	WOOD SCREWS	1	each	
18	55	WOOD SCREWS	1	each	
19	56	WOOD SCREWS	1	each	
20	57	WOOD SCREWS	1	each	
21	58	WOOD SCREWS	1	each	
22	59	WOOD SCREWS	1	each	
23	60	WOOD SCREWS	1	each	
24	61	WOOD SCREWS	1	each	
25	62	WOOD SCREWS	1	each	
26	63	WOOD SCREWS	1	each	
27	64	WOOD SCREWS	1	each	
28	65	WOOD SCREWS	1	each	
29	66	WOOD SCREWS	1	each	
30	67	WOOD SCREWS	1	each	
31	68	WOOD SCREWS	1	each	
32	69	WOOD SCREWS	1	each	
33	70	WOOD SCREWS	1	each	
34	71	WOOD SCREWS	1	each	
35	72	WOOD SCREWS	1	each	
36	73	WOOD SCREWS	1	each	
37	74	WOOD SCREWS	1	each	
38	75	WOOD SCREWS	1	each	
39	76	WOOD SCREWS	1	each	
40	77	WOOD SCREWS	1	each	
41	78	WOOD SCREWS	1	each	
42	79	WOOD SCREWS	1	each	
43	80	WOOD SCREWS	1	each	
44	81	WOOD SCREWS	1	each	
45	82	WOOD SCREWS	1	each	
46	83	WOOD SCREWS	1	each	
47	84	WOOD SCREWS	1	each	
48	85	WOOD SCREWS	1	each	
49	86	WOOD SCREWS	1	each	
50	87	WOOD SCREWS	1	each	
51	88	WOOD SCREWS	1	each	
52	89	WOOD SCREWS	1	each	
53	90	WOOD SCREWS	1	each	
54	91	WOOD SCREWS	1	each	
55	92	WOOD SCREWS	1	each	
56	93	WOOD SCREWS	1	each	
57	94	WOOD SCREWS	1	each	
58	95	WOOD SCREWS	1	each	
59	96	WOOD SCREWS	1	each	
60	97	WOOD SCREWS	1	each	
61	98	WOOD SCREWS	1	each	
62	99	WOOD SCREWS	1	each	
63	100	WOOD SCREWS	1	each	

GENERAL NOTES:

- FABRIC TAPES & PITCHES ETC TO BE WELL DOPED
- TO WING FRAME & JOE TOGETHER WITH CLEAR DOPE
- FOR NORMAL PRODUCTION FABRIC INSIDE PATCHES ITEM 21 IS NOT TO BE CUT BUT WHEN IT BECOMES NECESSARY TO INSPECT THE FRAME A HOLE CONSIDERING WITH INSIDE OF THE INSPECTION PATCH IS TO BE CUT & RECOVERED WITH PATCH ITEM 21. DOPE CENTRALLY OVER HOLE AFTER INSPECTION.
- ITEM 2 IS TO BE USED TO COVER RIBS & NOSE RIBS & ALLEON GAP SCREWS, BUT NOT OVER SCREWS SECURING ALLEON GAP SCREWS.
- ALL COUD USED FOR STRINGING TO BE RESEWED.
- ITEM 3 & 50 ARE ALTERNATIVES.
- NO. 42 DRILL HOLES TO BE USED FOR PK SCREWS.
- ITEMS 48, 88 ARE ALTERNATIVE & ITEMS 58, 93 ARE ALTERNATIVE & FABRIC TO BE CLEAR DOPED TO SKIN AT FOOT END.

ITEM	NO.	DESCRIPTION	QTY	UNIT	REMARKS
1	38	FABRIC	1	sq. ft.	
2	39	WOOD SCREWS	1	each	
3	40	WOOD SCREWS	1	each	
4	41	WOOD SCREWS	1	each	
5	42	WOOD SCREWS	1	each	
6	43	WOOD SCREWS	1	each	
7	44	WOOD SCREWS	1	each	
8	45	WOOD SCREWS	1	each	
9	46	WOOD SCREWS	1	each	
10	47	WOOD SCREWS	1	each	
11	48	WOOD SCREWS	1	each	
12	49	WOOD SCREWS	1	each	
13	50	WOOD SCREWS	1	each	
14	51	WOOD SCREWS	1	each	
15	52	WOOD SCREWS	1	each	
16	53	WOOD SCREWS	1	each	
17	54	WOOD SCREWS	1	each	
18	55	WOOD SCREWS	1	each	
19	56	WOOD SCREWS	1	each	