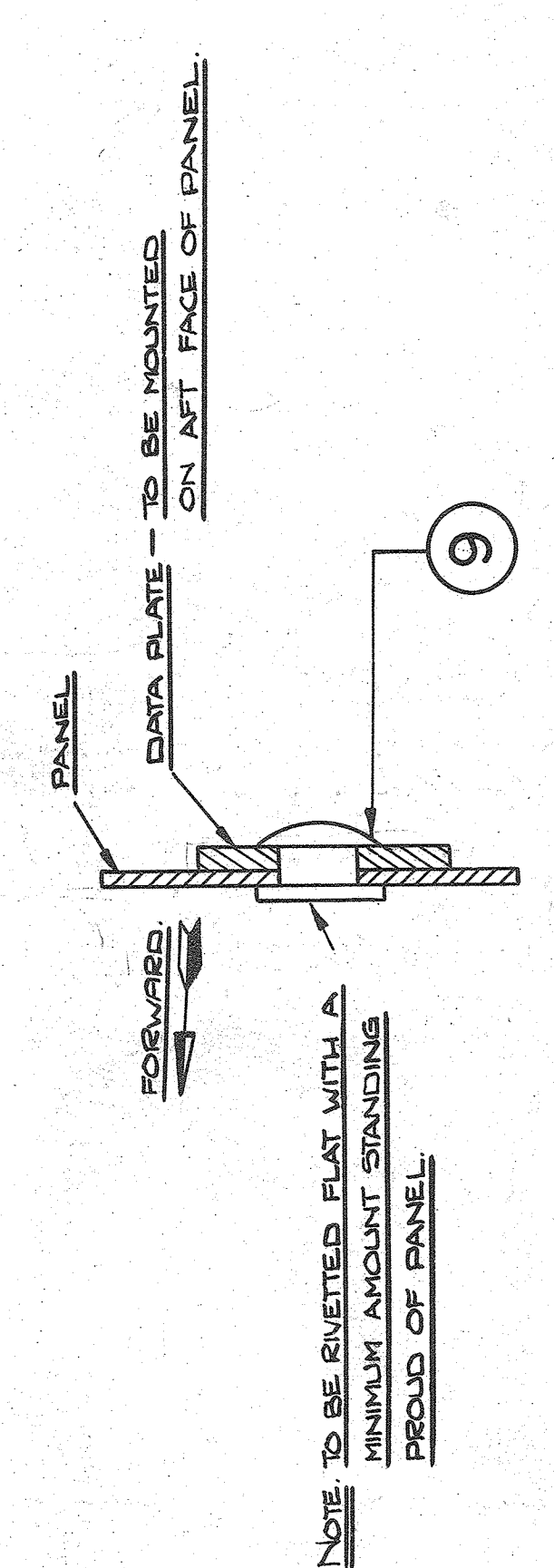
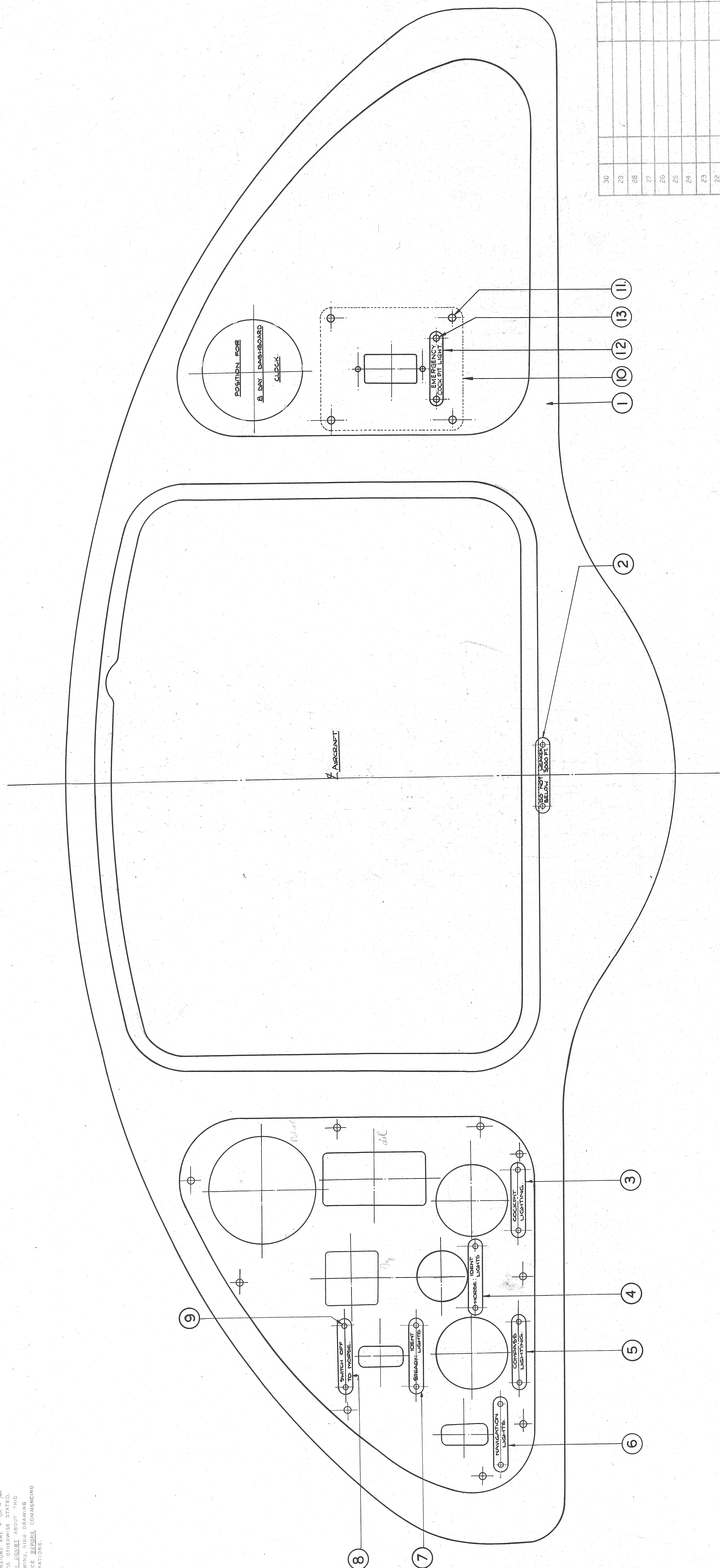
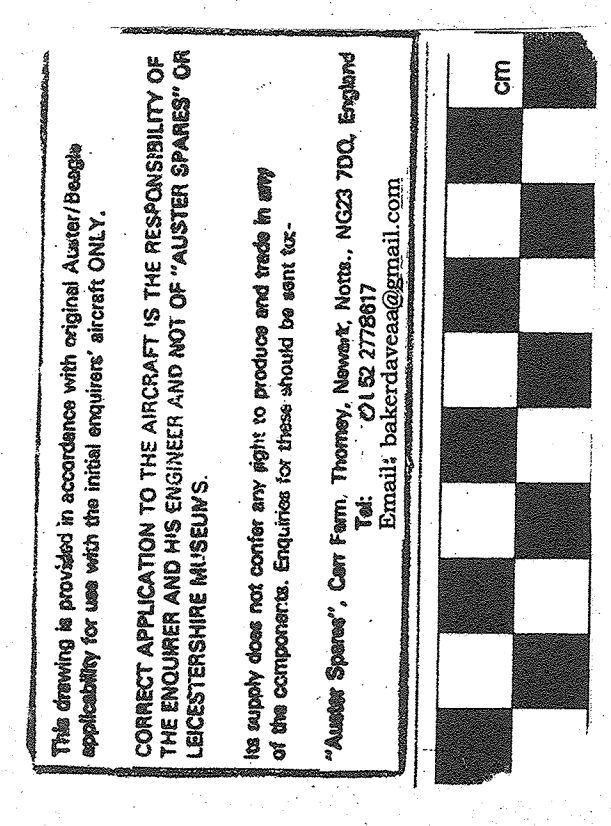


1. IS NOT SCALE DRAWING
2. ENGLISH PROJECTION IS USED UNLESS OTHERWISE
3. TOLERANCES ON FRACTIONAL DIMENSIONS ARE .001 OR .002 UNLESS OTHERWISE SPECIFIED
4. DIMENSIONS ARE IN INCHES UNLESS OTHERWISE SPECIFIED
DRAWING: RING DRAWING
OFFICE: BECREE COMMENCING OPERATIONS



TYPICAL SECTION THRU DATA PLATE



ITEM	PART	DESCRIPTION	QTY	UNIT	REVISION
1	16456	INSTRUMENT PANEL CASE	1	PCB	
2	16455	DATA PLATE	1	PCB	
3	16457	DATA PLATE	1	PCB	
4	16458	DATA PLATE	1	PCB	
5	16459	DATA PLATE	1	PCB	
6	16460	DATA PLATE	1	PCB	
7	16461	DATA PLATE	1	PCB	
8	16462	DATA PLATE	1	PCB	
9	16463	DATA PLATE	1	PCB	
10	70834	REINFORCEMENT PLATE	1	AUG 100	
11	16464	RIVET	1	AUG 100	
12	16465	DATA PLATE	1	AUG 100	
13	16466	DATA PLATE	1	AUG 100	
14	16467	DATA PLATE	1	AUG 100	
15	16468	DATA PLATE	1	AUG 100	
16	16469	DATA PLATE	1	AUG 100	
17	16470	DATA PLATE	1	AUG 100	
18	16471	DATA PLATE	1	AUG 100	
19	16472	DATA PLATE	1	AUG 100	
20	16473	DATA PLATE	1	AUG 100	
21	16474	DATA PLATE	1	AUG 100	
22	16475	DATA PLATE	1	AUG 100	
23	16476	DATA PLATE	1	AUG 100	
24	16477	DATA PLATE	1	AUG 100	
25	16478	DATA PLATE	1	AUG 100	
26	16479	DATA PLATE	1	AUG 100	
27	16480	DATA PLATE	1	AUG 100	
28	16481	DATA PLATE	1	AUG 100	
29	16482	DATA PLATE	1	AUG 100	
30	16483	DATA PLATE	1	AUG 100	

ISSUE	NO	REVISION	CLASS	APP	RTD
2	1116	3	FLC		
1	1042	3	FLC		
X	925	3	FLC		

PROTECTIVE TREATMENT	Asy. REF	ETA 60	ITEM	PART	DESCRIPTION	QTY	UNIT	REVISION
			1	16456	INSTRUMENT PANEL CASE	1	PCB	
			2	16455	DATA PLATE	1	PCB	
			3	16457	DATA PLATE	1	PCB	
			4	16458	DATA PLATE	1	PCB	
			5	16459	DATA PLATE	1	PCB	
			6	16460	DATA PLATE	1	PCB	
			7	16461	DATA PLATE	1	PCB	
			8	16462	DATA PLATE	1	PCB	
			9	16463	DATA PLATE	1	PCB	
			10	70834	REINFORCEMENT PLATE	1	AUG 100	
			11	16464	RIVET	1	AUG 100	
			12	16465	DATA PLATE	1	AUG 100	
			13	16466	DATA PLATE	1	AUG 100	
			14	16467	DATA PLATE	1	AUG 100	
			15	16468	DATA PLATE	1	AUG 100	
			16	16469	DATA PLATE	1	AUG 100	
			17	16470	DATA PLATE	1	AUG 100	
			18	16471	DATA PLATE	1	AUG 100	
			19	16472	DATA PLATE	1	AUG 100	
			20	16473	DATA PLATE	1	AUG 100	
			21	16474	DATA PLATE	1	AUG 100	
			22	16475	DATA PLATE	1	AUG 100	
			23	16476	DATA PLATE	1	AUG 100	
			24	16477	DATA PLATE	1	AUG 100	
			25	16478	DATA PLATE	1	AUG 100	
			26	16479	DATA PLATE	1	AUG 100	
			27	16480	DATA PLATE	1	AUG 100	
			28	16481	DATA PLATE	1	AUG 100	
			29	16482	DATA PLATE	1	AUG 100	
			30	16483	DATA PLATE	1	AUG 100	

TAYLORCRAFT AEROPHOTES (ENGLAND) LTD, LEICESTER.
SCALE: FULL SIZE.
DRAWN BY: J.E.F. 5-5-44.
CHECKED BY: J.A.P. 6-5-44.
APPROVED BY: J.E.F. 6-5-44.
PART NO: JA 70172
DRG NO: E-JG 922

TYPE: AUSTER.