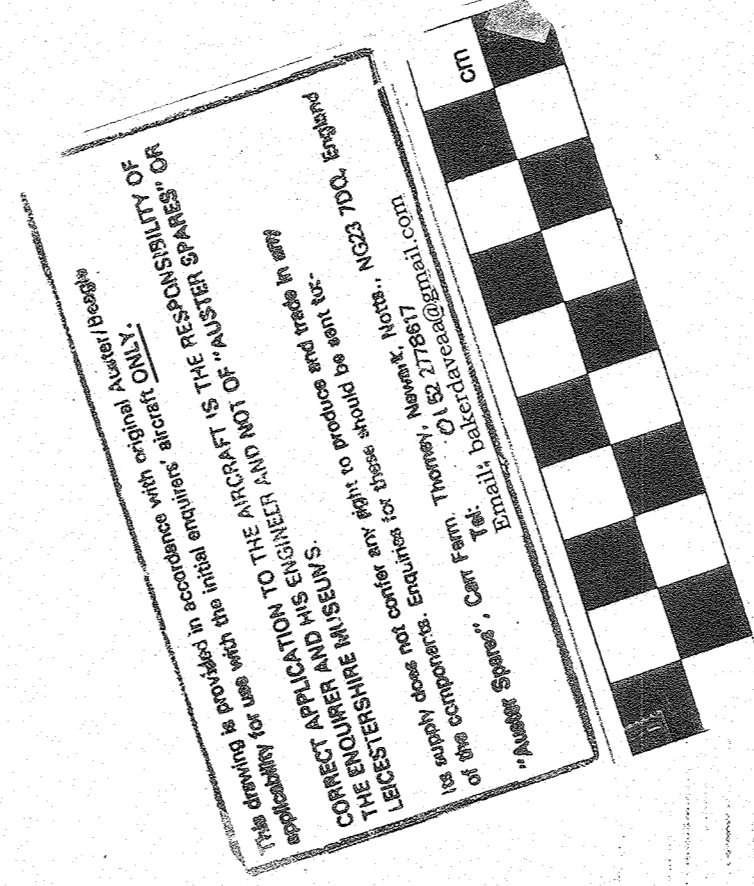
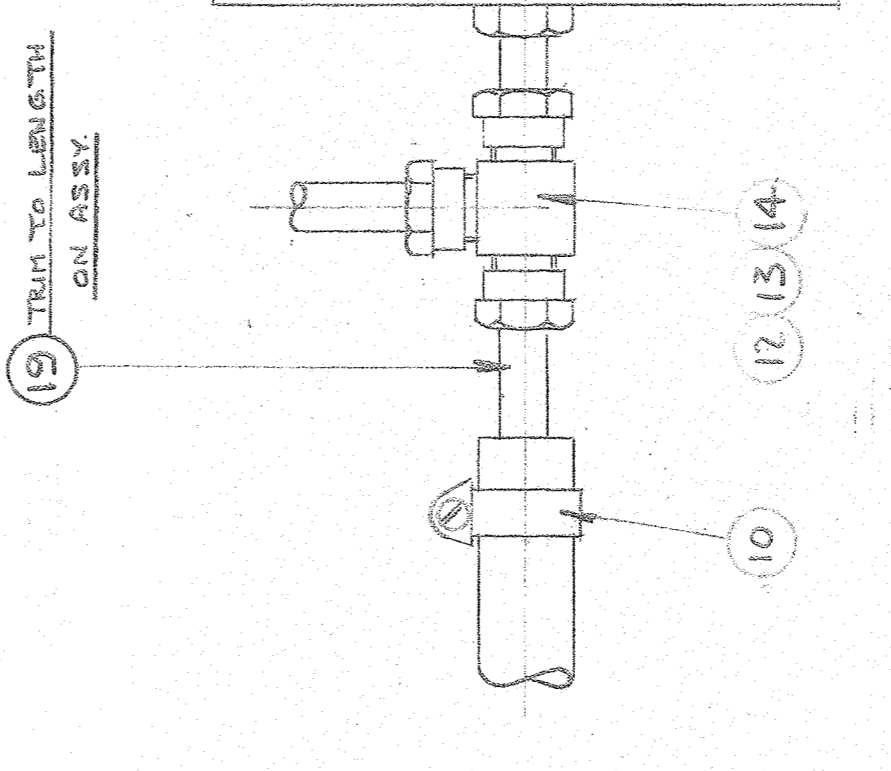
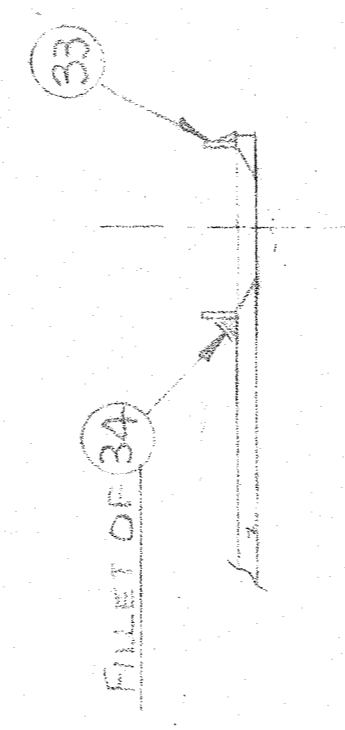
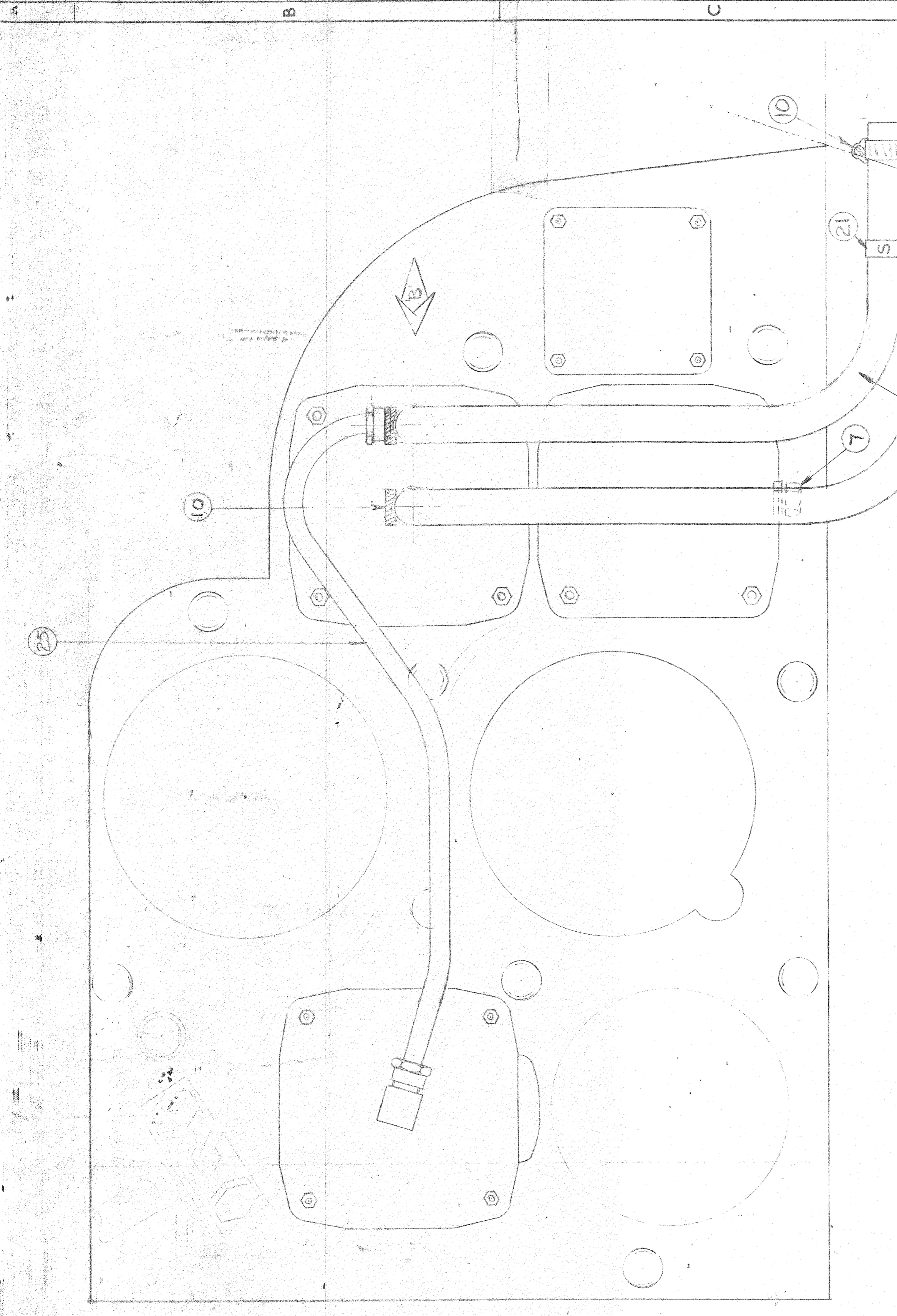
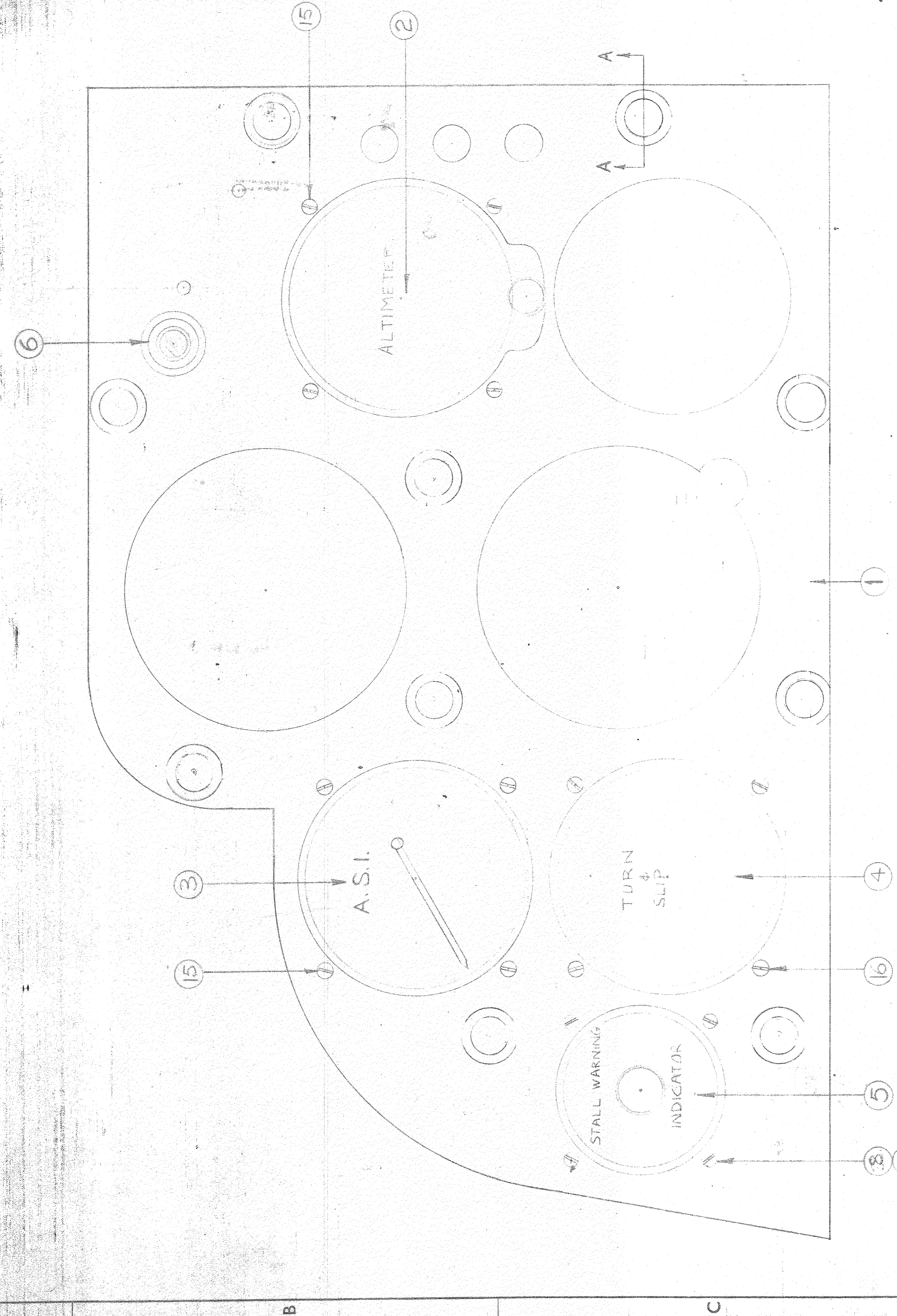


1. DO NOT SCALE DRAWING.
 2. FINISH PRODUCTION IS SHOWN.
 3. DIMENSIONS ARE IN INCHES UNLESS OTHERWISE SPECIFIED.
 4. DIMENSIONS ARE ON THE UNLESS OTHERWISE SPECIFIED.
 5. HOLE DIMENSIONS ARE ON THE UNLESS OTHERWISE SPECIFIED.
 6. DIMENSIONS ARE ON THE UNLESS OTHERWISE SPECIFIED.
 7. DIMENSIONS ARE ON THE UNLESS OTHERWISE SPECIFIED.
 8. DIMENSIONS ARE ON THE UNLESS OTHERWISE SPECIFIED.
 9. DIMENSIONS ARE ON THE UNLESS OTHERWISE SPECIFIED.



ITEM NO.	DESCRIPTION	QTY.	UNIT	ASSEMBLY	APPROVAL	WEIGHT	ACTUAL
30	21 U 7546-4 CLF A - STAG C	1	PCB	1			
29	20 U 7546-3 CLF B - PRESERVE	1	PCB	1			
28	19 U 7546-2 CLF A - STAG C	1	PCB	1			
27	18 U 7546-1 CLF B - PRESERVE	1	PCB	1			
26	17 U 7546-4 CLF A - STAG C	1	PCB	1			
25	16 U 7546-3 CLF B - PRESERVE	1	PCB	1			
24	15 U 7546-2 CLF A - STAG C	1	PCB	1			
23	14 U 7546-1 CLF B - PRESERVE	1	PCB	1			
22	13 U 7546-4 CLF A - STAG C	1	PCB	1			
21	12 U 7546-3 CLF B - PRESERVE	1	PCB	1			
20	11 U 7546-2 CLF A - STAG C	1	PCB	1			
19	10 U 7546-1 CLF B - PRESERVE	1	PCB	1			
18	9 U 7546-4 CLF A - STAG C	1	PCB	1			
17	8 U 7546-3 CLF B - PRESERVE	1	PCB	1			
16	7 U 7546-2 CLF A - STAG C	1	PCB	1			
15	6 U 7546-1 CLF B - PRESERVE	1	PCB	1			
14	5 U 7546-4 CLF A - STAG C	1	PCB	1			
13	4 U 7546-3 CLF B - PRESERVE	1	PCB	1			
12	3 U 7546-2 CLF A - STAG C	1	PCB	1			
11	2 U 7546-1 CLF B - PRESERVE	1	PCB	1			
10	1 U 7546-4 CLF A - STAG C	1	PCB	1			
9	1 U 7546-3 CLF B - PRESERVE	1	PCB	1			
8	1 U 7546-2 CLF A - STAG C	1	PCB	1			
7	1 U 7546-1 CLF B - PRESERVE	1	PCB	1			
6	1 U 7546-4 CLF A - STAG C	1	PCB	1			
5	1 U 7546-3 CLF B - PRESERVE	1	PCB	1			
4	1 U 7546-2 CLF A - STAG C	1	PCB	1			
3	1 U 7546-1 CLF B - PRESERVE	1	PCB	1			
2	1 U 7546-4 CLF A - STAG C	1	PCB	1			
1	1 U 7546-3 CLF B - PRESERVE	1	PCB	1			

ITEM NO.	DESCRIPTION	QTY.	UNIT	ASSEMBLY	APPROVAL	WEIGHT	ACTUAL
34	ARCALDITE	1	PCB	1			
33	1703396 LIGHT SHIELD	1	PCB	1			
32	1703397 LIGHT SHIELD	1	PCB	1			
31	1703398 LIGHT SHIELD	1	PCB	1			
30	1703399 LIGHT SHIELD	1	PCB	1			
29	1703400 LIGHT SHIELD	1	PCB	1			
28	1703401 LIGHT SHIELD	1	PCB	1			
27	1703402 LIGHT SHIELD	1	PCB	1			
26	1703403 LIGHT SHIELD	1	PCB	1			
25	1703404 LIGHT SHIELD	1	PCB	1			
24	1703405 LIGHT SHIELD	1	PCB	1			
23	1703406 LIGHT SHIELD	1	PCB	1			
22	1703407 LIGHT SHIELD	1	PCB	1			
21	1703408 LIGHT SHIELD	1	PCB	1			
20	1703409 LIGHT SHIELD	1	PCB	1			
19	1703410 LIGHT SHIELD	1	PCB	1			
18	1703411 LIGHT SHIELD	1	PCB	1			
17	1703412 LIGHT SHIELD	1	PCB	1			
16	1703413 LIGHT SHIELD	1	PCB	1			
15	1703414 LIGHT SHIELD	1	PCB	1			
14	1703415 LIGHT SHIELD	1	PCB	1			
13	1703416 LIGHT SHIELD	1	PCB	1			
12	1703417 LIGHT SHIELD	1	PCB	1			
11	1703418 LIGHT SHIELD	1	PCB	1			
10	1703419 LIGHT SHIELD	1	PCB	1			
9	1703420 LIGHT SHIELD	1	PCB	1			
8	1703421 LIGHT SHIELD	1	PCB	1			
7	1703422 LIGHT SHIELD	1	PCB	1			
6	1703423 LIGHT SHIELD	1	PCB	1			
5	1703424 LIGHT SHIELD	1	PCB	1			
4	1703425 LIGHT SHIELD	1	PCB	1			
3	1703426 LIGHT SHIELD	1	PCB	1			
2	1703427 LIGHT SHIELD	1	PCB	1			
1	1703428 LIGHT SHIELD	1	PCB	1			

LOFF REOD PER A/C

TYPE	SCALE	ASY. NO.	WEIGHT	DATE	FLUX	ISSUE	APPROVAL	WEIGHT	ACTUAL
AID3	1/16"	F433260	0.015	1/15/52		1			
AID3	1/16"	F433260	0.015	1/15/52		2			
AID3	1/16"	F433260	0.015	1/15/52		3			
AID3	1/16"	F433260	0.015	1/15/52		4			
AID3	1/16"	F433260	0.015	1/15/52		5			
AID3	1/16"	F433260	0.015	1/15/52		6			
AID3	1/16"	F433260	0.015	1/15/52		7			
AID3	1/16"	F433260	0.015	1/15/52		8			
AID3	1/16"	F433260	0.015	1/15/52		9			
AID3	1/16"	F433260	0.015	1/15/52		10			
AID3	1/16"	F433260	0.015	1/15/52		11			
AID3	1/16"	F433260	0.015	1/15/52		12			
AID3	1/16"	F433260	0.015	1/15/52		13			
AID3	1/16"	F433260	0.015	1/15/52		14			
AID3	1/16"	F433260	0.015	1/15/52		15			
AID3	1/16"	F433260	0.015	1/15/52		16			
AID3	1/16"	F433260	0.015	1/15/52		17			
AID3	1/16"	F433260	0.015	1/15/52		18			
AID3	1/16"	F433260	0.015	1/15/52		19			
AID3	1/16"	F433260	0.015	1/15/52		20			
AID3	1/16"	F433260	0.015	1/15/52		21			
AID3	1/16"	F433260	0.015	1/15/52		22			
AID3	1/16"	F433260	0.015	1/15/52		23			
AID3	1/16"	F433260	0.015	1/15/52		24			
AID3	1/16"	F433260	0.015	1/15/52		25			
AID3	1/16"	F433260	0.015	1/15/52		26			
AID3	1/16"	F433260	0.015	1/15/52		27			
AID3	1/16"	F433260	0.015	1/15/52		28			
AID3	1/16"	F433260	0.015	1/15/52		29			
AID3	1/16"	F433260	0.015	1/15/52		30			

BEGGLE-AUSTER AIRCRAFT LTD. LEICESTER.
 TITLE: INSTRUMENT PANEL ASSEMBLY - BEAGLE FL 300
 PART NO. JA 704 082
 ISSUE: 1