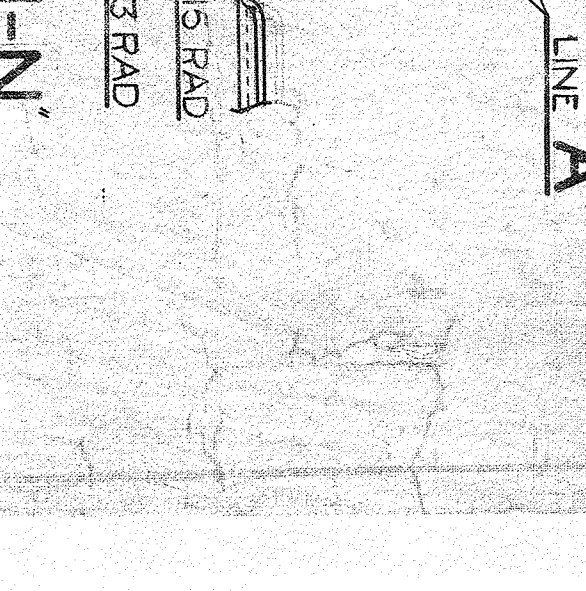
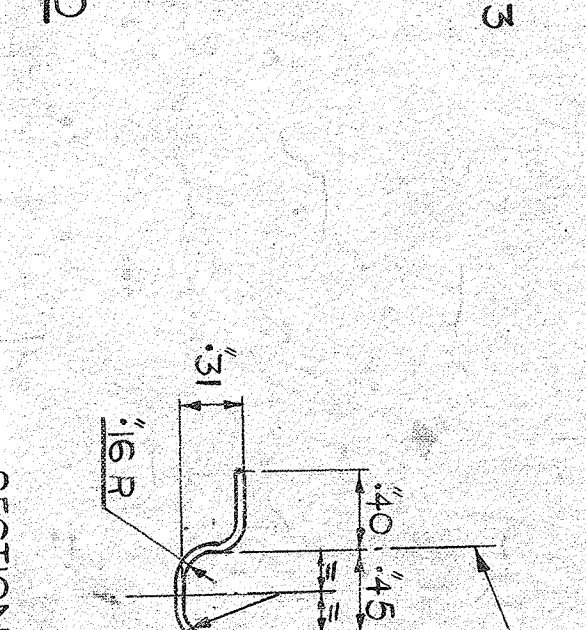
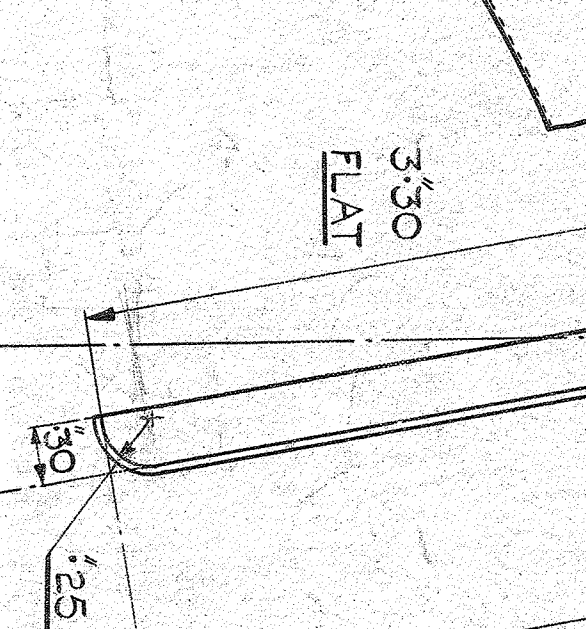
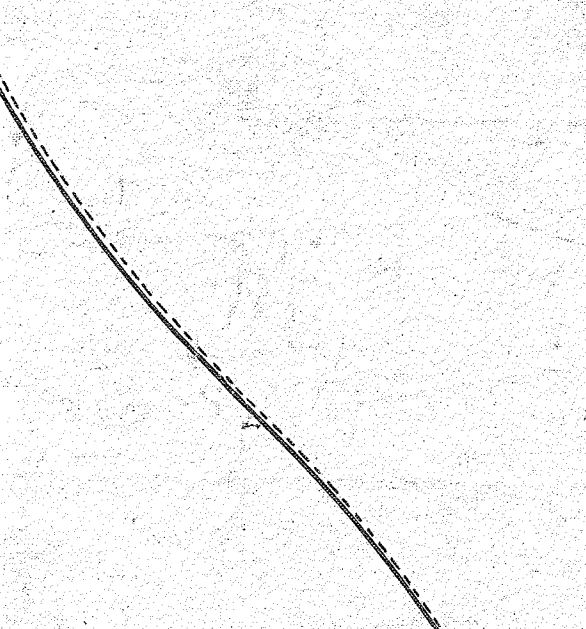
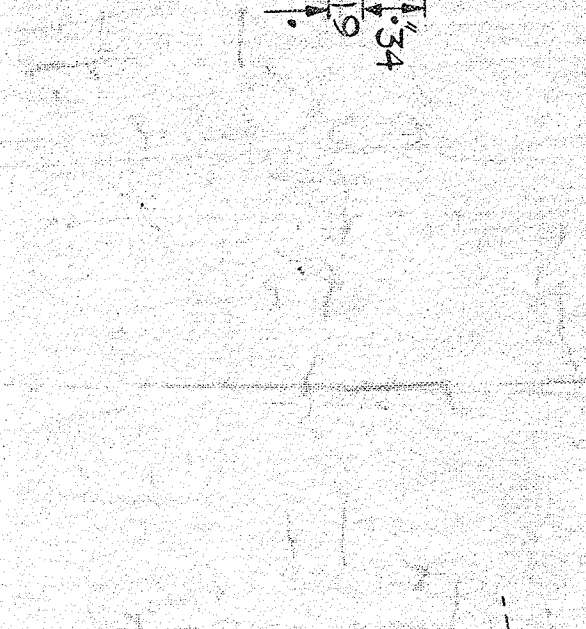
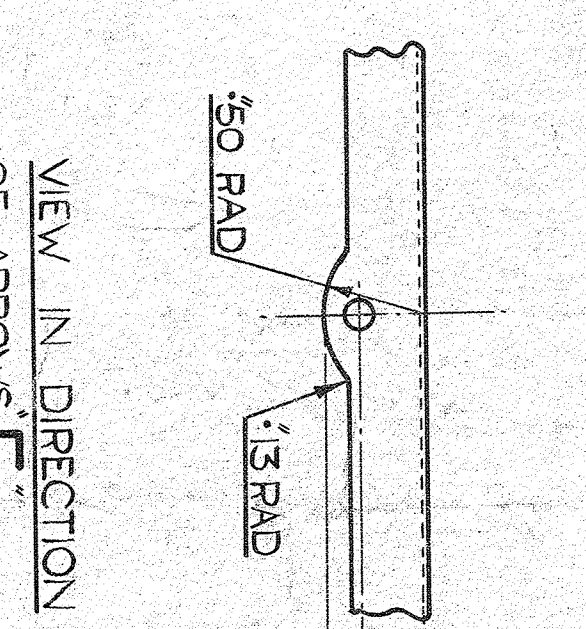
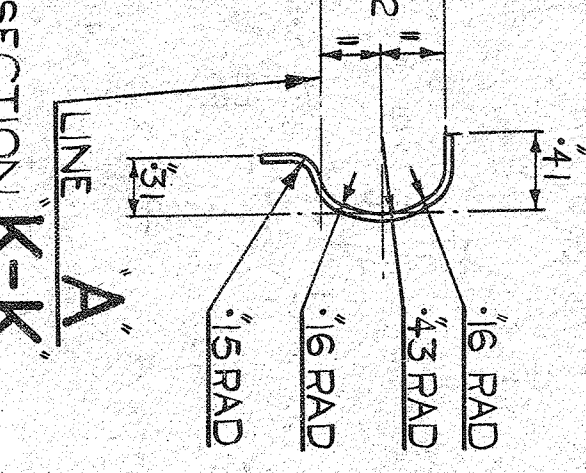
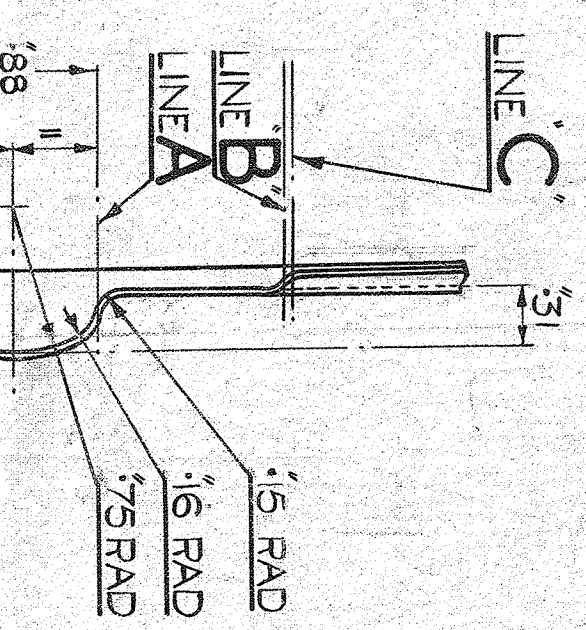
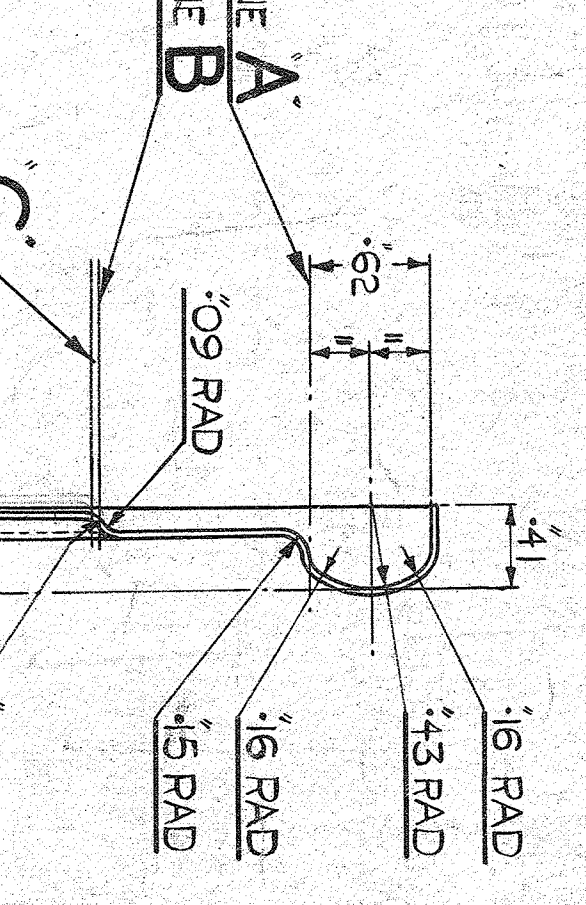
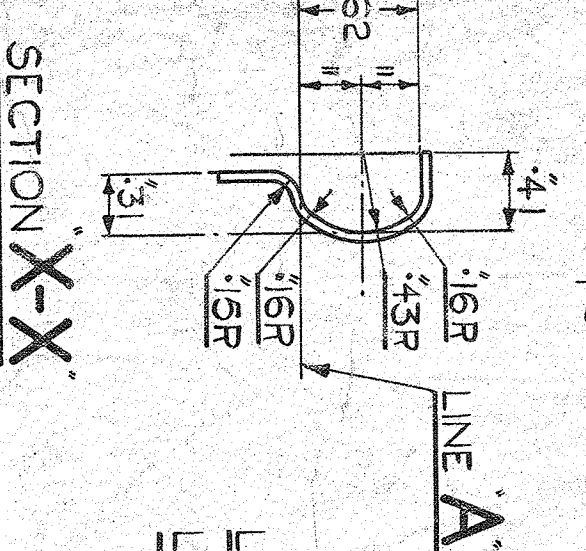
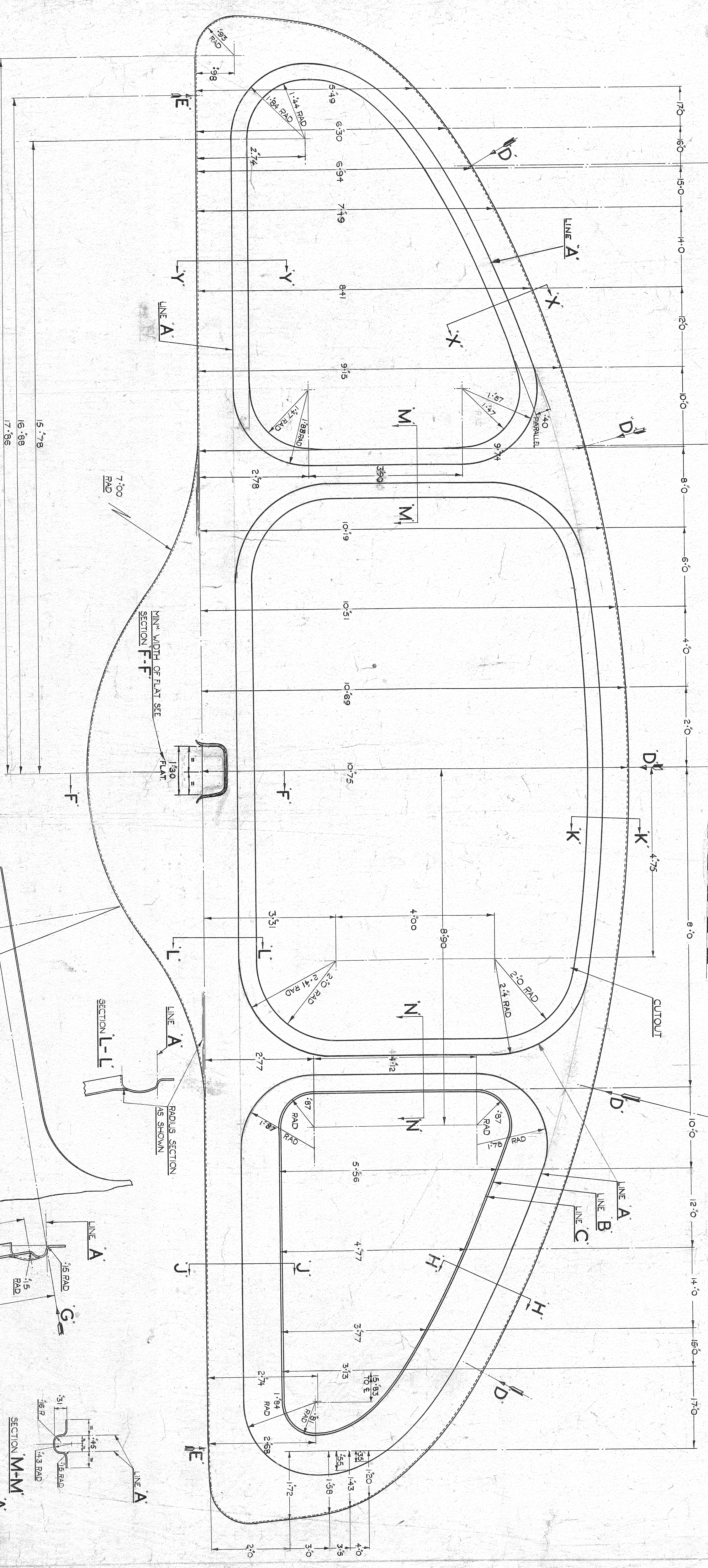
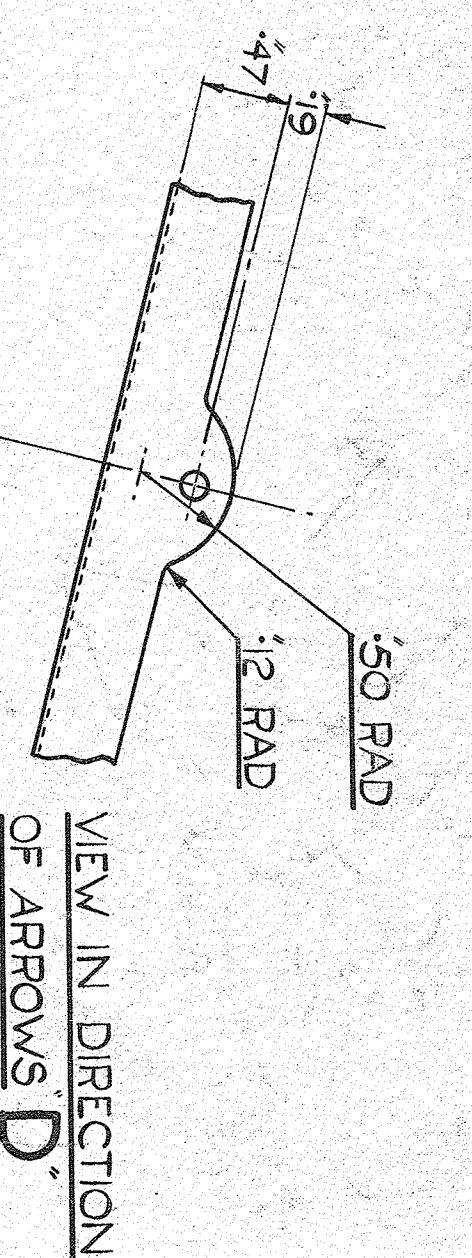
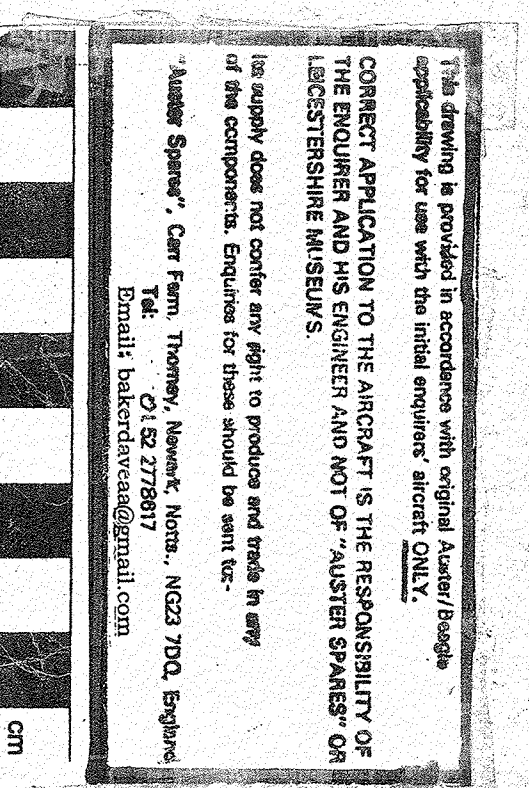


1. THIS DRAWING IS THE PROPERTY OF THE AIRCRAFT MANUFACTURER AND IS NOT TO BE REPRODUCED OR TRANSMITTED IN ANY FORM OR BY ANY MEANS, ELECTRONIC OR MECHANICAL, INCLUDING PHOTOCOPYING, RECORDING, OR BY ANY INFORMATION STORAGE AND RETRIEVAL SYSTEM. THE AIRCRAFT MANUFACTURER ASSUMES NO LIABILITY FOR OPERATIONS ON AIRCRAFT EQUIPMENT DRAWINGS WHICH HAVE BEEN MODIFIED FROM THE ORIGINAL DRAWING.



NOTES: WHERE RADII ARE NOT TANGENTIAL TO STRAIGHT LINES THEY SHOULD JOIN THE LINES WITH A SMOOTH CURVE.
PANEL IS SYMMETRICAL ABOUT & EXCEPT FOR PORT SIDE CUT-OUT ALL DIMENSIONS ARE TAKEN TO THE INSIDE OF METAL.
ALL HOLES ARE NO. 24 DRILL, 0.002 DIA.
PANEL TO BE FINISHED ON AFT FACE TO CERUUX CRINKLE STONE ENAMEL BLACK OR CRYSTALLINE BLACK.

TRUE VIEW IN DIRECTION OF ARROW G

REV	DATE	BY	CHKD	DESCRIPTION
H	1994			
G	1982			
F	1973			
E	1943			
D	1918			
C				
B				
A				

CIVIL AIRCRAFT