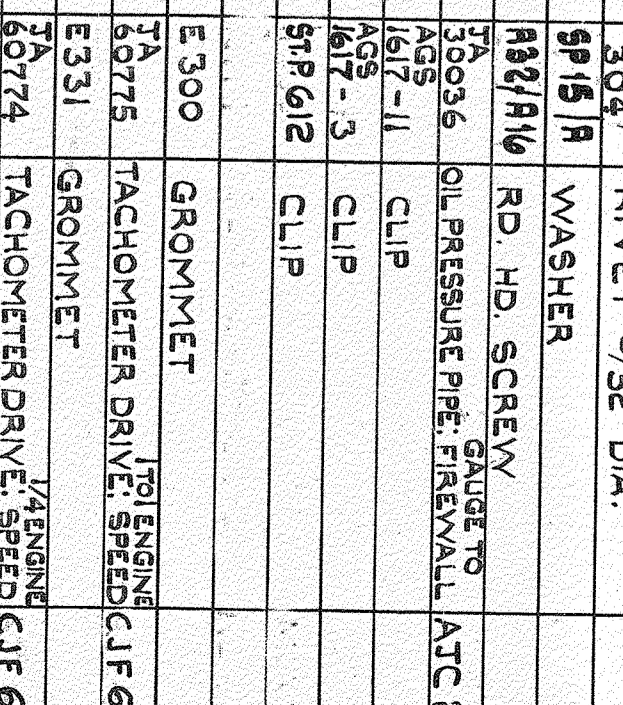
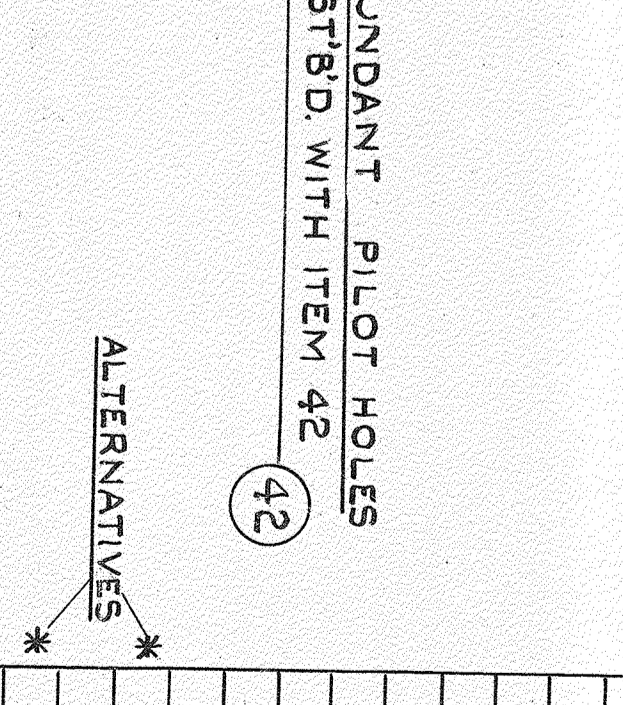
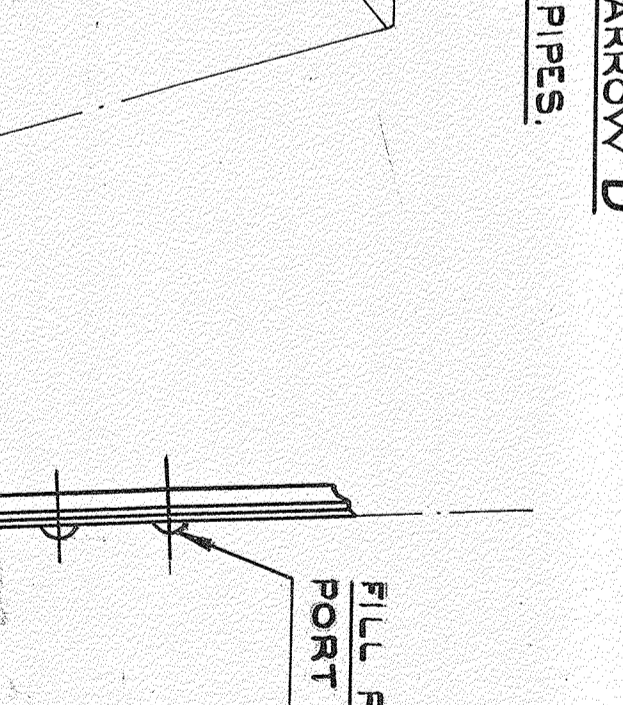
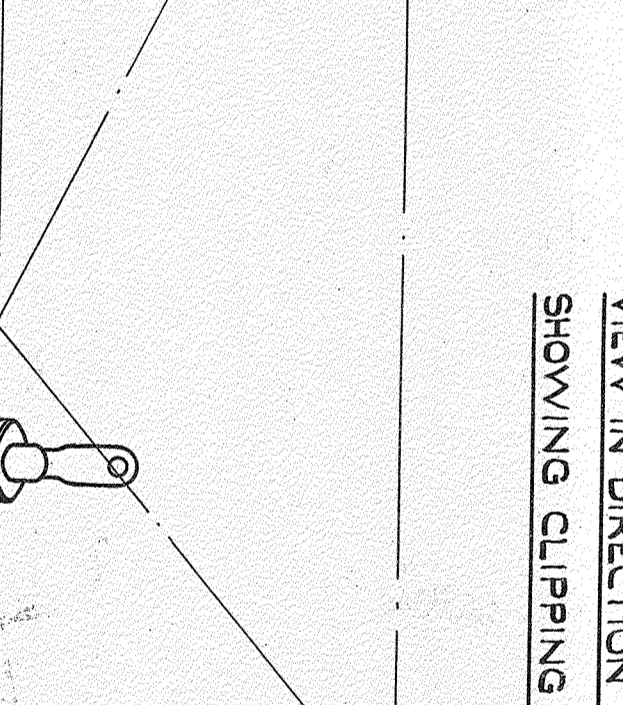
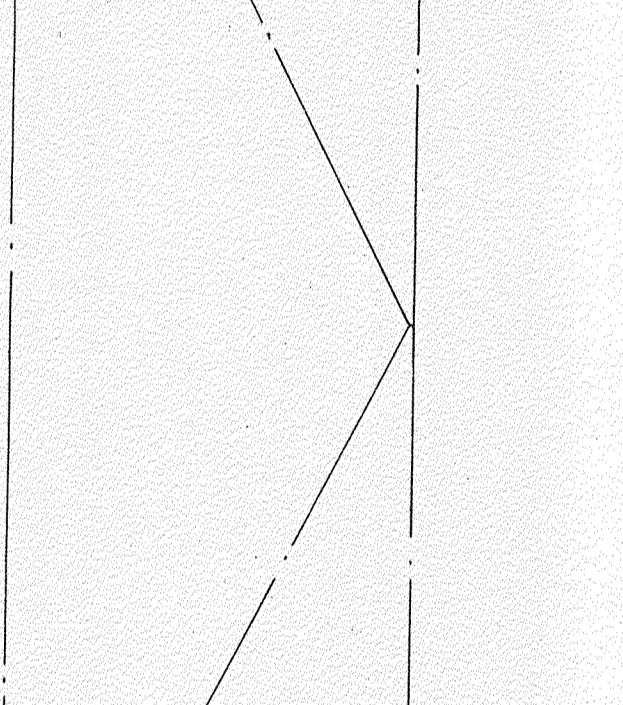
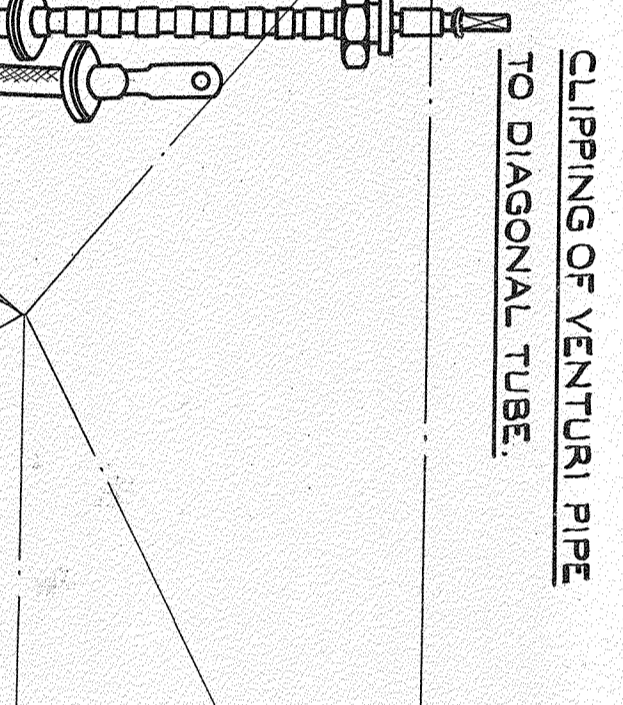
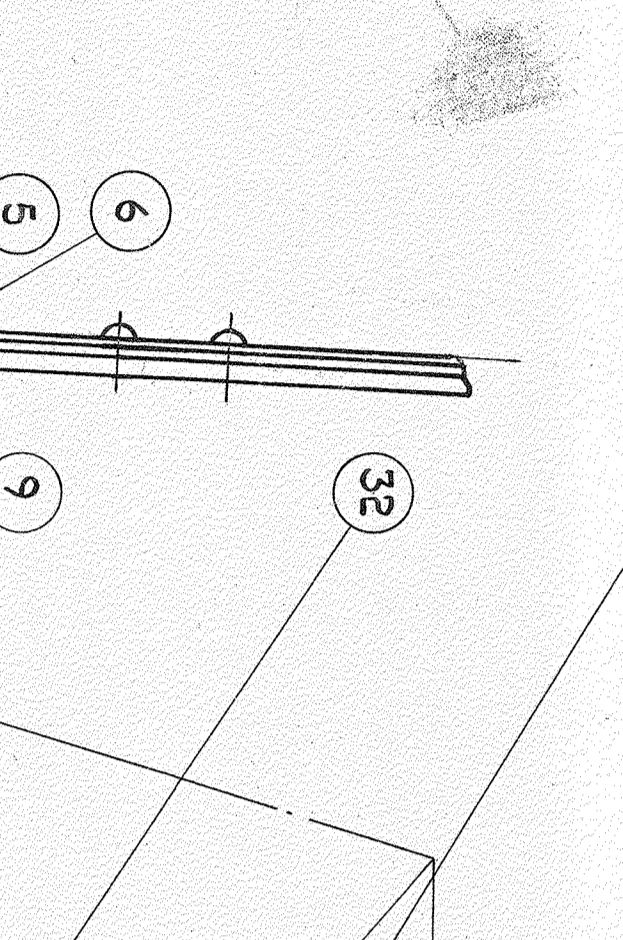
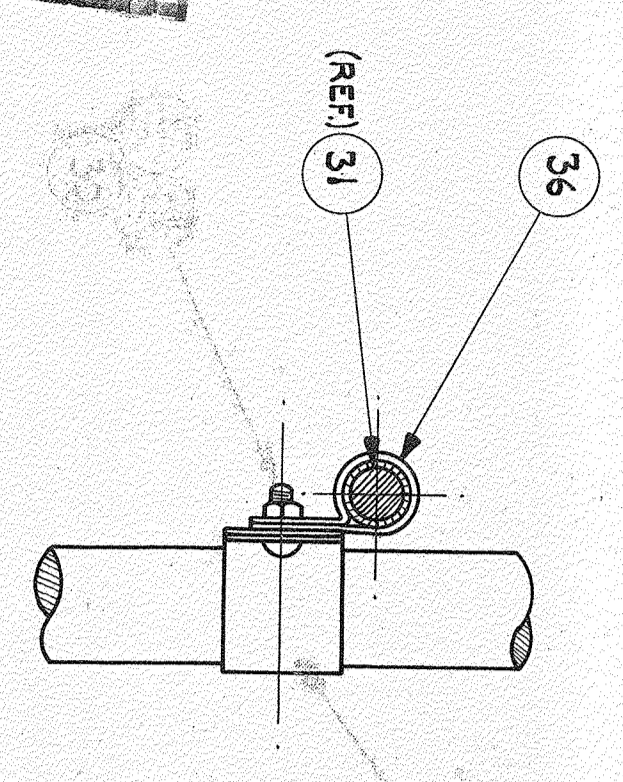
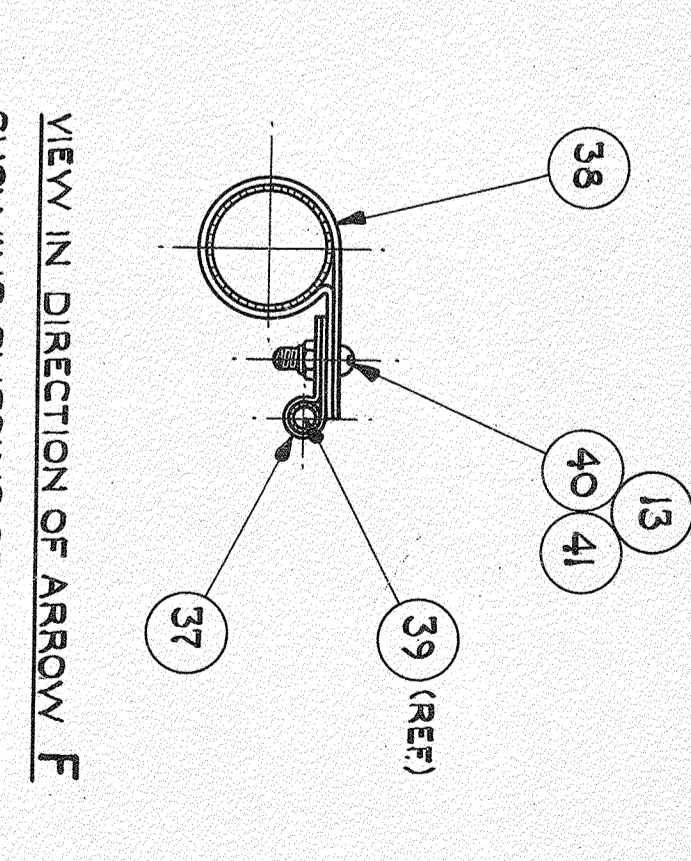
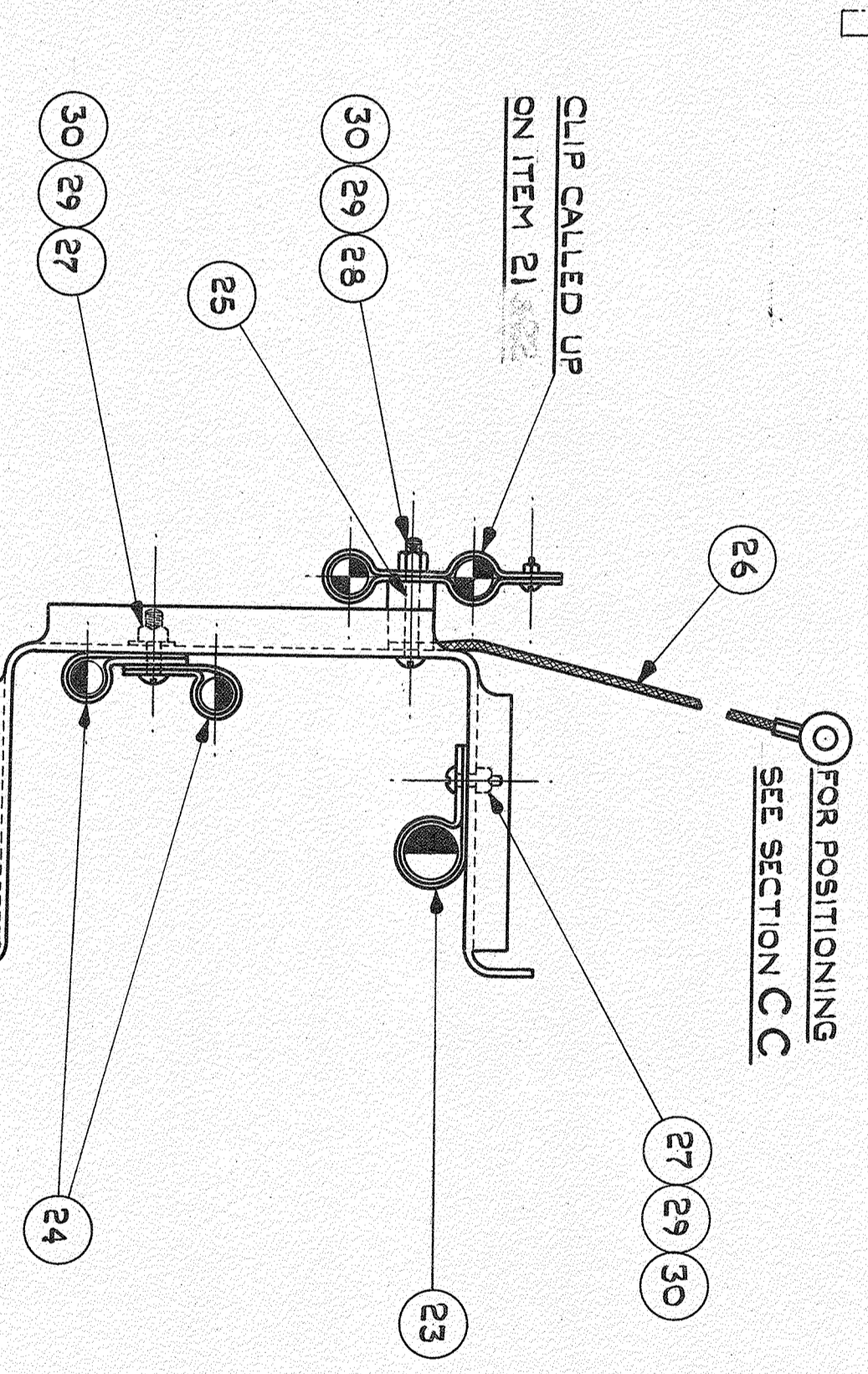
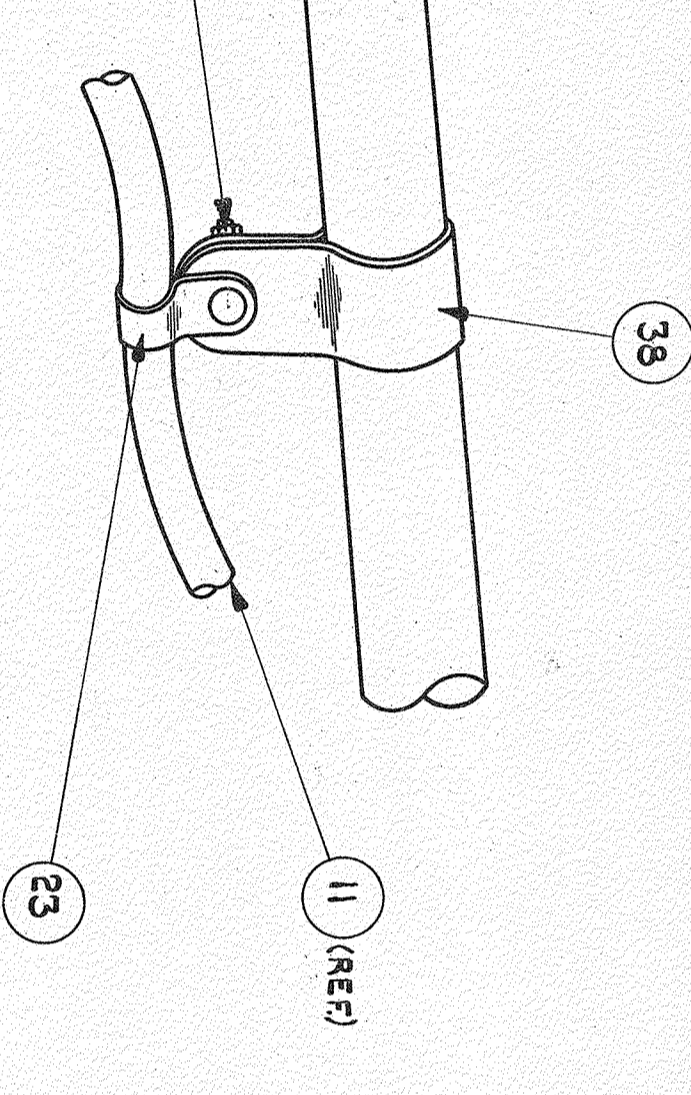
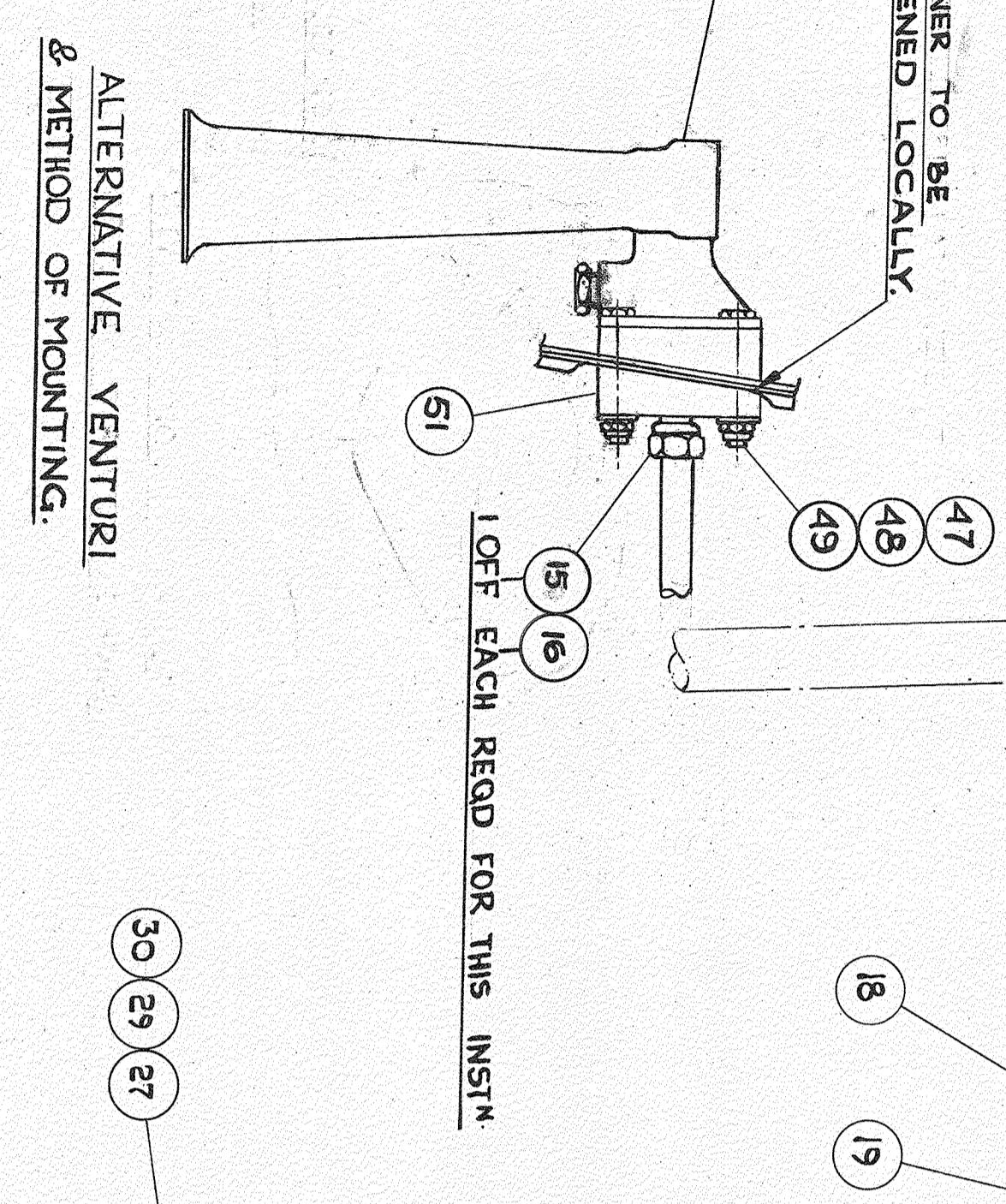
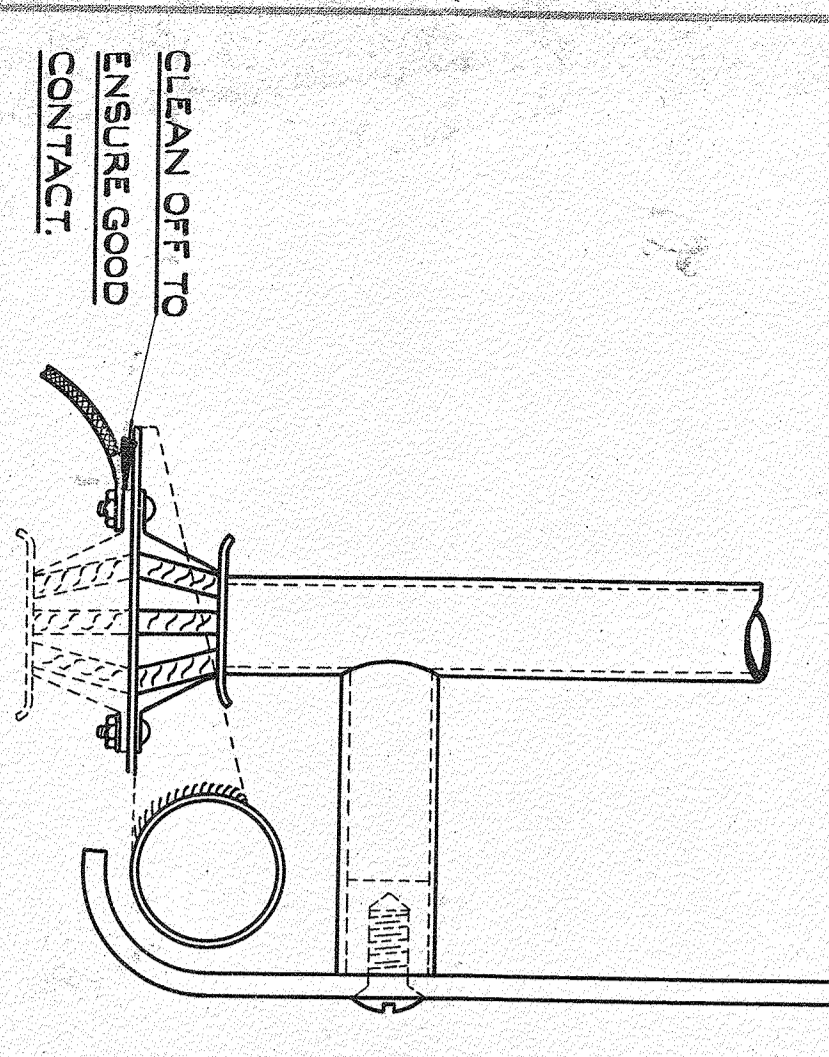
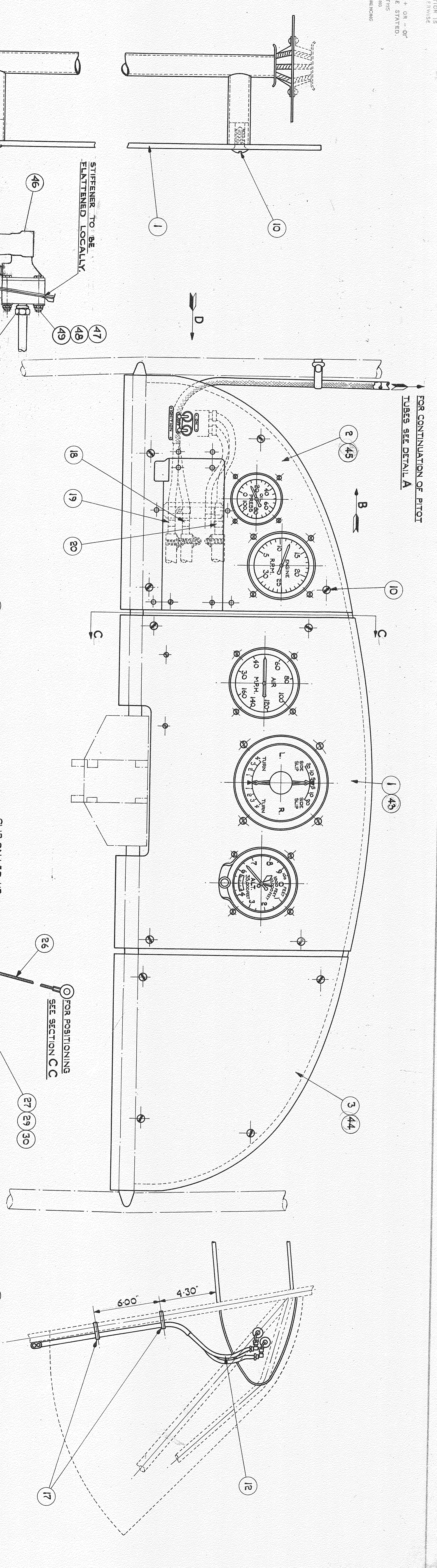


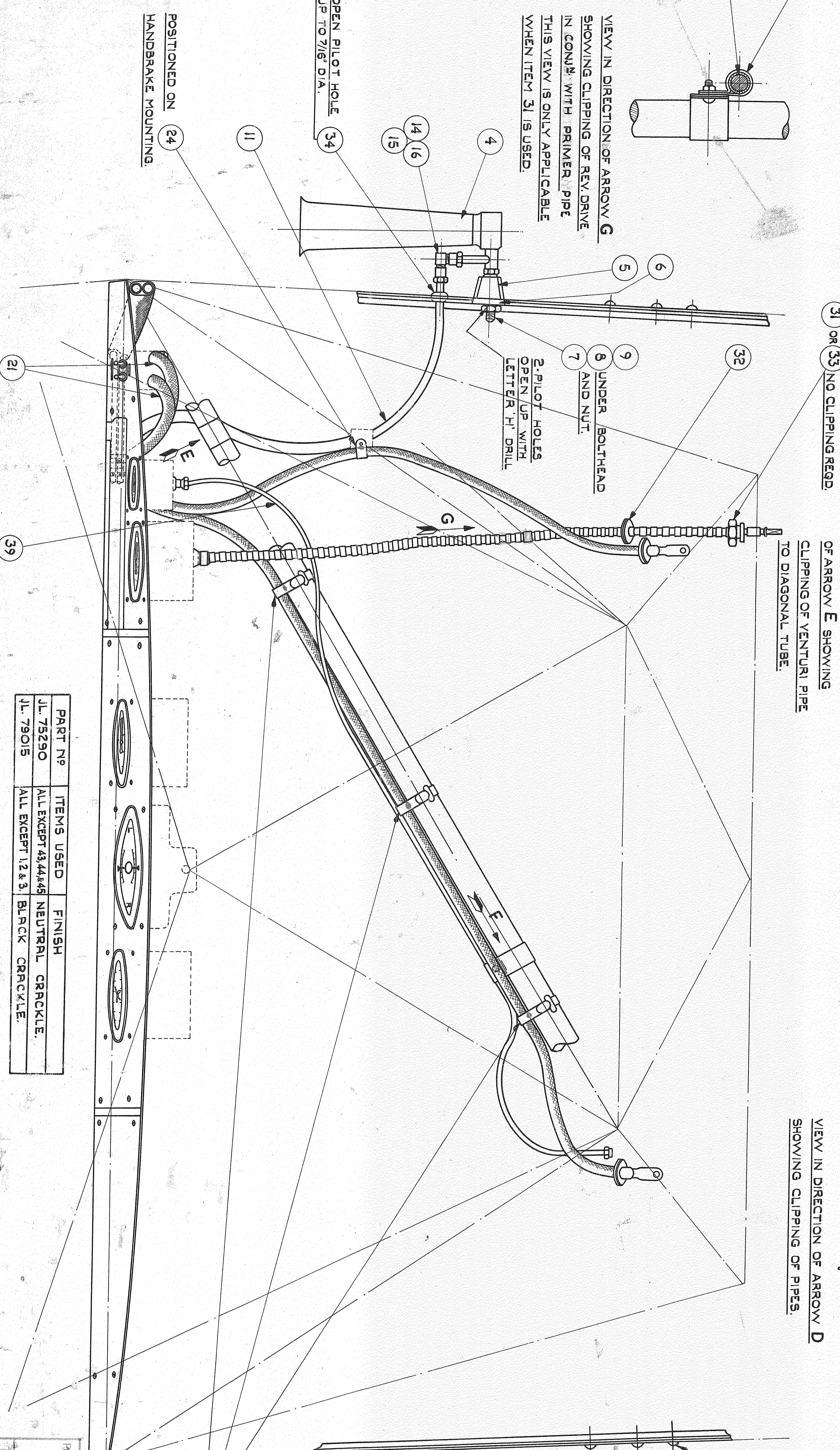
1. 100 PART SCALE DRAWING
 2. ENGLISH PRODUCTION IS STAFFED
 3. DIMENSIONS ON 4, 10, 10'-0" UNLESS OTHERWISE SPECIFIED
 4. DIMENSIONS ABOUT THIS DRAWING SHALL BE THE BASIS OF ALL OFFICE, SHOP, AND FIELD OPERATIONS



THIS DRAWING IS A PROPERTY OF THE AIR FORCE AND IS TO BE KEPT IN THE OFFICE OF THE AIR FORCE ENGINEERING AND AIRCRAFT RESEARCH ESTABLISHMENT AND NOT TO BE REPRODUCED OR TRANSMITTED IN ANY FORM OR BY ANY MEANS, ELECTRONIC OR MECHANICAL, INCLUDING PHOTOCOPYING, RECORDING, OR BY ANY INFORMATION STORAGE AND RETRIEVAL SYSTEM. THIS DRAWING IS THE PROPERTY OF THE AIR FORCE AND IS TO BE KEPT IN THE OFFICE OF THE AIR FORCE ENGINEERING AND AIRCRAFT RESEARCH ESTABLISHMENT AND NOT TO BE REPRODUCED OR TRANSMITTED IN ANY FORM OR BY ANY MEANS, ELECTRONIC OR MECHANICAL, INCLUDING PHOTOCOPYING, RECORDING, OR BY ANY INFORMATION STORAGE AND RETRIEVAL SYSTEM.

- NOTES:
- ITEMS 8, 19 TO BE POSITIONED SO AS TO BE EASILY IDENTIFIED FROM INSPECTION DOOR.
 - IDENTIFICATION CODE FOR PIPES PORT VENTURI, FROM TURN & BANK IGNITION LEADS, FROM SWITCH STATIC LINE FROM WINGS.
 - ITEM 10 TO BE CADMIUM PLATED.

ITEM NO.	DESCRIPTION	QTY
1	SPACER	1
2	WASHER	2
3	BOLT	2
4	WASHER	2
5	WASHER	2
6	WASHER	2
7	WASHER	2
8	WASHER	2
9	WASHER	2
10	WASHER	2
11	WASHER	2
12	WASHER	2
13	WASHER	2
14	WASHER	2
15	WASHER	2
16	WASHER	2
17	WASHER	2
18	WASHER	2
19	WASHER	2
20	WASHER	2
21	WASHER	2
22	WASHER	2
23	WASHER	2
24	WASHER	2
25	WASHER	2
26	WASHER	2
27	WASHER	2
28	WASHER	2
29	WASHER	2
30	WASHER	2
31	WASHER	2
32	WASHER	2
33	WASHER	2
34	WASHER	2
35	WASHER	2
36	WASHER	2
37	WASHER	2
38	WASHER	2
39	WASHER	2
40	WASHER	2
41	WASHER	2
42	WASHER	2
43	WASHER	2
44	WASHER	2
45	WASHER	2
46	WASHER	2
47	WASHER	2
48	WASHER	2
49	WASHER	2
50	WASHER	2
51	WASHER	2



ITEM NO.	DESCRIPTION	QTY
1	SPACER	1
2	WASHER	2
3	BOLT	2
4	WASHER	2
5	WASHER	2
6	WASHER	2
7	WASHER	2
8	WASHER	2
9	WASHER	2
10	WASHER	2
11	WASHER	2
12	WASHER	2
13	WASHER	2
14	WASHER	2
15	WASHER	2
16	WASHER	2
17	WASHER	2
18	WASHER	2
19	WASHER	2
20	WASHER	2
21	WASHER	2
22	WASHER	2
23	WASHER	2
24	WASHER	2
25	WASHER	2
26	WASHER	2
27	WASHER	2
28	WASHER	2
29	WASHER	2
30	WASHER	2
31	WASHER	2
32	WASHER	2
33	WASHER	2
34	WASHER	2
35	WASHER	2
36	WASHER	2
37	WASHER	2
38	WASHER	2
39	WASHER	2
40	WASHER	2
41	WASHER	2
42	WASHER	2
43	WASHER	2
44	WASHER	2
45	WASHER	2
46	WASHER	2
47	WASHER	2
48	WASHER	2
49	WASHER	2
50	WASHER	2
51	WASHER	2

PROJECTIVE: ASBY NO. 175290
 TREATMENT: FA829 FA 605 FA 996
 SCALE: 1/2, 1/1 & 1/4
 TITLE: INST. OF STANDARD INSTRUMENT PANELS