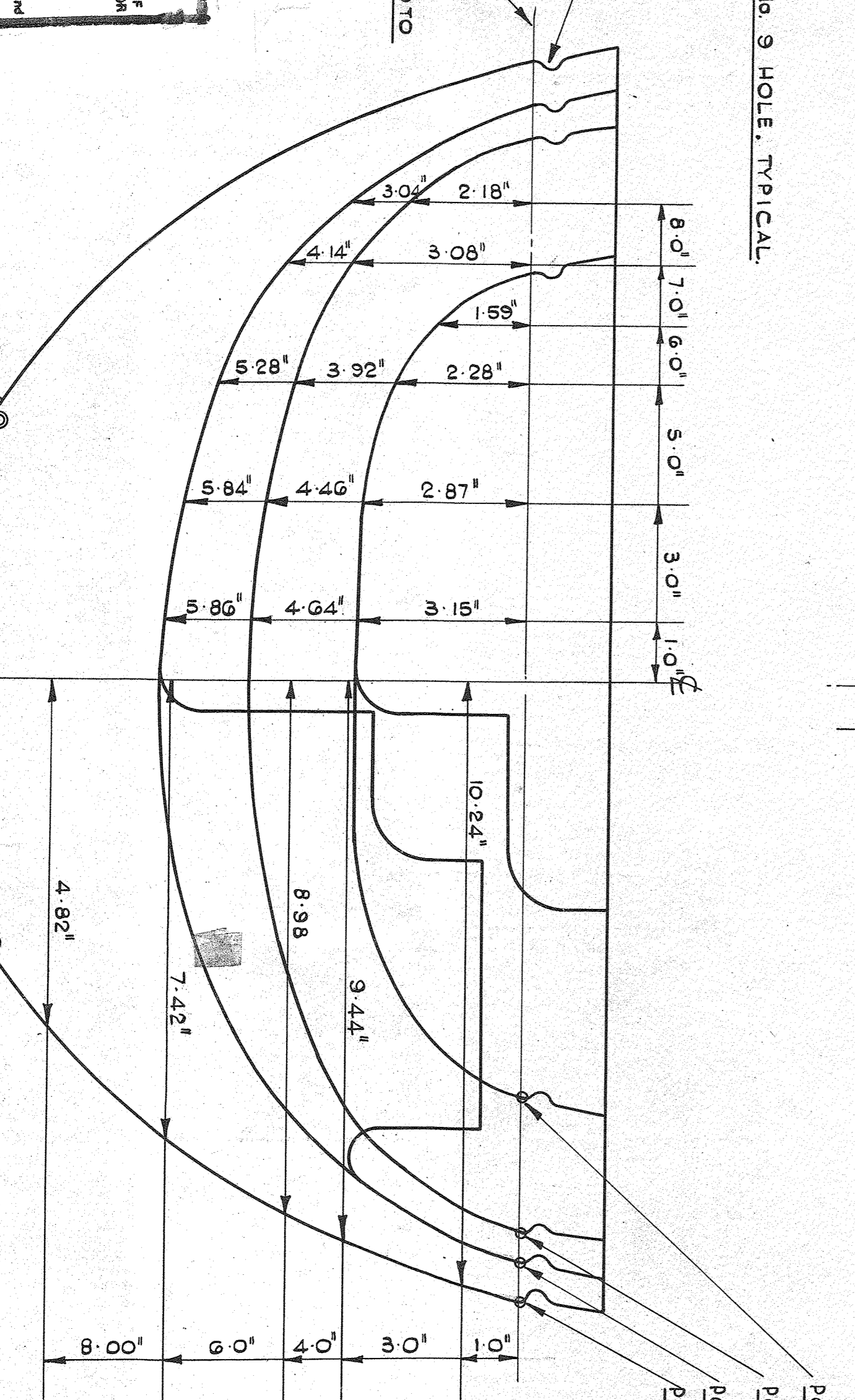
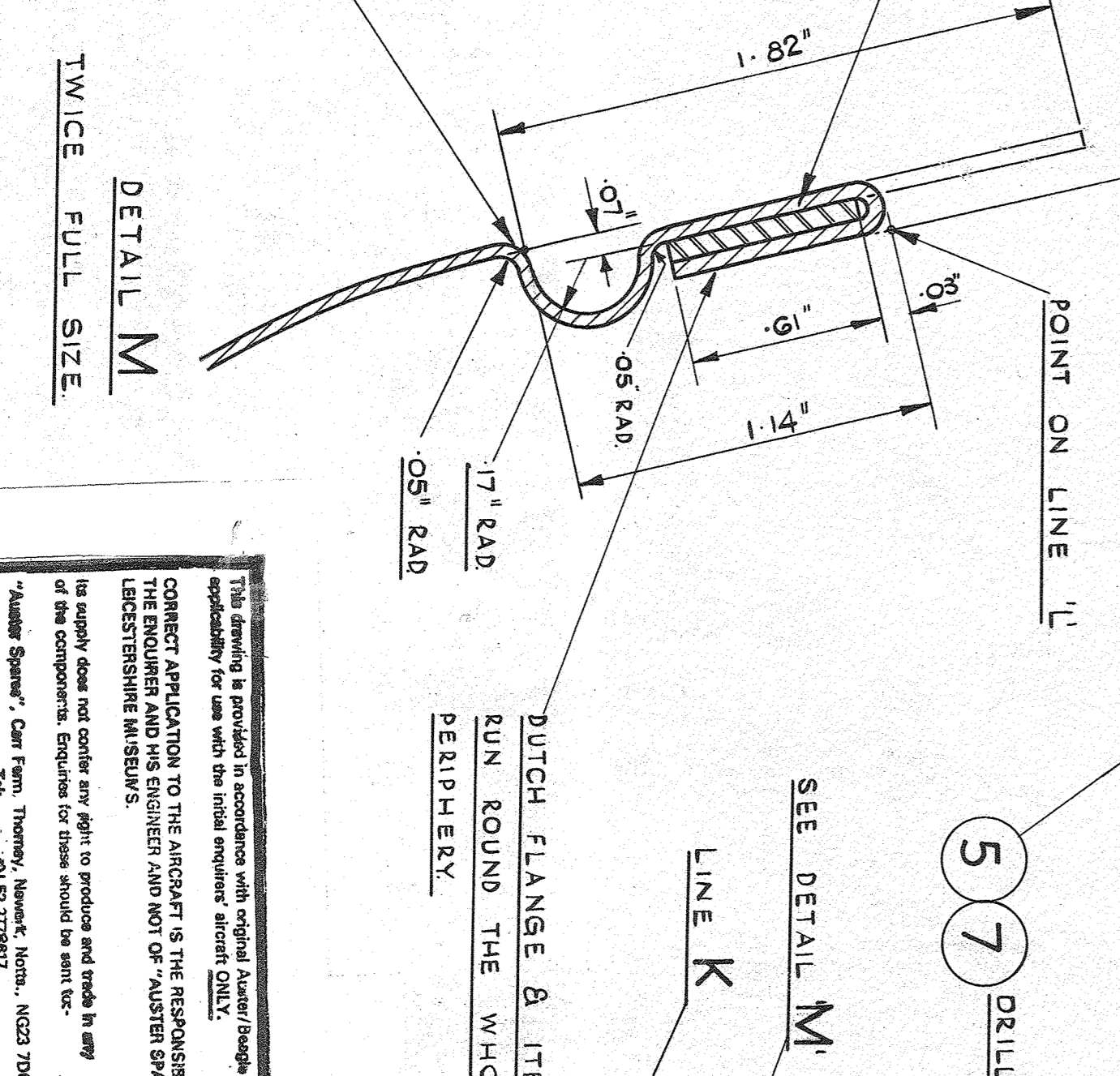
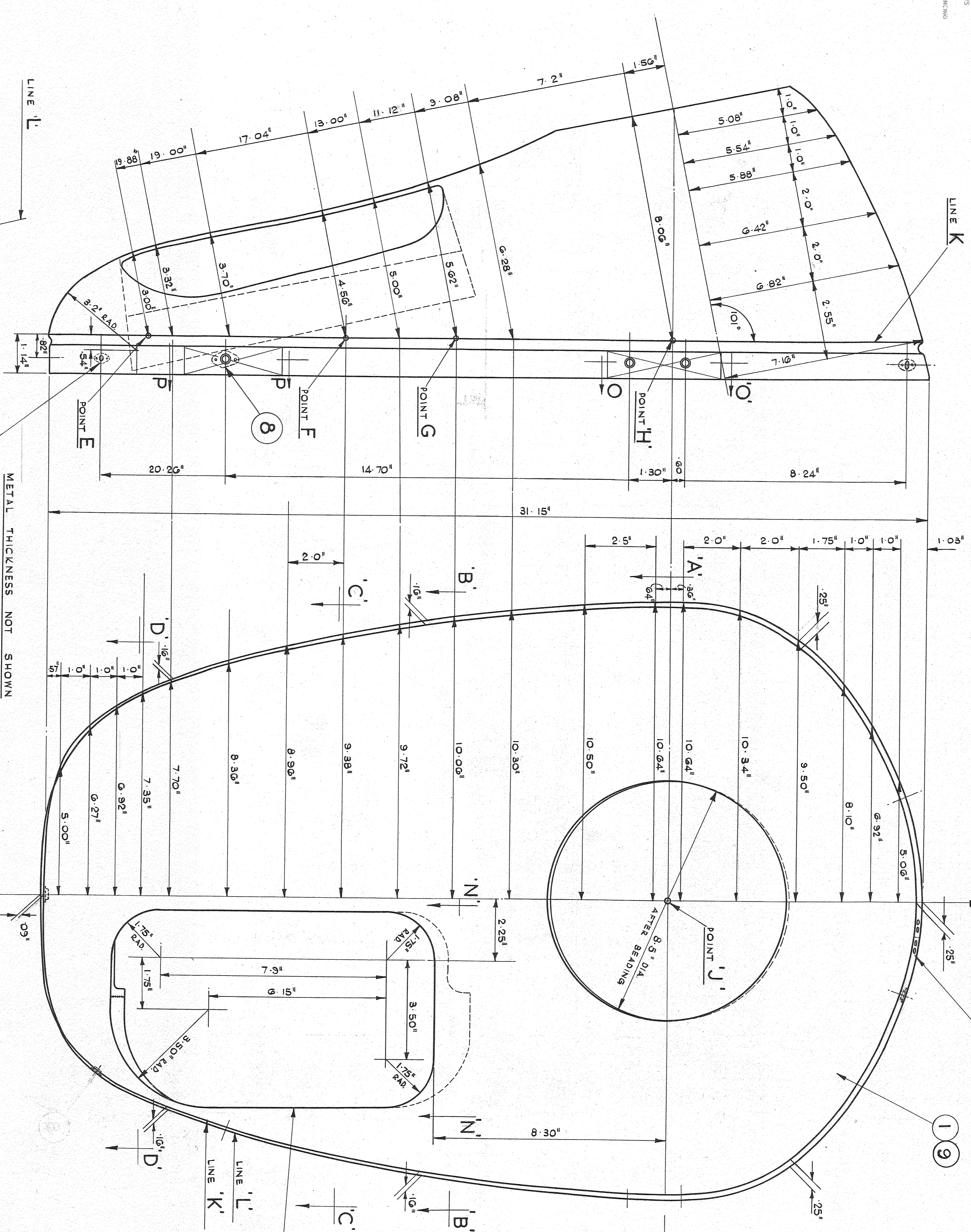


1. NO NOT SCALE DRAWING
 2. ENGLISH PROJECTION IS USED
 3. DIMENSIONS ARE + OR - .005 UNLESS OTHERWISE SPECIFIED
 4. DIMENSIONS ARE IN INCHES UNLESS OTHERWISE SPECIFIED
 5. DIMENSIONS ARE IN MILLIMETERS UNLESS OTHERWISE SPECIFIED
 6. DIMENSIONS ARE IN METERS UNLESS OTHERWISE SPECIFIED



SECTIONS

A-A
 B-B
 C-C
 D-D

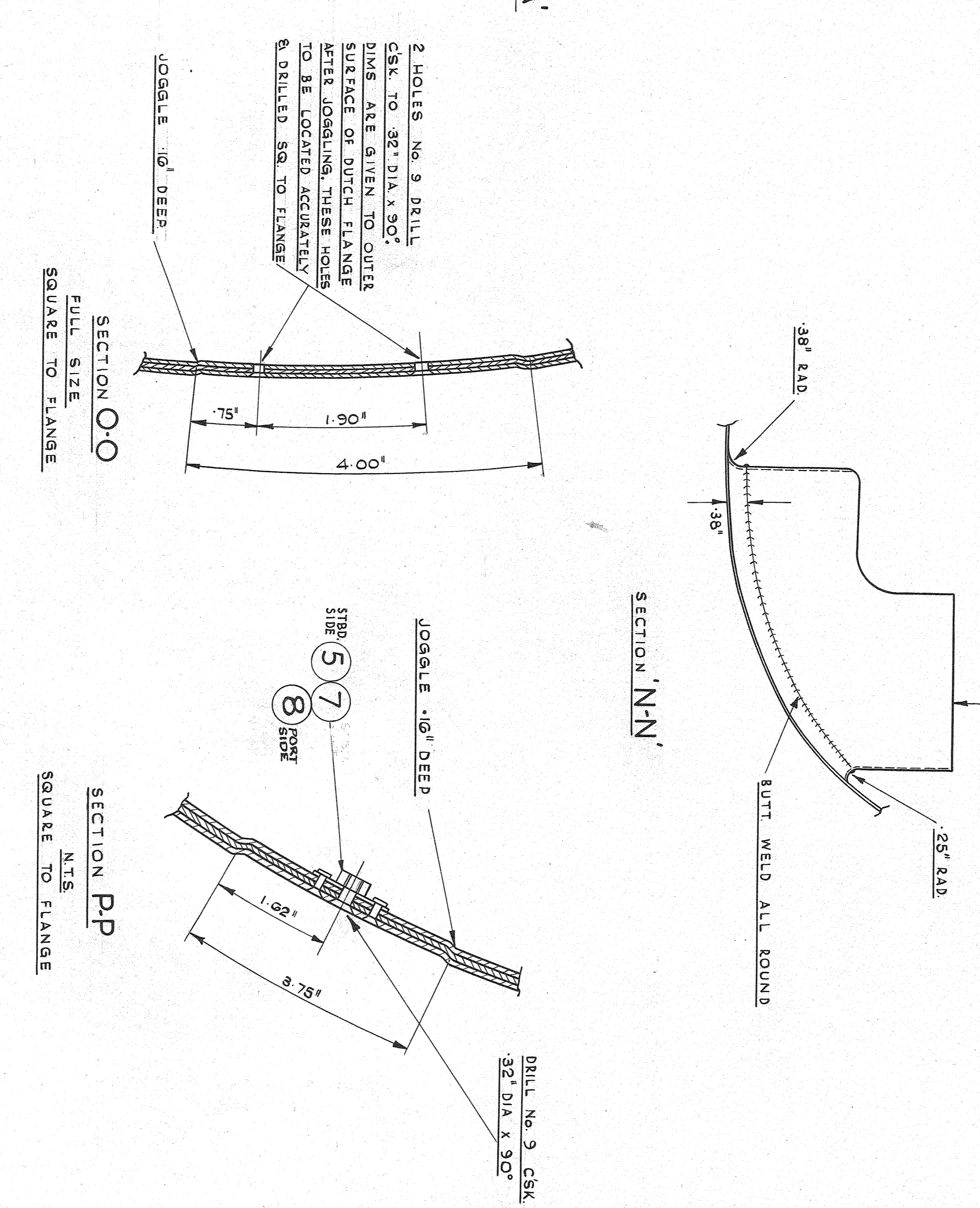
DIMENSIONS TAKEN FROM

SHOPS SAMPLE

NOTES

- PART IS SYMMETRICAL ABOUT ϕ EXCEPT FOR AIR DUCT OPENING ON PORT SIDE
- CONTOUR DIMS. TAKEN TO INNER SURFACE OF COWLING & BUTCH FLANGE
- ALL HOLES DIMENSIONED TO OUTER SURFACE OF BUTCH FLANGE
- ALL JOGGLES ARE TO BE PARALLEL WITH CONTOUR OF FLANGE
- HOLES IN FLANGE ARE DRILLED NORMAL TO SURFACE
- CONTOURS TO BLEND SMOOTHLY THRO' GIVEN ORDINATES
- WHERE THE JOGGE OF ITEM 3 OCCURS, ITEM 6 TO BE RIVETED THRO' BUTCH FLANGE ON THE ϕ OF ITEM 3 AT 1.0" PITCH, ITEM 6 TO BE CSK. BOTH SIDES

A .38" DEEP FLANGE TO BE FORMED ON AIR DUCT CUTOUT. THE DIMS GIVEN ARE TO THE INSIDE OF THE FLANGE AFTER FORMING. FILING MAY BE NECESSARY ON THE FLANGE TO GIVE A GOOD BUTT JOINT WITH ITEM 2. SEE SECTION N-N



REV	DATE	BY	CHKD
1			
2			
3			
4			
5			
6			
7			
8			
9			
10			

TYPE: CIVIL J56
 K X Z F Y G H J K L M N O P Q R S T U V W X Y Z
 TITLE: NOSE COWL ASSY
 DRAWING NO: EJM 436

PROTECTIVE	ASSY NUT	SCALE	1/4" = 1" NTS
TREATMENT	SCALE	1/4" = 1" NTS	
V DUNING	SCALE	1/4" = 1" NTS	
REWORK	SCALE	1/4" = 1" NTS	
REWORK	SCALE	1/4" = 1" NTS	

ITEM NO	QTY	DESCRIPTION	REVISIONS
1	1	NOSE COWL STRIPPING DIF 531	
2	1	ANCHOR NUT	
3	14	LIVET CSK	
4	8	LIVET CSK	
5	6	ANCHOR NUT	
6	1	STRIP 1/8 SWG	
7	1	FLANGE (AIR DUCT)	
8	1	SHEET 1/8 SWG	