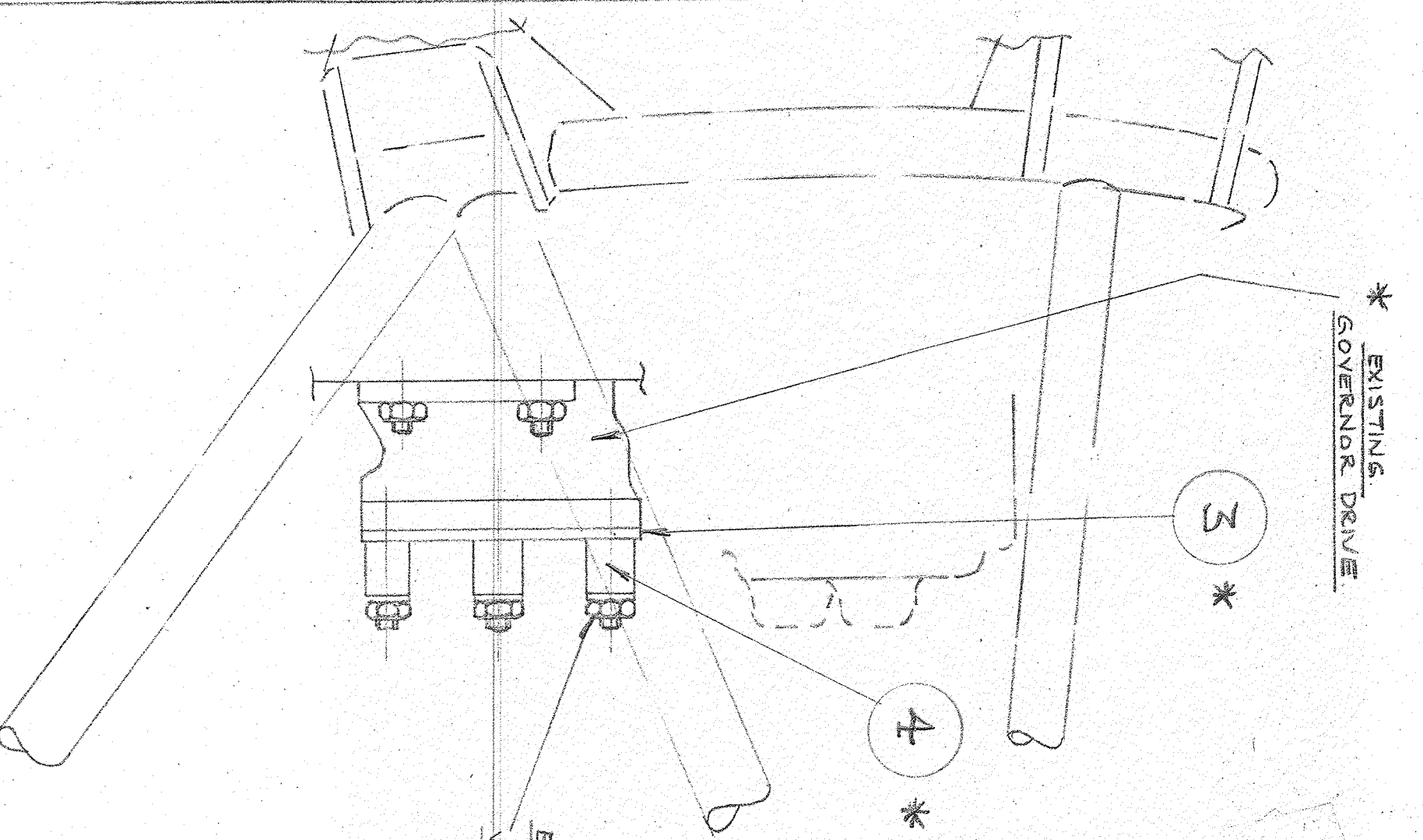
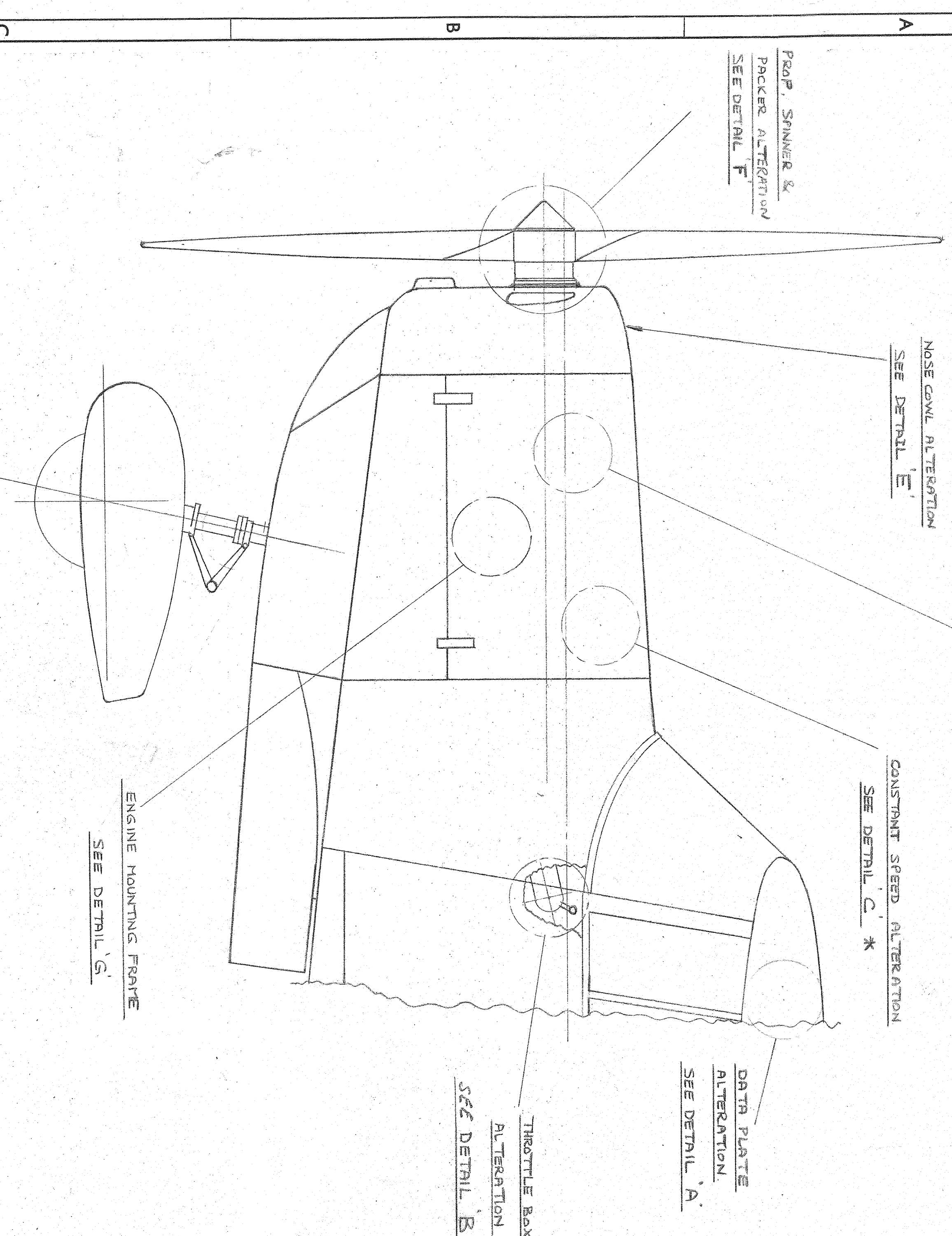
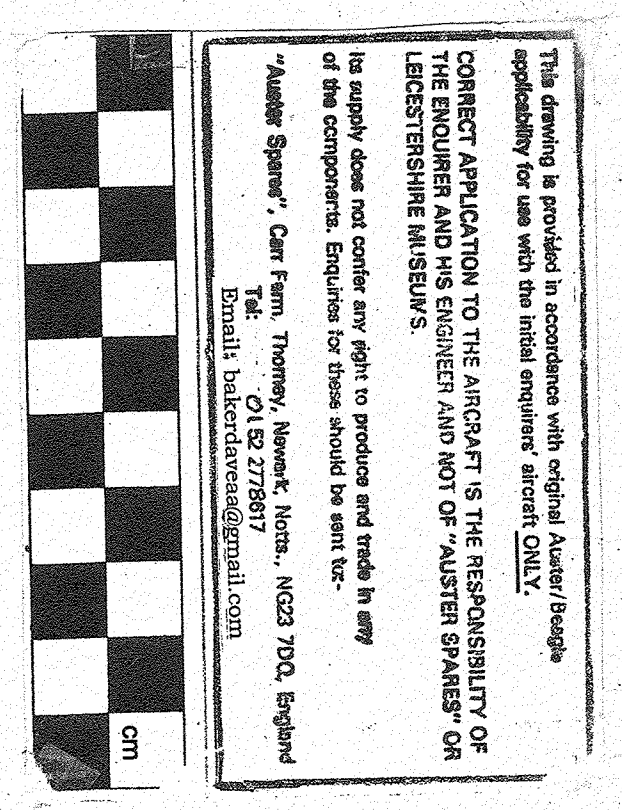


1. DO NOT SCALE DRAWING.
2. FINISH MODIFICATION BY STYLO.
3. DIMENSIONS ARE IN INCHES UNLESS OTHERWISE SPECIFIED.
4. IF IN DOUBT ABOUT THE CORRECT MEANING OF A DIMENSION OR SYMBOL, REFER TO THE ORIGINAL DRAWING.

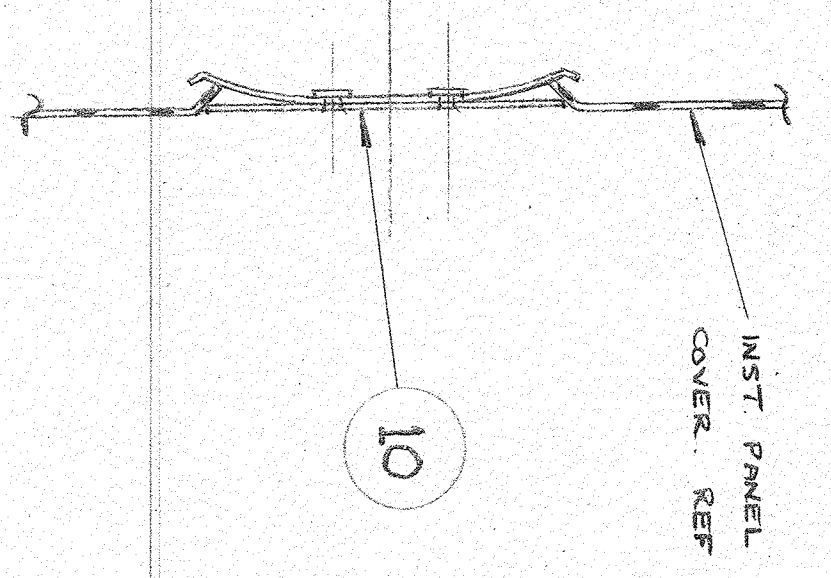


DETAIL 'C'

* (FOR CONVERSION FROM O-360-A1A ENGINE ONLY)



This drawing is provided in accordance with original American specifications for use with the listed equipment. It is not intended for use with other equipment. The responsibility of the user for the correct application of the dimensions and tolerances is assumed. The user should refer to the original specifications for the equipment for the correct application of the dimensions and tolerances. The user should refer to the original specifications for the equipment for the correct application of the dimensions and tolerances. The user should refer to the original specifications for the equipment for the correct application of the dimensions and tolerances.



ASSEMBLY OF BLANKING COVER PLATE INTO INSTUMENT COVER PANEL TO BE LEFT BY REMOVAL OF THE HANDFOLD PRESSURE GAUGE.

NOTE

THIS DRAWING COVERS THE CONVERSION OF AN AIRCRAFT FITTED WITH A V-8 PROP & LYCHING O-360-A1A ENGINE. IF A LYCHING O-360-A1A ENGINE IS INSTALLED THE FOLLOWING PARTS WILL NOT BE REQUIRED: ITEMS 3, 4, 5, 6, 11 & DETAIL 'C'.

MOD KIT TO CONVERT O-360-A1A ENGINE - PARTN. PL 63763

MOD KIT TO INSTALL O-360-A1A ENGINE - PART N. PL 63771

ALL ITEMS EXCEPT 3, 4, 5 & 11

DETAIL 'A'

REMOVE THE STANDARD PERFORMANCE DATA PLATE & REPLACE WITH ITEM (2) OR EQUIVALENT FOREIGN TRANSLATION.

DETAIL 'B'

DELETE PROPELLER CONTROL LEVER. PART N. PL 62335. KNUB PART N. PL 63663 & ASSOCIATED SCREWS & NUTS. DELETE WASHER 763034. ADJUSTMENT TO LEVER & REPLACE WITH 20PP OR ITEM (1) IN PLACE OF STANDARD THROTTLE BOX LABEL. SUBSTITUTE ITEM (2) OR EQUIVALENT FOREIGN TRANSLATION.

DETAIL 'C'

* (DELETE WOODWARD GOVERNOR, COMPLETE WITH CONTROL LEVER, BRACKET ASSEMBLY & FIT BLANKING PLATE ITEM (3) TO FACE OF GOVERNOR DRIVE USING EXISTING BRACKET. FIT SPACERS ITEM (4) TO STUDS & REPLACE EXISTING NUTS & WASHERS.) *

DELETE TELETYPE CONTROL FROM GOVERNOR TO THROTTLE BOX, COMPLETE WITH PACK END FIXINGS & COVER HOLE IN FIREWALL WITH BLANKING PLATE ITEM (5) ON INSIDE FACE OF FIREWALL. FIX WITH EXISTING BOLTS. * (DELETE REAR PIPE FROM STD. BENS. CYL. HEAD TO FIREWALL. BLANK OFF HOLE IN CYL. HEAD WITH PLUG ITEM (6).) * FIT ITEM (7) (8) (9) TO BLANK OFF ADAPTER ON FIREWALL. DELETE HANDFOLD PRESSURE GAUGE FROM INSTRUMENT PANEL & CONNECTING PIPE FROM GAUGE TO FIREWALL. FIT ITEM (10) TO HOLE IN INSTRUMENT PANEL COVER PANEL.

DETAIL 'D'

* REMOVE V/P FROM COMPLETE SPRING & NOSE COWL & CHECK OUT THE MODIFICATIONS TO THE ENGINE. AS Laid DOWN ON DRAWING 637715. THE ENGINE DATA PLATE IS TO BE ALTERED FROM O-360-A1A TO O-360-A1A.

DETAIL 'E'

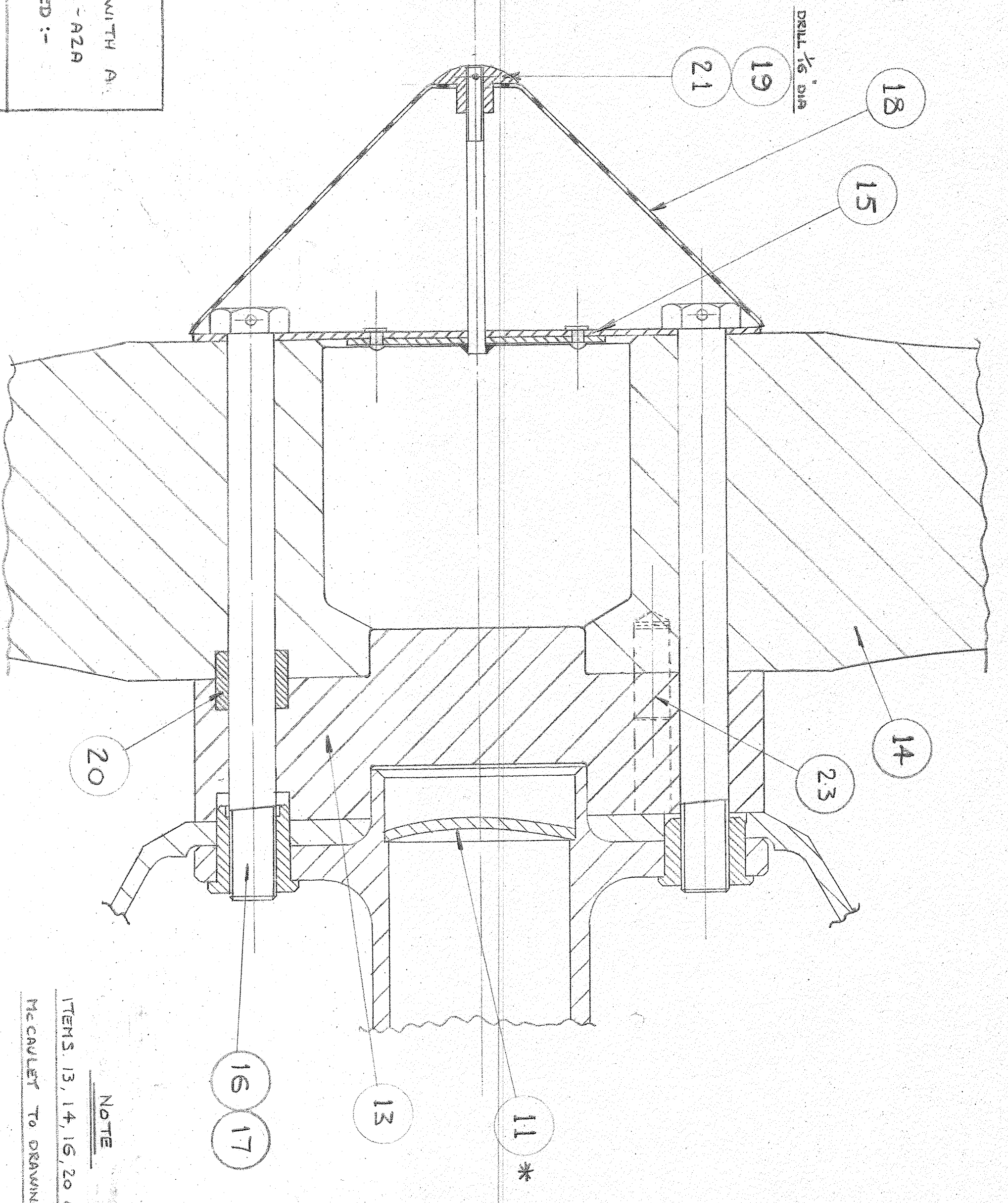
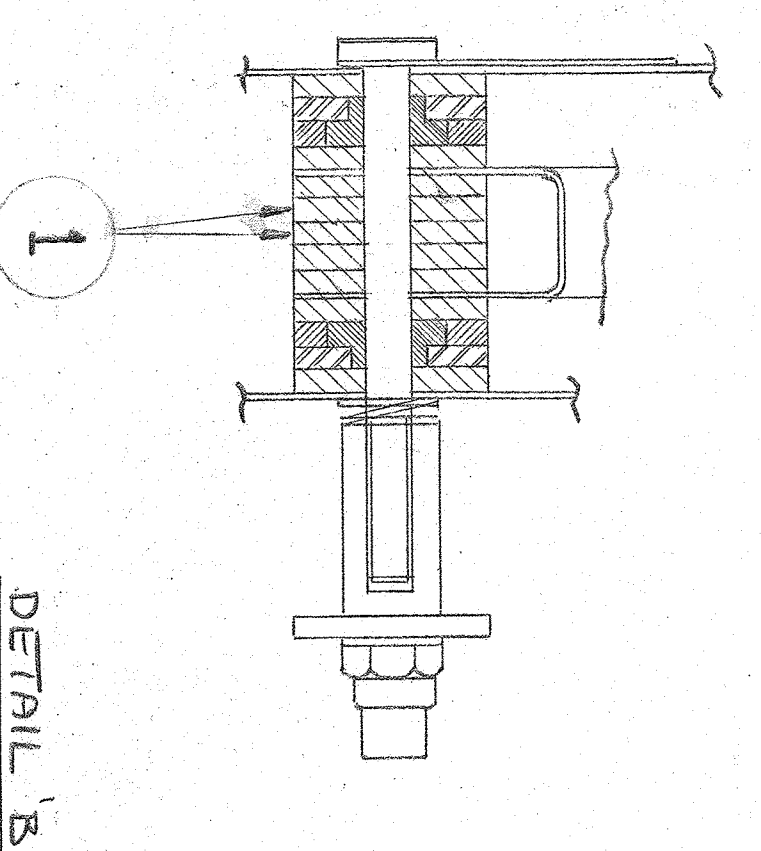
FIT NEW NOSE COWL ITEM (12)

DETAIL 'F'

FIT NEW SPACER ITEM (13) ONTO PROP FACE ON ENGINE. FIT NEW PROP ITEM (14) ONTO COLLARS ITEM (2) & BOLTS. ITEM (15) & TORQUE LIND TO 45 LBS FT. - 540 LBS IN. WIDE LOCK. USING ITEM (17) FIT SPINNER ITEM (18) & SECURE WITH SPECIAL NUT ITEM (21) & SPLIT PIN ITEM (19)

DETAIL 'G'

WHEN THIS MODIFICATION IS INCORPORATED THE ENGINE MOUNTING FRAME MUST BE TO PART NUMBER 718 62950. DRAWING N. PTF 1275. ISSUE D OR SUBSEQUENT ISSUE. IF THE FRAME IS NOT TO THIS STANDARD IT MUST BE CHANGED.



NOTE

ITEMS 13, 14, 16, 20 & 23 SUPPLIED BY THE CULLET TO DRAWING 63219.

NO.	QTY.	DESCRIPTION	PART NO.	SEE ABOVE
1	1	WASHERS	6371289	2
2	1	THROTTLE BOX LABEL	6373048	1
3	1	SPACER	6378443	4
4	1	BLANKING PLATE	6378443	4
5	1	SPACER	6378443	4
6	1	PLUG	6378443	4
7	1	SPACER	6378443	4
8	1	SPACER	6378443	4
9	1	SPACER	6378443	4
10	1	SPACER	6378443	4
11	1	SPACER	6378443	4
12	1	SPACER	6378443	4
13	1	SPACER	6378443	4
14	1	SPACER	6378443	4
15	1	SPACER	6378443	4
16	1	SPACER	6378443	4
17	1	SPACER	6378443	4
18	1	SPACER	6378443	4
19	1	SPACER	6378443	4
20	1	SPACER	6378443	4
21	1	SPACER	6378443	4
22	1	SPACER	6378443	4
23	1	SPACER	6378443	4
24	1	SPACER	6378443	4
25	1	SPACER	6378443	4
26	1	SPACER	6378443	4
27	1	SPACER	6378443	4
28	1	SPACER	6378443	4
29	1	SPACER	6378443	4
30	1	SPACER	6378443	4

1 2 3 4 5 6 7 8

ISS	MODIFICATION	NEW DRAWING
A		
B		
C		
D		
E		
F		
G		

NO.	QTY.	DESCRIPTION	PART NO.	SEE ABOVE
1	1	WASHERS	6371289	2
2	1	THROTTLE BOX LABEL	6373048	1
3	1	SPACER	6378443	4
4	1	BLANKING PLATE	6378443	4
5	1	SPACER	6378443	4
6	1	PLUG	6378443	4
7	1	SPACER	6378443	4
8	1	SPACER	6378443	4
9	1	SPACER	6378443	4
10	1	SPACER	6378443	4
11	1	SPACER	6378443	4
12	1	SPACER	6378443	4
13	1	SPACER	6378443	4
14	1	SPACER	6378443	4
15	1	SPACER	6378443	4
16	1	SPACER	6378443	4
17	1	SPACER	6378443	4
18	1	SPACER	6378443	4
19	1	SPACER	6378443	4
20	1	SPACER	6378443	4
21	1	SPACER	6378443	4
22	1	SPACER	6378443	4
23	1	SPACER	6378443	4
24	1	SPACER	6378443	4
25	1	SPACER	6378443	4
26	1	SPACER	6378443	4
27	1	SPACER	6378443	4
28	1	SPACER	6378443	4
29	1	SPACER	6378443	4
30	1	SPACER	6378443	4

NO.	QTY.	DESCRIPTION	PART NO.	SEE ABOVE
1	1	WASHERS	6371289	2
2	1	THROTTLE BOX LABEL	6373048	1
3	1	SPACER	6378443	4
4	1	BLANKING PLATE	6378443	4
5	1	SPACER	6378443	4
6	1	PLUG	6378443	4
7	1	SPACER	6378443	4
8	1	SPACER	6378443	4
9	1	SPACER	6378443	4
10	1	SPACER	6378443	4
11	1	SPACER	6378443	4
12	1	SPACER	6378443	4
13	1	SPACER	6378443	4
14	1	SPACER	6378443	4
15	1	SPACER	6378443	4
16	1	SPACER	6378443	4
17	1	SPACER	6378443	4
18	1	SPACER	6378443	4
19	1	SPACER	6378443	4
20	1	SPACER	6378443	4
21	1	SPACER	6378443	4
22	1	SPACER	6378443	4
23	1	SPACER	6378443	4
24	1	SPACER	6378443	4
25	1	SPACER	6378443	4
26	1	SPACER	6378443	4
27	1	SPACER	6378443	4
28	1	SPACER	6378443	4
29	1	SPACER	6378443	4
30	1	SPACER	6378443	4

BEAGLE-AUSTER AIRCRAFT LTD. LEICESTER.

TITLE: INSTALLATION OF FIXED PITCH PROPELLER.

APP. AIRCRAFT A109

MOD. NO. A93

ISSUE A

DATE 21.12.62

WEIGHT: PART NO. SEE ABOVE

DATE: 21.12.62

BY: [Signature]

CHECKED: [Signature]

APPROVED: [Signature]