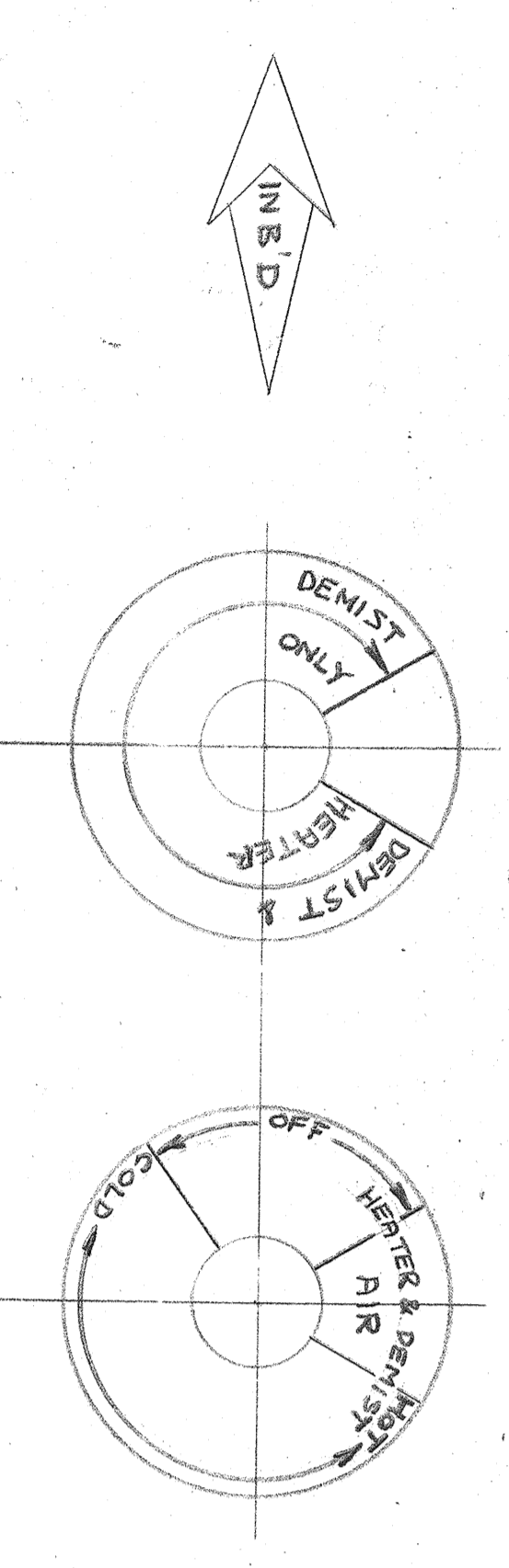
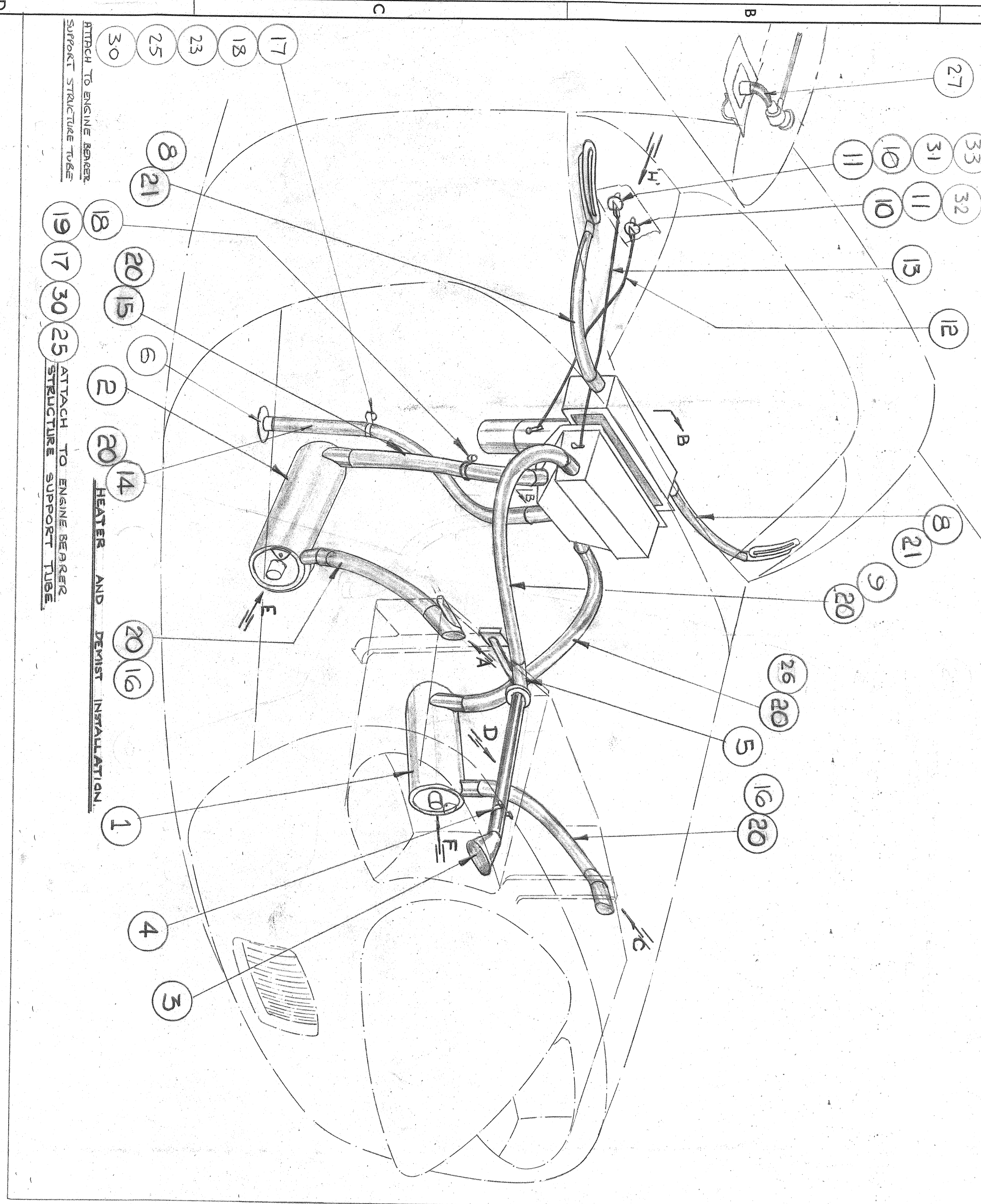


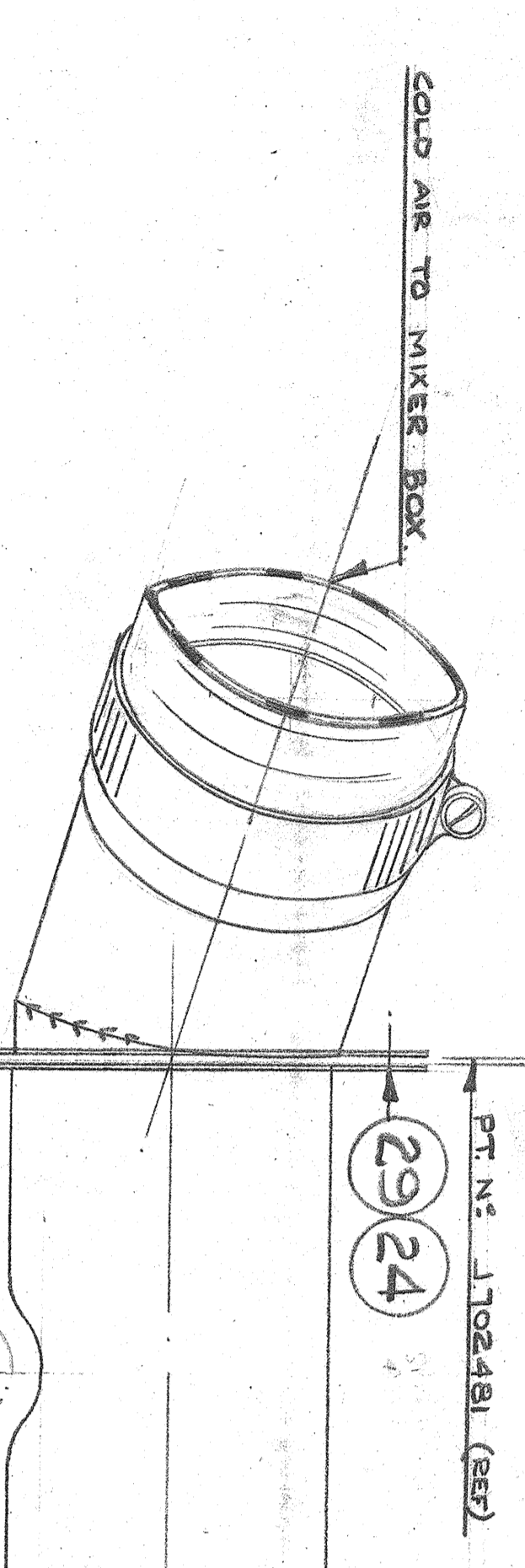
1. DO NOT SCALE DRAWING.
2. FINISH ALL DIMENSIONS.
3. DIMENSIONS ON THIS DRAWING ARE IN INCHES UNLESS OTHERWISE SPECIFIED.
4. DIMENSIONS ARE GIVEN TO CENTER UNLESS OTHERWISE SPECIFIED.
5. DIMENSIONS ARE GIVEN TO CENTER UNLESS OTHERWISE SPECIFIED.
6. DIMENSIONS ARE GIVEN TO CENTER UNLESS OTHERWISE SPECIFIED.
7. DIMENSIONS ARE GIVEN TO CENTER UNLESS OTHERWISE SPECIFIED.
8. DIMENSIONS ARE GIVEN TO CENTER UNLESS OTHERWISE SPECIFIED.
9. DIMENSIONS ARE GIVEN TO CENTER UNLESS OTHERWISE SPECIFIED.
10. DIMENSIONS ARE GIVEN TO CENTER UNLESS OTHERWISE SPECIFIED.
11. DIMENSIONS ARE GIVEN TO CENTER UNLESS OTHERWISE SPECIFIED.
12. DIMENSIONS ARE GIVEN TO CENTER UNLESS OTHERWISE SPECIFIED.
13. DIMENSIONS ARE GIVEN TO CENTER UNLESS OTHERWISE SPECIFIED.
14. DIMENSIONS ARE GIVEN TO CENTER UNLESS OTHERWISE SPECIFIED.
15. DIMENSIONS ARE GIVEN TO CENTER UNLESS OTHERWISE SPECIFIED.
16. DIMENSIONS ARE GIVEN TO CENTER UNLESS OTHERWISE SPECIFIED.
17. DIMENSIONS ARE GIVEN TO CENTER UNLESS OTHERWISE SPECIFIED.
18. DIMENSIONS ARE GIVEN TO CENTER UNLESS OTHERWISE SPECIFIED.
19. DIMENSIONS ARE GIVEN TO CENTER UNLESS OTHERWISE SPECIFIED.
20. DIMENSIONS ARE GIVEN TO CENTER UNLESS OTHERWISE SPECIFIED.
21. DIMENSIONS ARE GIVEN TO CENTER UNLESS OTHERWISE SPECIFIED.
22. DIMENSIONS ARE GIVEN TO CENTER UNLESS OTHERWISE SPECIFIED.
23. DIMENSIONS ARE GIVEN TO CENTER UNLESS OTHERWISE SPECIFIED.
24. DIMENSIONS ARE GIVEN TO CENTER UNLESS OTHERWISE SPECIFIED.
25. DIMENSIONS ARE GIVEN TO CENTER UNLESS OTHERWISE SPECIFIED.
26. DIMENSIONS ARE GIVEN TO CENTER UNLESS OTHERWISE SPECIFIED.
27. DIMENSIONS ARE GIVEN TO CENTER UNLESS OTHERWISE SPECIFIED.
28. DIMENSIONS ARE GIVEN TO CENTER UNLESS OTHERWISE SPECIFIED.
29. DIMENSIONS ARE GIVEN TO CENTER UNLESS OTHERWISE SPECIFIED.
30. DIMENSIONS ARE GIVEN TO CENTER UNLESS OTHERWISE SPECIFIED.
31. DIMENSIONS ARE GIVEN TO CENTER UNLESS OTHERWISE SPECIFIED.
32. DIMENSIONS ARE GIVEN TO CENTER UNLESS OTHERWISE SPECIFIED.
33. DIMENSIONS ARE GIVEN TO CENTER UNLESS OTHERWISE SPECIFIED.



VIEW ON ARROW H
ON INSTRUMENT PANEL STRIP LOWER
SHOWING POSITIONS OF LABELS ITEMS 31 & 32



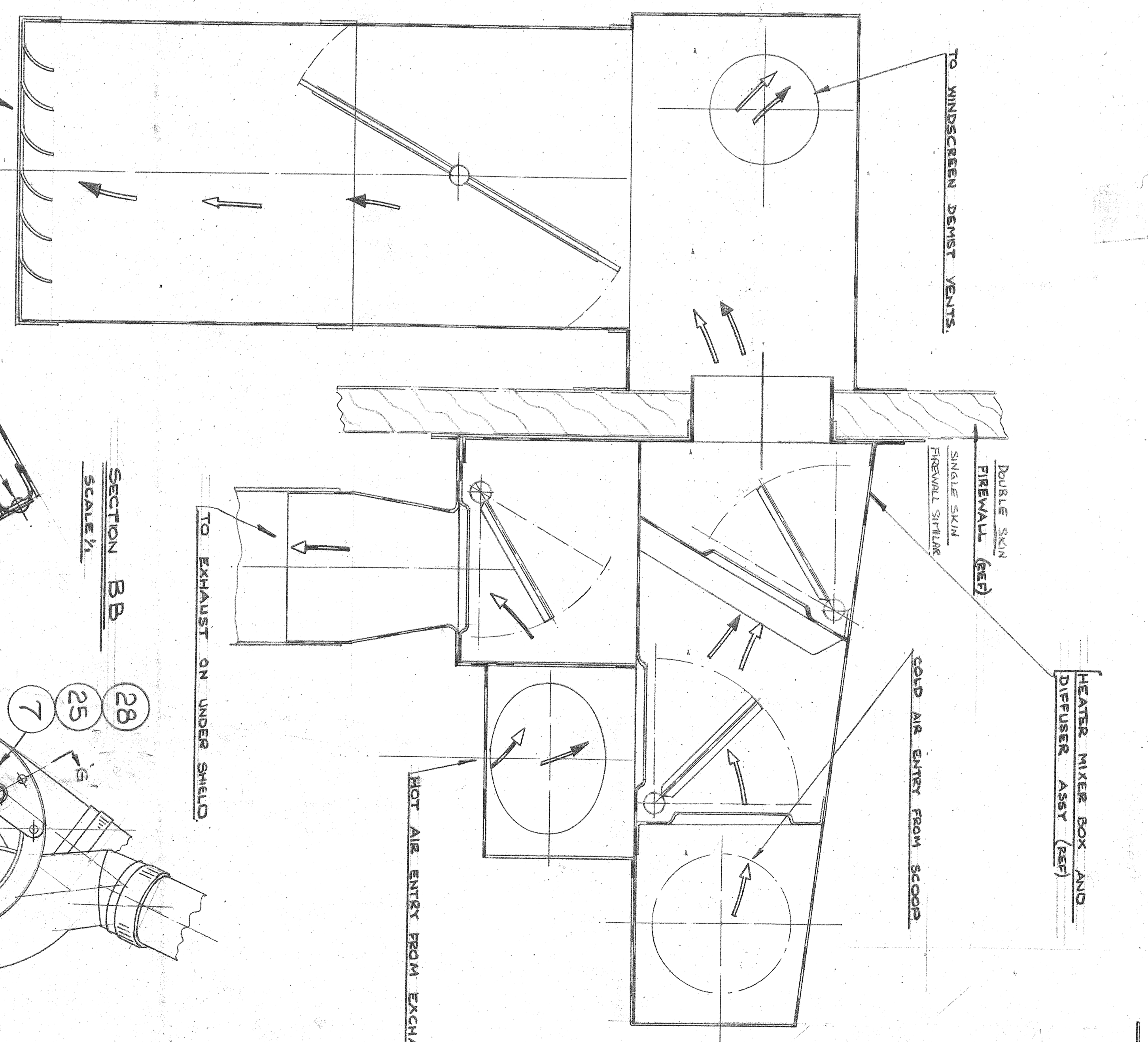
ATTACHED TO ENGINE BEARING SUPPORT STRUCTURE TUBE
HEATER AND DEWIST INSTALLATION
ATTACH TO ENGINE BEARING SUPPORT STRUCTURE TUBE



PT. NO. J102441A (REF)
SCALE 1/1

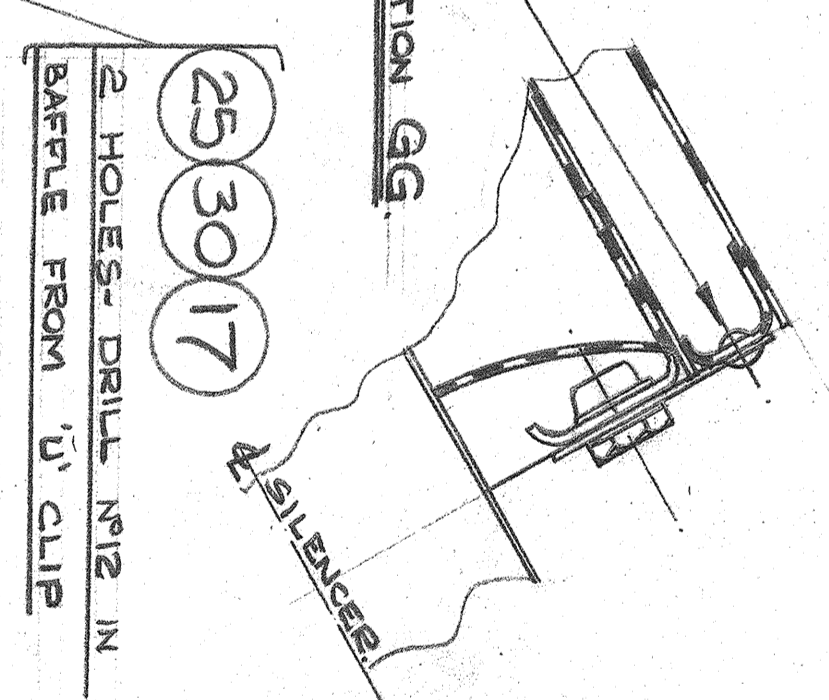
VIEW ON ARROW D
SCALE 1/1

NOTE
WHEN THIS TAP IS INCORPORATED, BARFLETS TO ISSUE 'D' OF DRAWING GPF 1228 MUST BE INCORPORATED (DO NOT - STRIKE FROM BARFLETS)

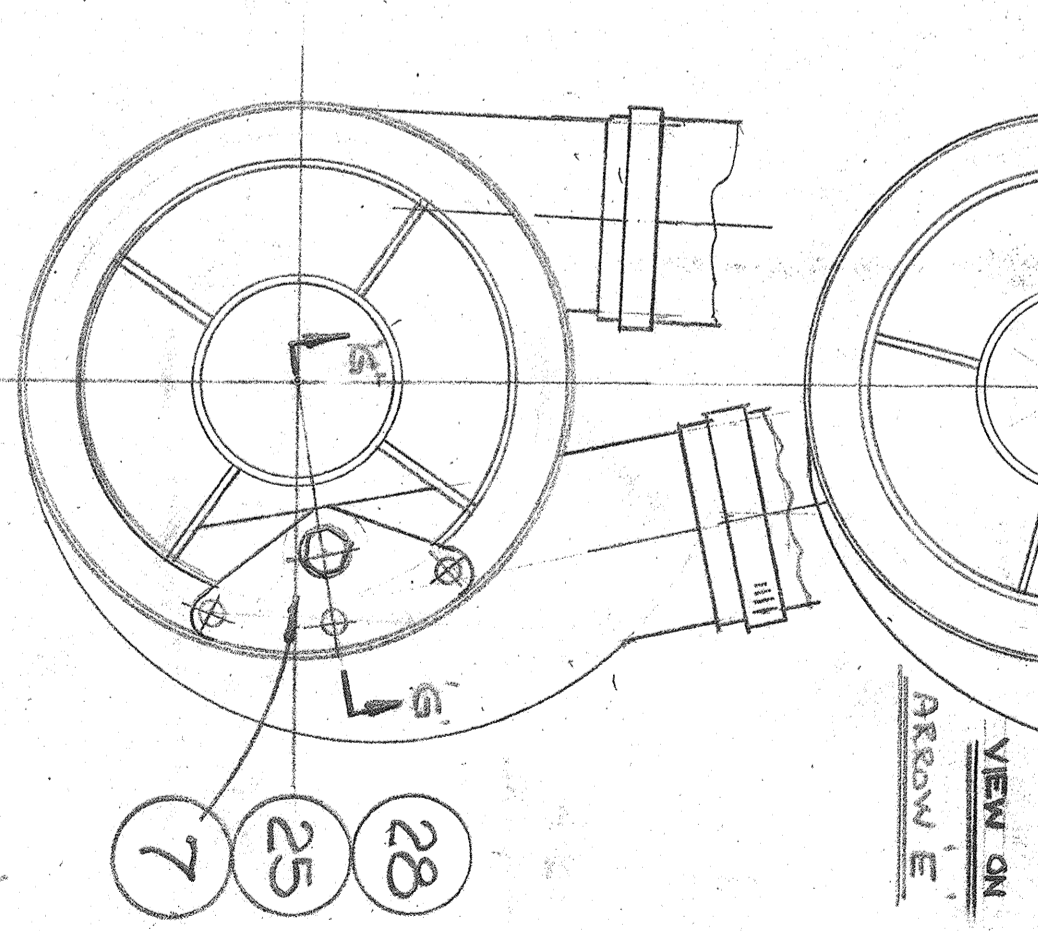


SECTION BB
SCALE 1/1

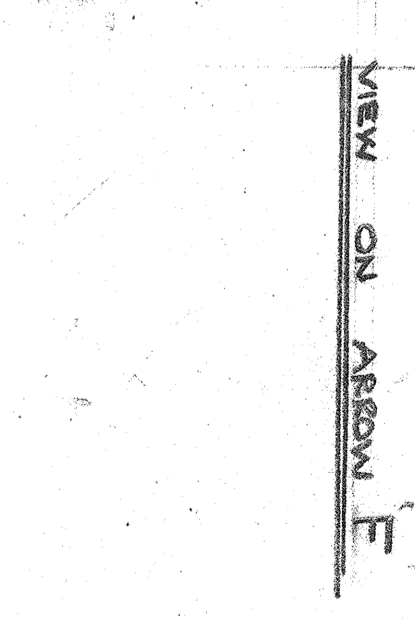
22 AFTER POSITIONING ITEM 7 WITH BOLT ON TO SLENDER. 3 HOLES DRILL 1/4" FROM ITEM 7 INTO EXCHANGER.



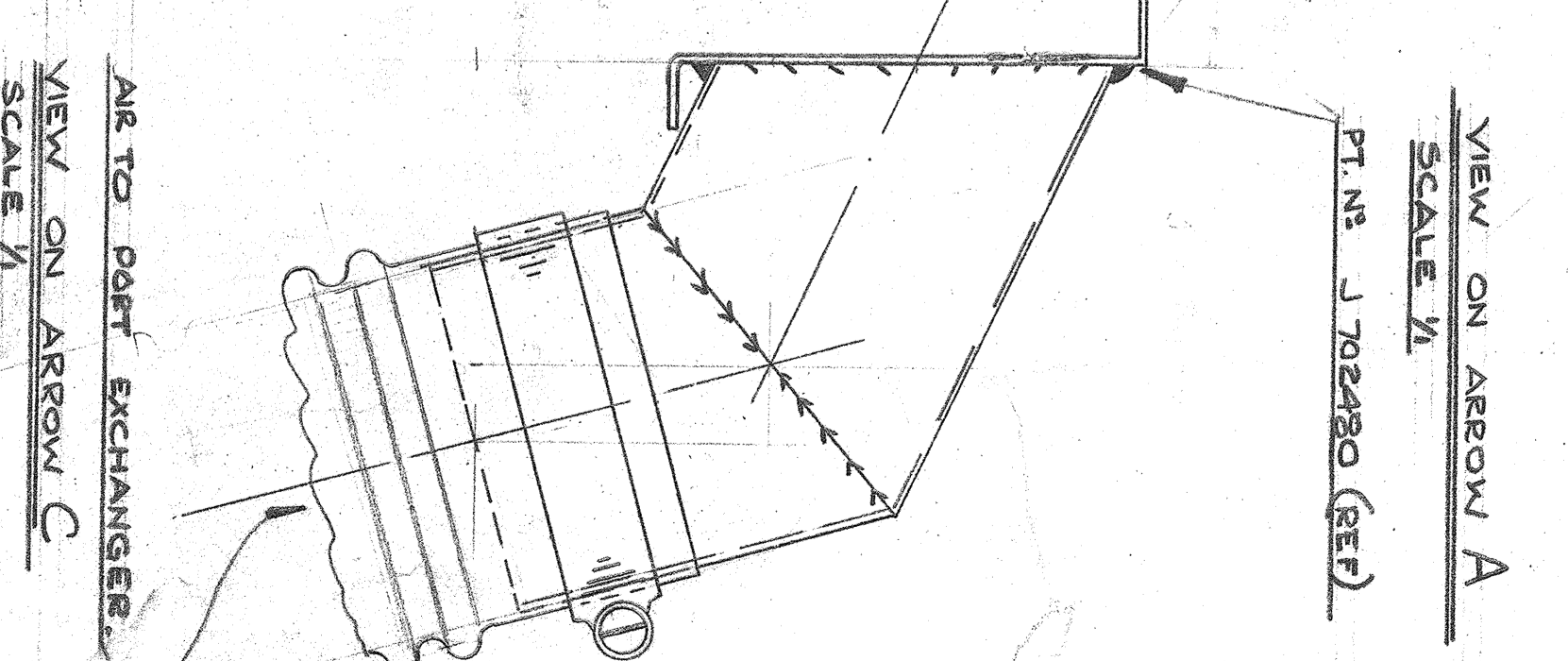
SECTION GG
2 HOLES- DRILL 1/2" IN BARFLET FROM 'U' CLIP



VIEW ON ARROW E



VIEW ON ARROW F



VIEW ON ARROW A
SCALE 1/1
PT. NO. J102442 (REF)

AIR TO PORT EXCHANGER
VIEW ON ARROW C
SCALE 1/1

REV.	DATE	BY	CHKD.	DESCRIPTION
1				
2				
3				
4				
5				
6				
7				
8				

REV.	DATE	BY	CHKD.	DESCRIPTION
1				
2				
3				
4				
5				
6				
7				
8				

REV.	DATE	BY	CHKD.	DESCRIPTION
1				
2				
3				
4				
5				
6				
7				
8				

REV.	DATE	BY	CHKD.	DESCRIPTION
1				
2				
3				
4				
5				
6				
7				
8				

REV.	DATE	BY	CHKD.	DESCRIPTION
1				
2				
3				
4				
5				
6				
7				
8				

REV.	DATE	BY	CHKD.	DESCRIPTION
1				
2				
3				
4				
5				
6				
7				
8				

REV.	DATE	BY	CHKD.	DESCRIPTION
1				
2				
3				
4				
5				
6				
7				
8				

REV.	DATE	BY	CHKD.	DESCRIPTION
1				
2				
3				
4				
5				
6				
7				
8				

REV.	DATE	BY	CHKD.	DESCRIPTION
1				
2				
3				
4				
5				
6				
7				
8				

REV.	DATE	BY	CHKD.	DESCRIPTION
1				
2				
3				
4				
5				
6				
7				
8				

REV.	DATE	BY	CHKD.	DESCRIPTION
1				
2				
3				
4				
5				
6				
7				
8				

REV.	DATE	BY	CHKD.	DESCRIPTION
1				
2				
3				
4				
5				
6				
7				
8				

REV.	DATE	BY	CHKD.	DESCRIPTION
1				
2				
3				
4				
5				
6				
7				
8				

REV.	DATE	BY	CHKD.	DESCRIPTION
1				
2				
3				
4				
5				
6				
7				
8				

REV.	DATE	BY	CHKD.	DESCRIPTION
1				
2				
3				
4				
5				
6				
7				
8				

REV.	DATE	BY	CHKD.	DESCRIPTION
1				
2				
3				
4				
5				
6				
7				
8				

REV.	DATE	BY	CHKD.	DESCRIPTION
1				
2				
3				
4				
5				
6				
7				
8				

REV.	DATE	BY	CHKD.	DESCRIPTION
1				
2				
3				
4				
5				
6				
7				
8				

REV.	DATE	BY	CHKD.	DESCRIPTION
1				
2				
3				
4				
5				
6				
7				
8				

REV.	DATE	BY	CHKD.	DESCRIPTION
1				
2				
3				
4				
5				
6				
7				
8				

REV.	DATE	BY	CHKD.	DESCRIPTION
1				
2				
3				
4				
5				
6				
7				
8				

REV.	DATE	BY	CHKD.	DESCRIPTION
1				
2				
3				
4				
5				
6				
7				
8				

REV.	DATE	BY	CHKD.	DESCRIPTION
1				
2				
3				
4				
5				
6				
7				
8				

REV.	DATE	BY	CHKD.	DESCRIPTION
1				
2				
3				
4				
5				
6				
7				
8				

REV.	DATE	BY	CHKD.	DESCRIPTION
1				
2				
3				
4				
5				
6				
7				
8				

REV.	DATE	BY	CHKD.	DESCRIPTION
1				
2				
3				
4				
5				
6				
7				
8				

REV.	DATE	BY	CHKD.	DESCRIPTION
1				
2				
3				
4				
5				
6				
7				
8				

REV.	DATE	BY	CHKD.	DESCRIPTION
1				
2				
3				
4				
5				
6				
7				
8				

REV.	DATE	BY	CHKD.	DESCRIPTION
1				