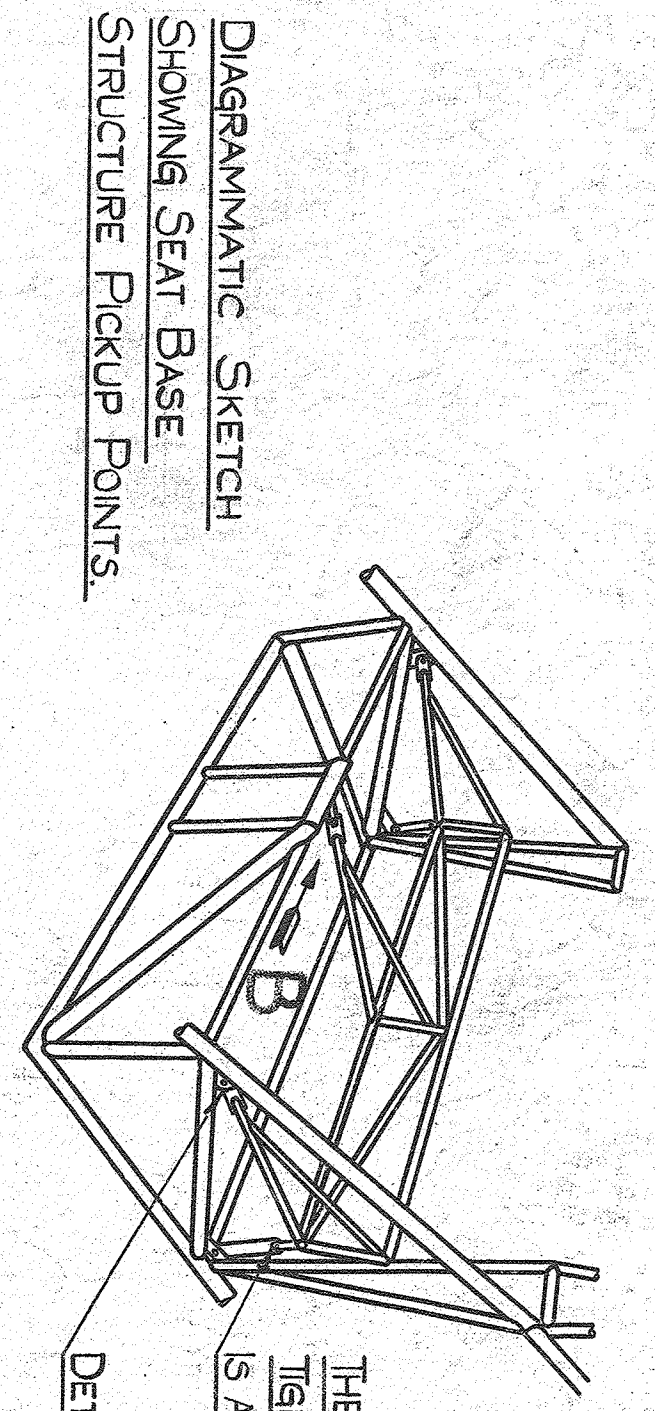
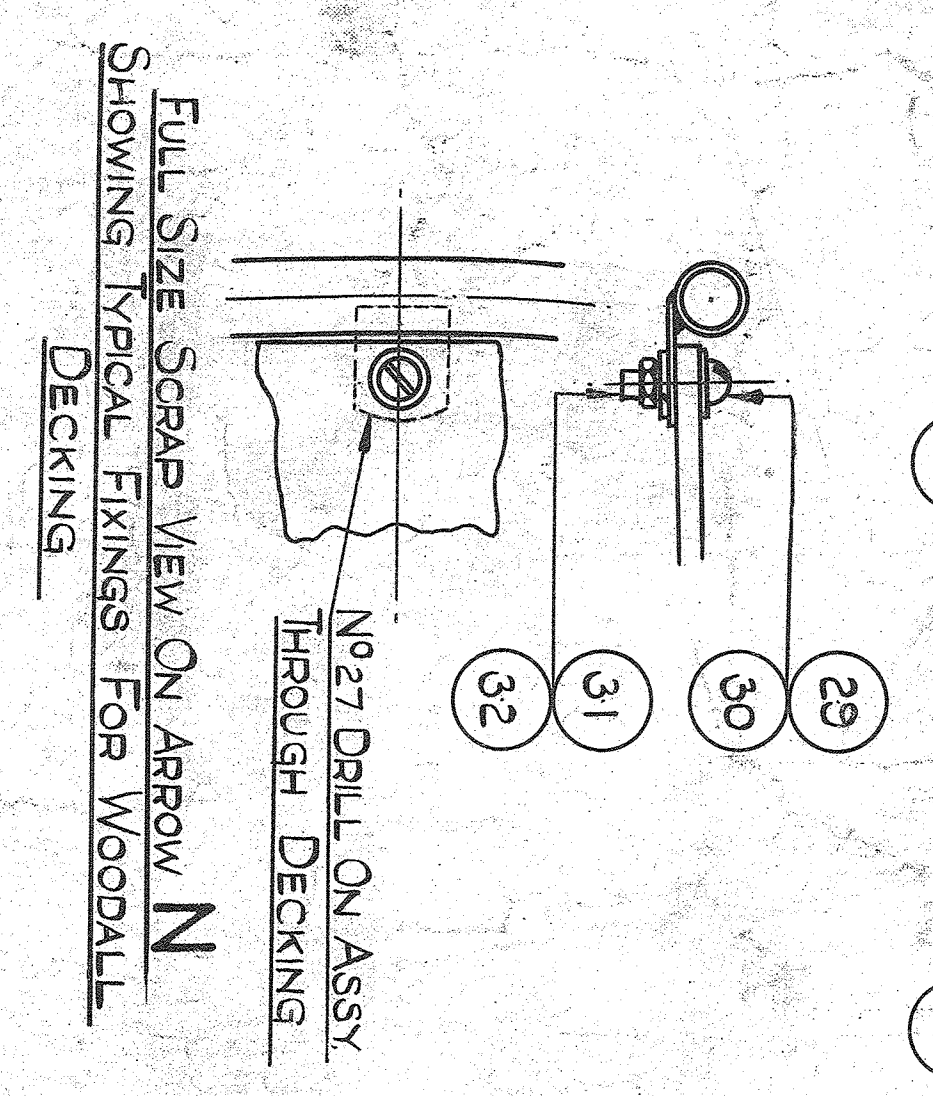
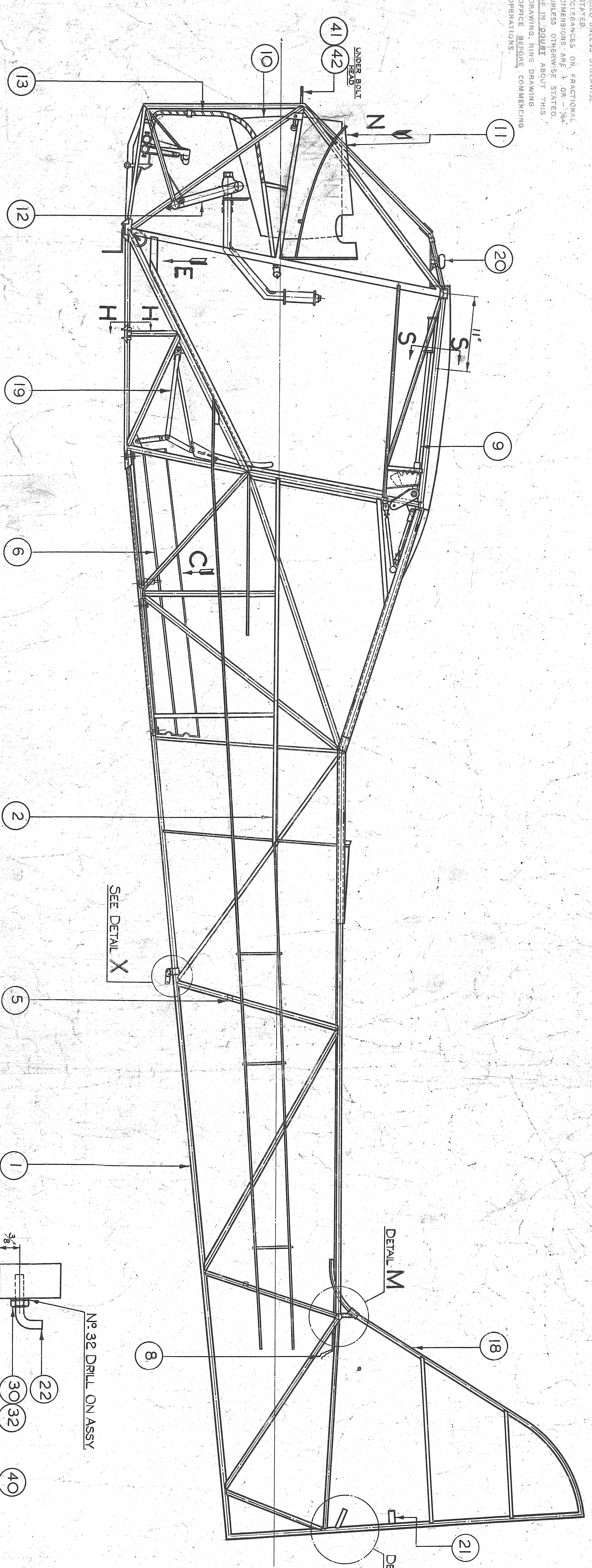
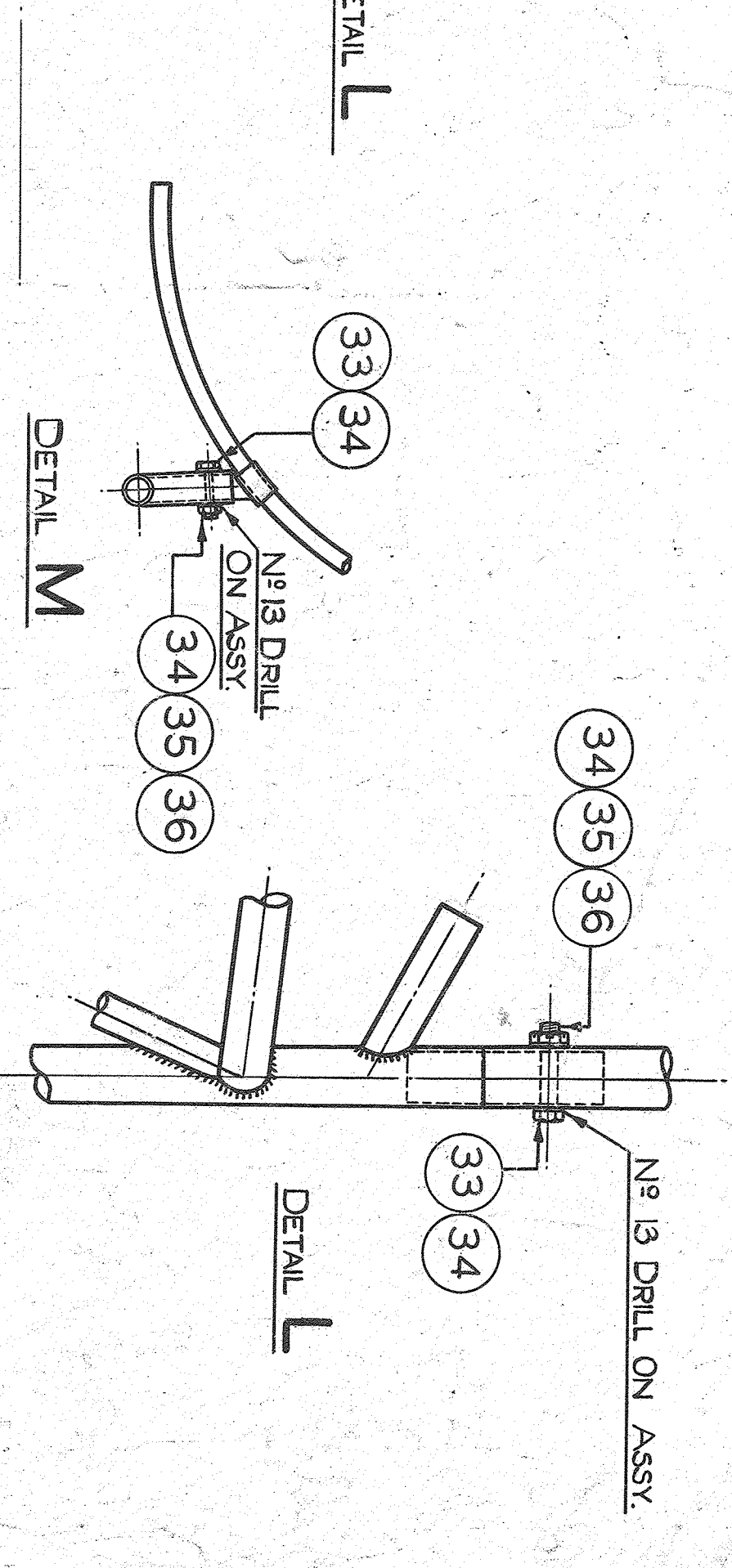
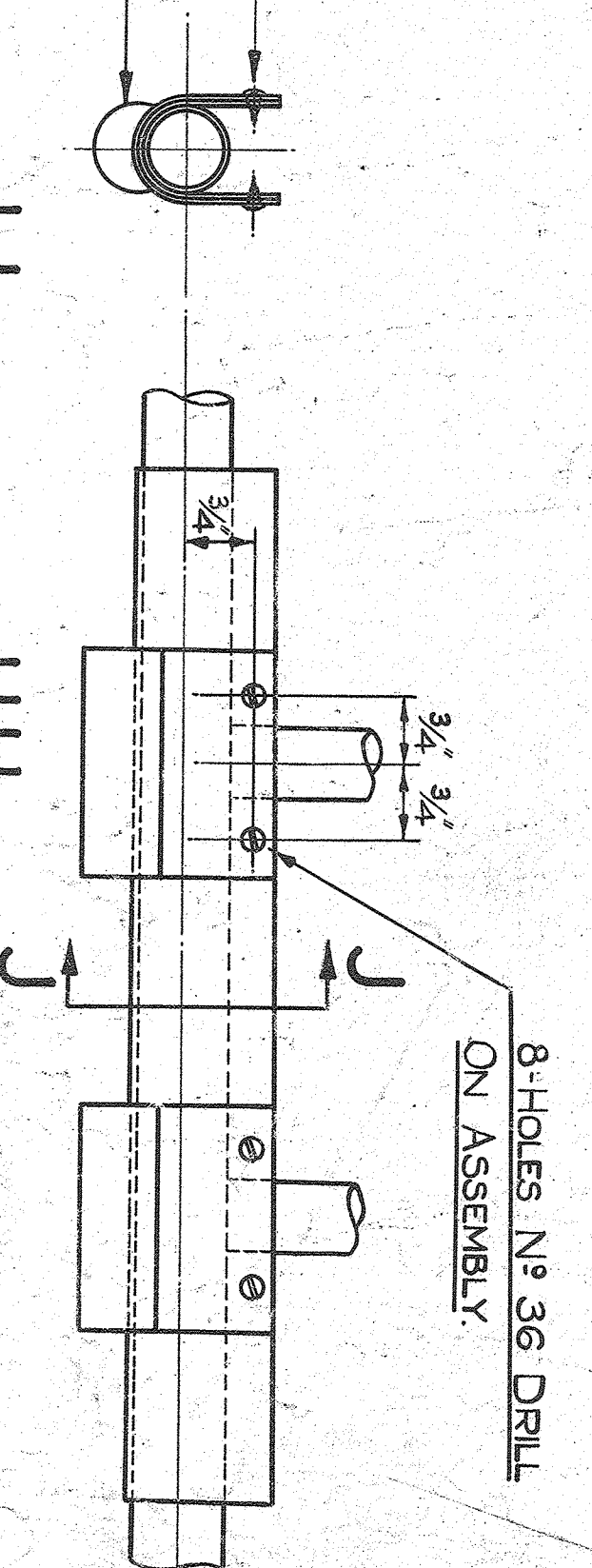
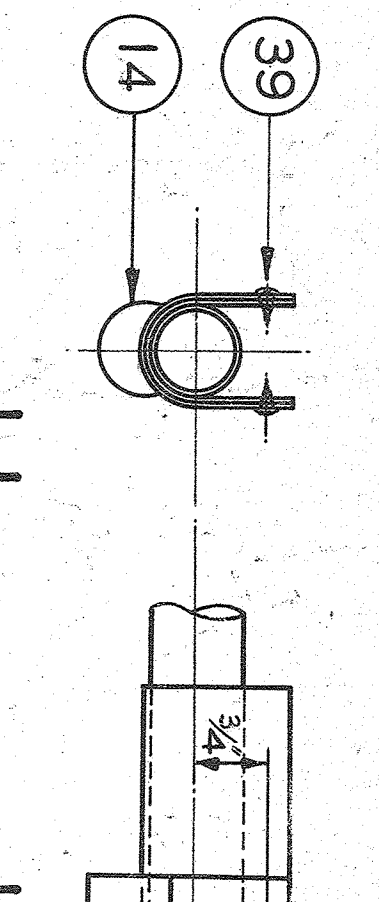
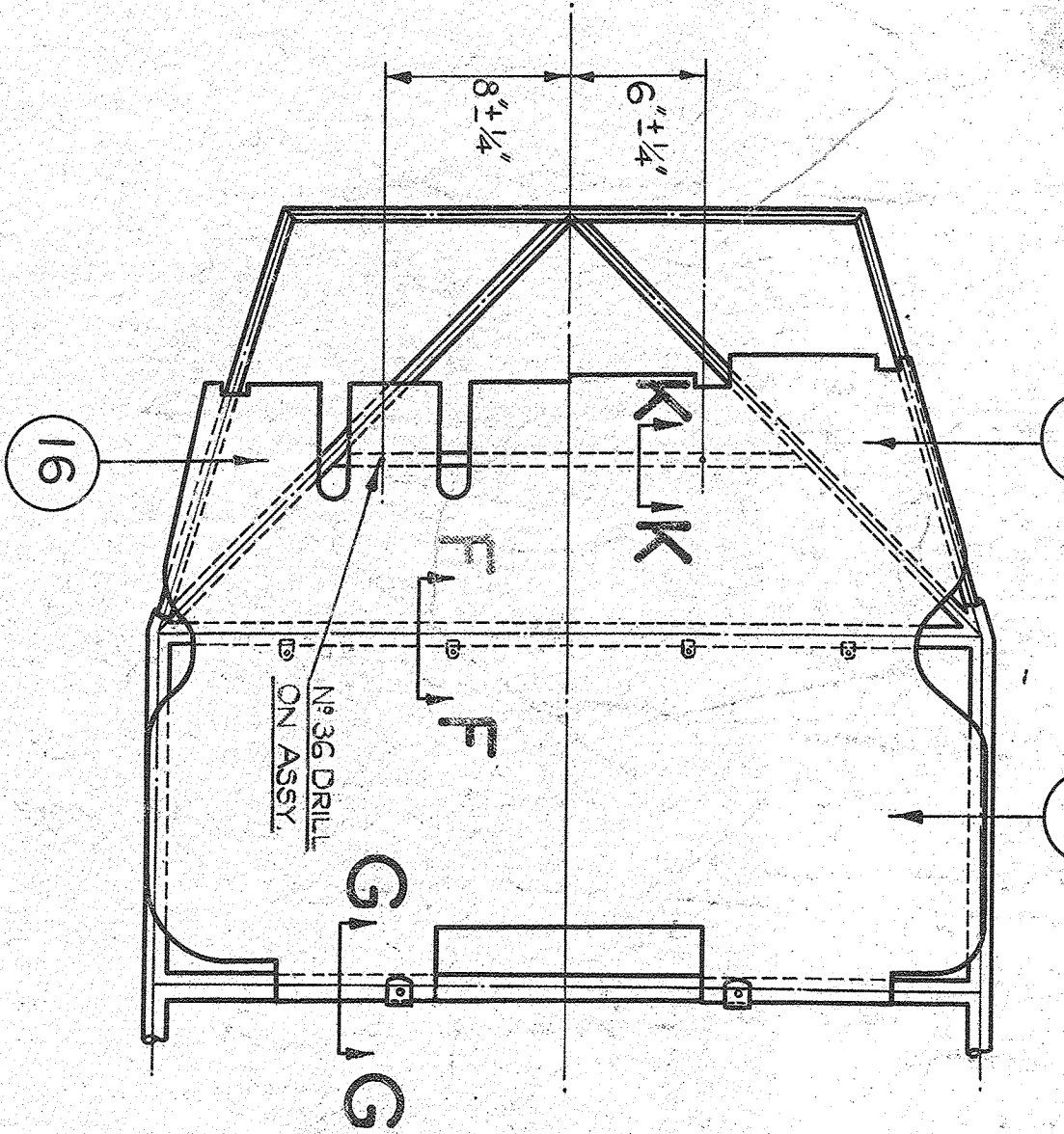
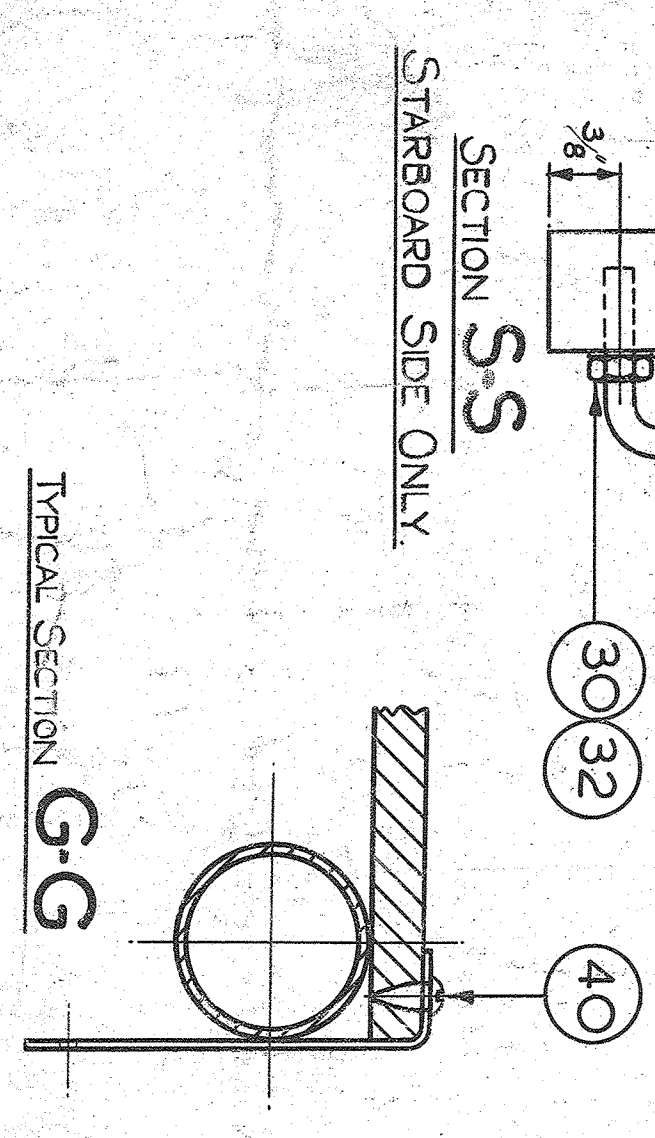
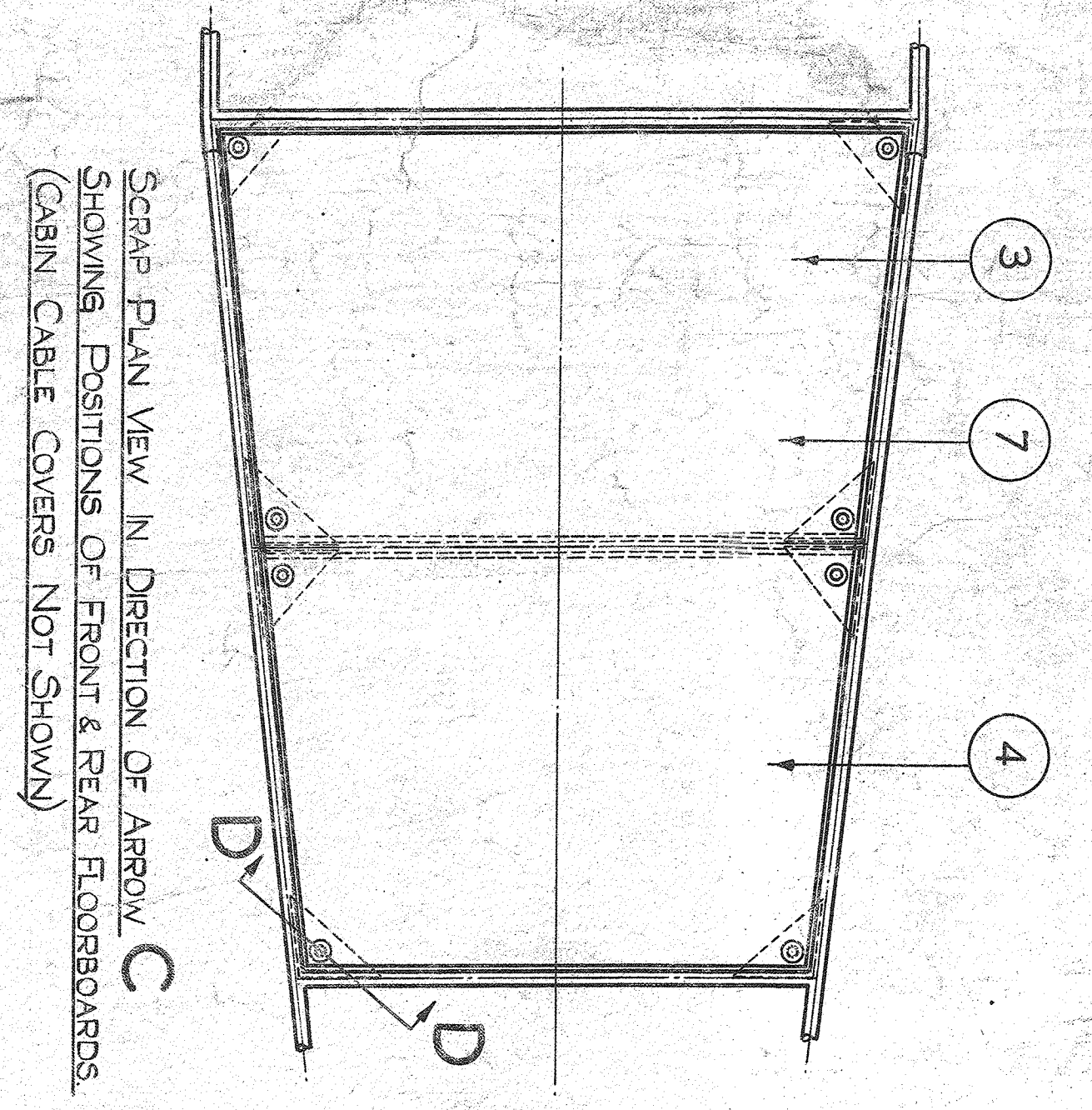
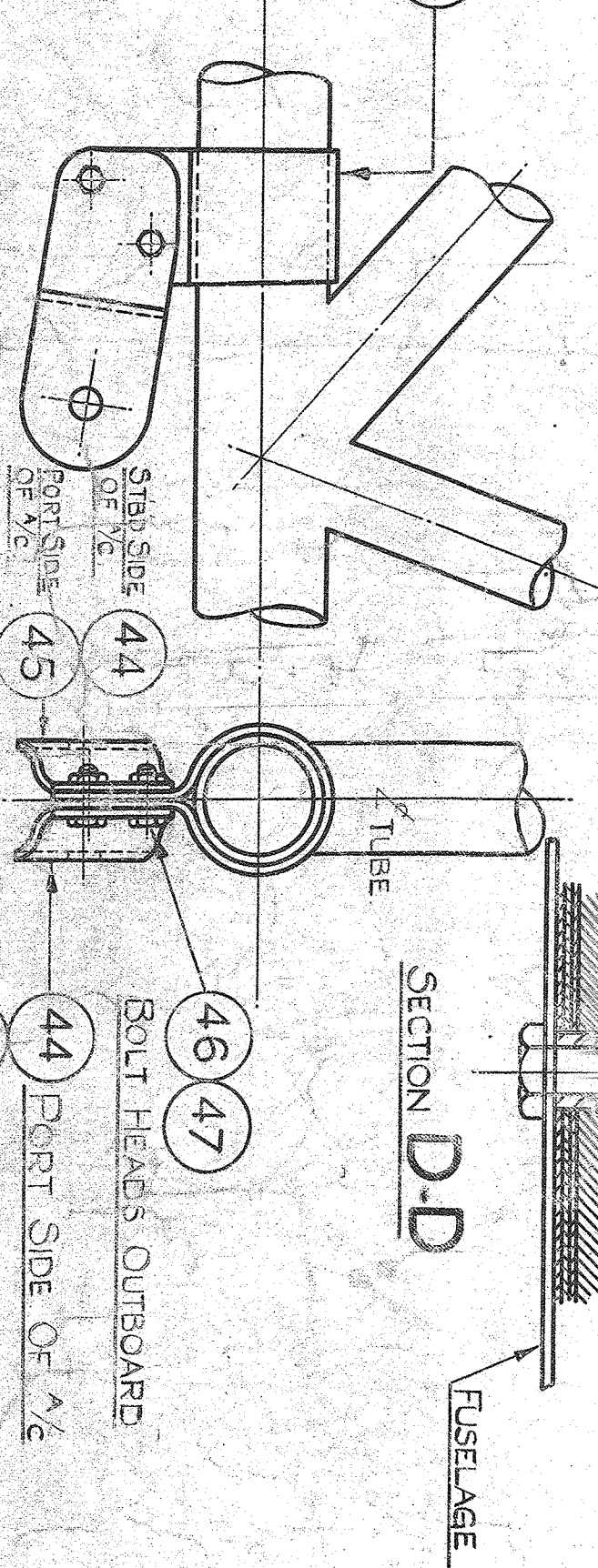
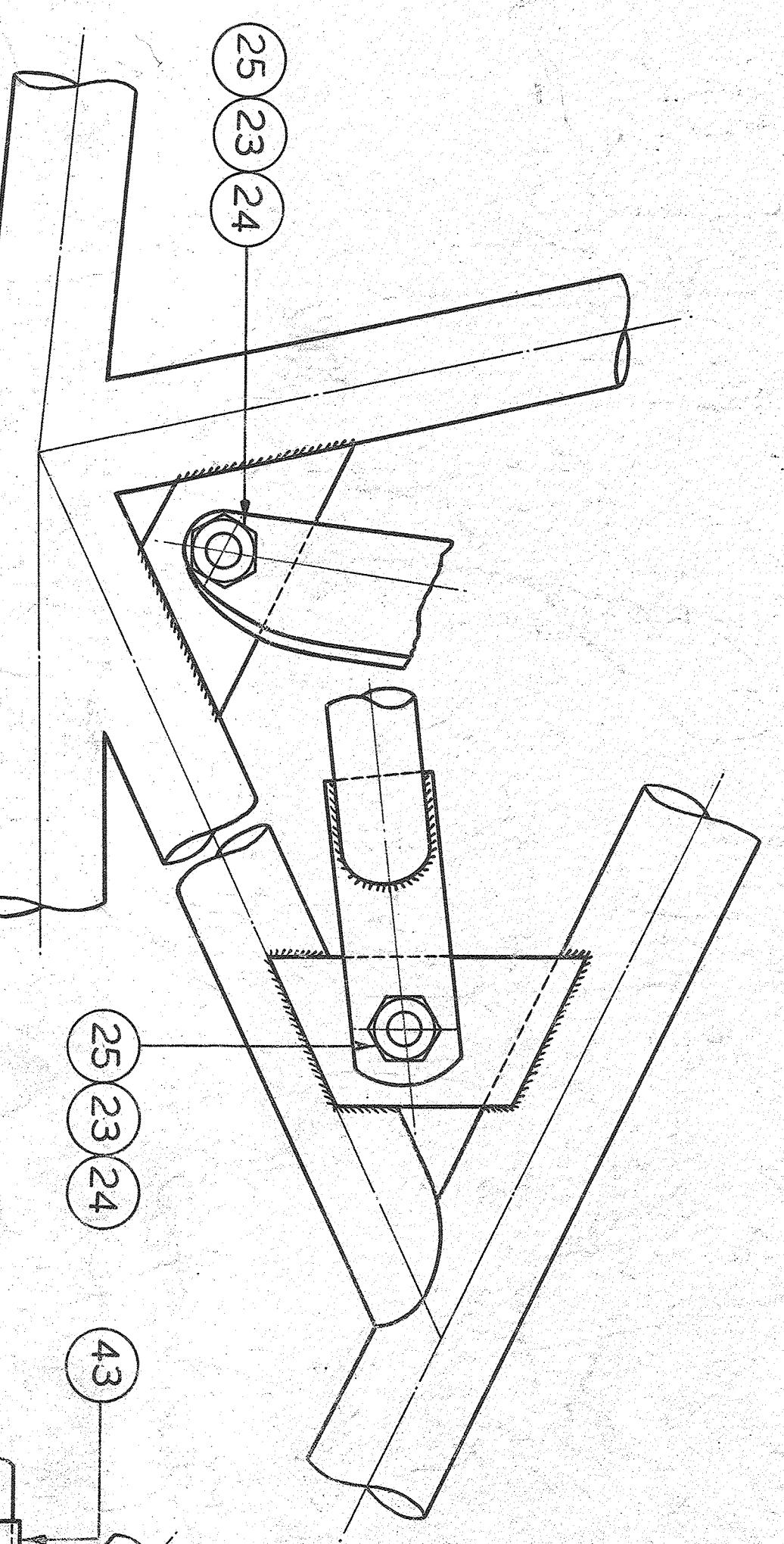
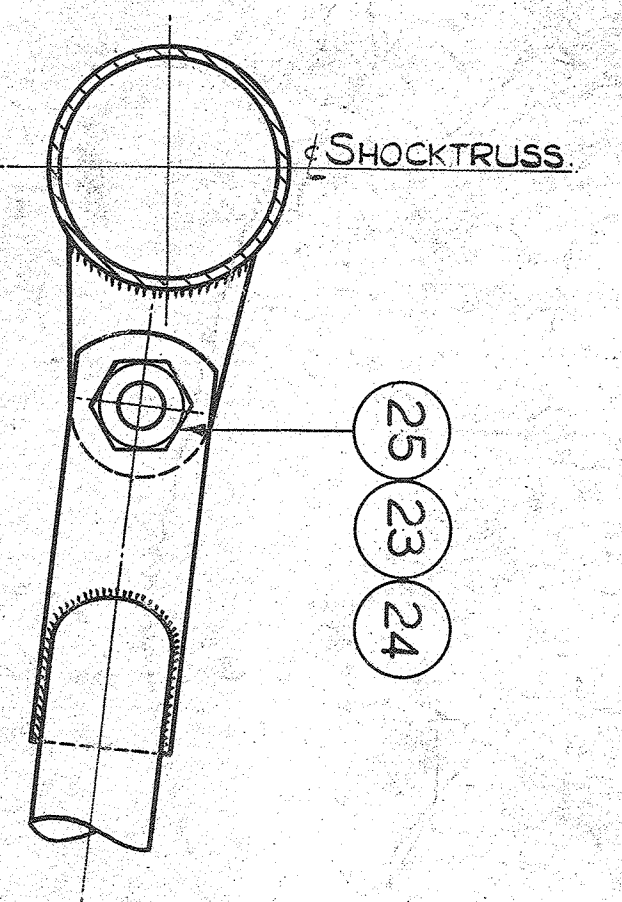


1.50 MET. SCALE DRAWING
 2. PARTIAL PRODUCTION IS
 3. DIMENSIONS ARE 1/16"
 UNLESS OTHERWISE NOTED
 DRAWING AND THE
 OFFICE ENGINEERING
 OPERATIONS.



NOTE: IT IS ESSENTIAL THAT GOOD
 ELECTRICAL CONTACT BE MADE
 AT ALL PICKUP POINTS OF SEAT
 BASE STRUCTURE.



This drawing is produced in accordance with the requirements of the Contract and shall remain the property of the customer and not be distributed outside of the customer's premises.

1/16" SCALE
 1/8" SCALE
 1/4" SCALE
 1/2" SCALE
 3/4" SCALE
 1" SCALE
 1 1/4" SCALE
 1 1/2" SCALE
 1 3/4" SCALE
 2" SCALE
 2 1/2" SCALE
 3" SCALE
 3 1/2" SCALE
 4" SCALE
 4 1/2" SCALE
 5" SCALE
 5 1/2" SCALE
 6" SCALE
 6 1/2" SCALE
 7" SCALE
 7 1/2" SCALE
 8" SCALE
 8 1/2" SCALE
 9" SCALE
 9 1/2" SCALE
 10" SCALE
 10 1/2" SCALE
 11" SCALE
 11 1/2" SCALE
 12" SCALE
 12 1/2" SCALE
 13" SCALE
 13 1/2" SCALE
 14" SCALE
 14 1/2" SCALE
 15" SCALE
 15 1/2" SCALE
 16" SCALE
 16 1/2" SCALE
 17" SCALE
 17 1/2" SCALE
 18" SCALE
 18 1/2" SCALE
 19" SCALE
 19 1/2" SCALE
 20" SCALE
 20 1/2" SCALE
 21" SCALE
 21 1/2" SCALE
 22" SCALE
 22 1/2" SCALE
 23" SCALE
 23 1/2" SCALE
 24" SCALE
 24 1/2" SCALE
 25" SCALE
 25 1/2" SCALE
 26" SCALE
 26 1/2" SCALE
 27" SCALE
 27 1/2" SCALE
 28" SCALE
 28 1/2" SCALE
 29" SCALE
 29 1/2" SCALE
 30" SCALE
 30 1/2" SCALE
 31" SCALE
 31 1/2" SCALE
 32" SCALE
 32 1/2" SCALE
 33" SCALE
 33 1/2" SCALE
 34" SCALE
 34 1/2" SCALE
 35" SCALE
 35 1/2" SCALE
 36" SCALE
 36 1/2" SCALE
 37" SCALE
 37 1/2" SCALE
 38" SCALE
 38 1/2" SCALE
 39" SCALE
 39 1/2" SCALE
 40" SCALE
 40 1/2" SCALE
 41" SCALE
 41 1/2" SCALE
 42" SCALE
 42 1/2" SCALE
 43" SCALE
 43 1/2" SCALE
 44" SCALE
 44 1/2" SCALE
 45" SCALE
 45 1/2" SCALE

6	280	1/16"	3	116
7	11/16	1/16"	3	116
8	1/16	1/16"	3	116
9	1/16	1/16"	3	116
10	1/16	1/16"	3	116
11	1/16	1/16"	3	116
12	1/16	1/16"	3	116
13	1/16	1/16"	3	116
14	1/16	1/16"	3	116
15	1/16	1/16"	3	116
16	1/16	1/16"	3	116
17	1/16	1/16"	3	116
18	1/16	1/16"	3	116
19	1/16	1/16"	3	116
20	1/16	1/16"	3	116
21	1/16	1/16"	3	116
22	1/16	1/16"	3	116
23	1/16	1/16"	3	116
24	1/16	1/16"	3	116
25	1/16	1/16"	3	116
26	1/16	1/16"	3	116
27	1/16	1/16"	3	116
28	1/16	1/16"	3	116
29	1/16	1/16"	3	116
30	1/16	1/16"	3	116
31	1/16	1/16"	3	116
32	1/16	1/16"	3	116
33	1/16	1/16"	3	116
34	1/16	1/16"	3	116
35	1/16	1/16"	3	116
36	1/16	1/16"	3	116
37	1/16	1/16"	3	116
38	1/16	1/16"	3	116
39	1/16	1/16"	3	116
40	1/16	1/16"	3	116
41	1/16	1/16"	3	116
42	1/16	1/16"	3	116
43	1/16	1/16"	3	116
44	1/16	1/16"	3	116
45	1/16	1/16"	3	116

47	PROV. SIMMONDS NUT	4
46	1/8" BOLT	4
45	1 1/2" X 8" LUG	2
44	1 1/2" X 8" LUG	2
43	1 1/2" X 8" LUG	2
42	D140 WASH-R	2
41	5/8" X 7" BOLT	2
40	2 1/2" WOODSCREW	2
39	N° 6 1/4 LG HEAD R TYPE Z CUP WASHERS N° 6	6
38	N° 6 1/4 LG HEAD O TYPE Z SP-LIT PIN	2
36	WASHER	2
35	WASHER	2
34	WASHER	2
32	NUT	2
31	1/2" SPRING WASHER	2
30	1/2" WASHER	2
29	1/2" WASHER	2
28	WASHER	2
27	WASHER	2
26	WASHER	2
25	WASHER	2
24	WASHER	2
23	WASHER	2
22	WASHER	2
21	WASHER	2
20	WASHER	2
19	WASHER	2
18	WASHER	2
17	WASHER	2
16	WASHER	2
15	WASHER	2
14	WASHER	2
13	WASHER	2
12	WASHER	2
11	WASHER	2
10	WASHER	2
9	WASHER	2
8	WASHER	2
7	WASHER	2
6	WASHER	2
5	WASHER	2
4	WASHER	2
3	WASHER	2
2	WASHER	2
1	WASHER	2

PROTECTIVE TREATMENT
 SCALE 1/16", 1/8", 1/4", 1/2", 3/4", 1", 1 1/4", 1 1/2", 1 3/4", 2", 2 1/2", 3", 3 1/2", 4", 4 1/2", 5", 5 1/2", 6", 6 1/2", 7", 7 1/2", 8", 8 1/2", 9", 9 1/2", 10", 10 1/2", 11", 11 1/2", 12", 12 1/2", 13", 13 1/2", 14", 14 1/2", 15", 15 1/2", 16", 16 1/2", 17", 17 1/2", 18", 18 1/2", 19", 19 1/2", 20", 20 1/2", 21", 21 1/2", 22", 22 1/2", 23", 23 1/2", 24", 24 1/2", 25", 25 1/2", 26", 26 1/2", 27", 27 1/2", 28", 28 1/2", 29", 29 1/2", 30", 30 1/2", 31", 31 1/2", 32", 32 1/2", 33", 33 1/2", 34", 34 1/2", 35", 35 1/2", 36", 36 1/2", 37", 37 1/2", 38", 38 1/2", 39", 39 1/2", 40", 40 1/2", 41", 41 1/2", 42", 42 1/2", 43", 43 1/2", 44", 44 1/2", 45", 45 1/2"

DRAWING E3A 65M3
 PART N23411321M3