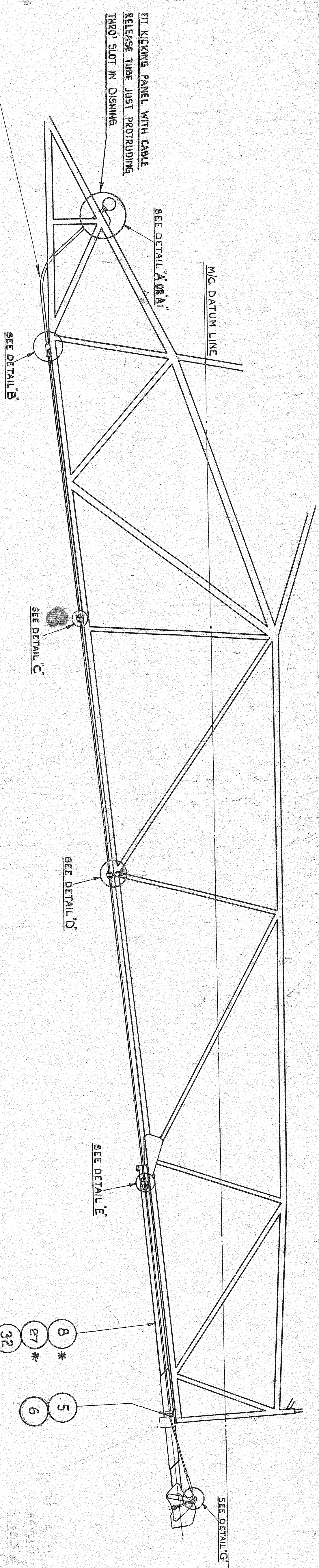


FOR SCALE DRAWINGS  
 R. 0.125" = 1" PROJECTION ON IS  
 R. 0.125" = 1" UNLESS OTHERWISE SPECIFIED

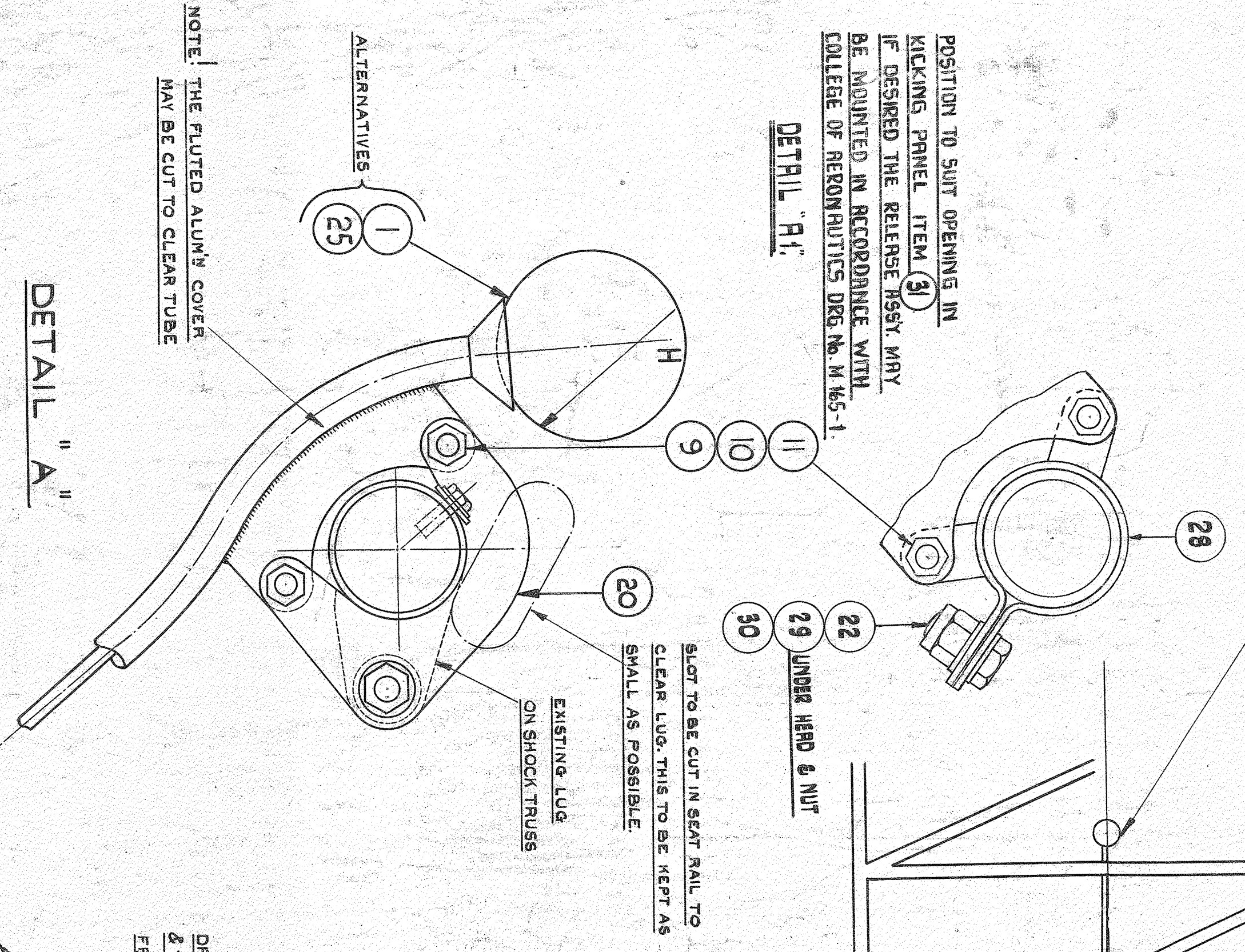
1. All dimensions are given in inches unless otherwise specified.  
 2. All dimensions are to be taken from the datum lines unless otherwise specified.  
 3. The dimensions and the location of the mounting holes are to be taken from the drawings unless otherwise specified.  
 4. All dimensions are to be taken from the datum lines unless otherwise specified.  
 5. All dimensions are to be taken from the datum lines unless otherwise specified.  
 6. All dimensions are to be taken from the datum lines unless otherwise specified.  
 7. All dimensions are to be taken from the datum lines unless otherwise specified.  
 8. All dimensions are to be taken from the datum lines unless otherwise specified.  
 9. All dimensions are to be taken from the datum lines unless otherwise specified.  
 10. All dimensions are to be taken from the datum lines unless otherwise specified.



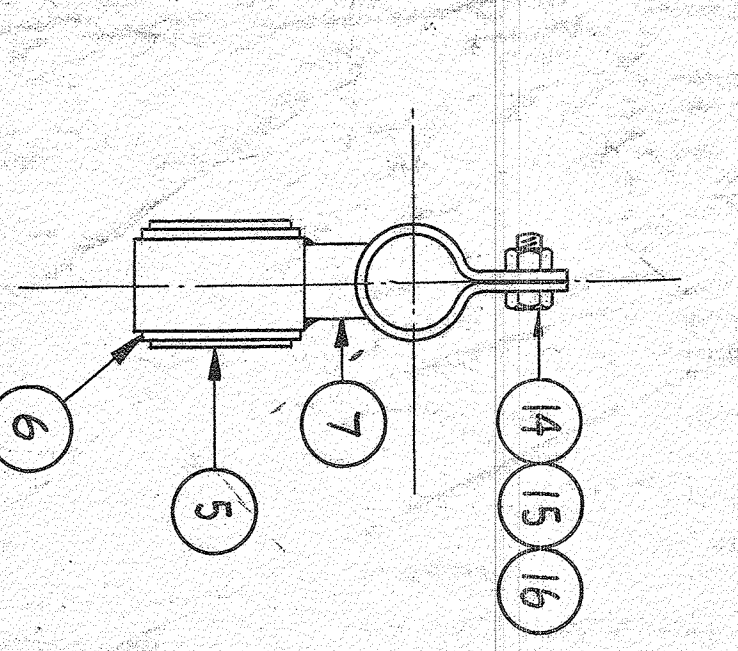
**NOTE!**  
 WHEN ITEM 25 IS USED  
 SEE DETAIL J FOR  
 PARTICULARS OF FINISH

POSITION TO SHUT OPENINGS IN  
 KICKING PANEL ITEM 31  
 IF DESIGNED IN ACCORDANCE WITH  
 BE MOUNTED IN ACCORDANCE WITH  
 COLLIER OF RECONSTRUCTORS DES. NO. M 165-1

**DETAIL "H"**

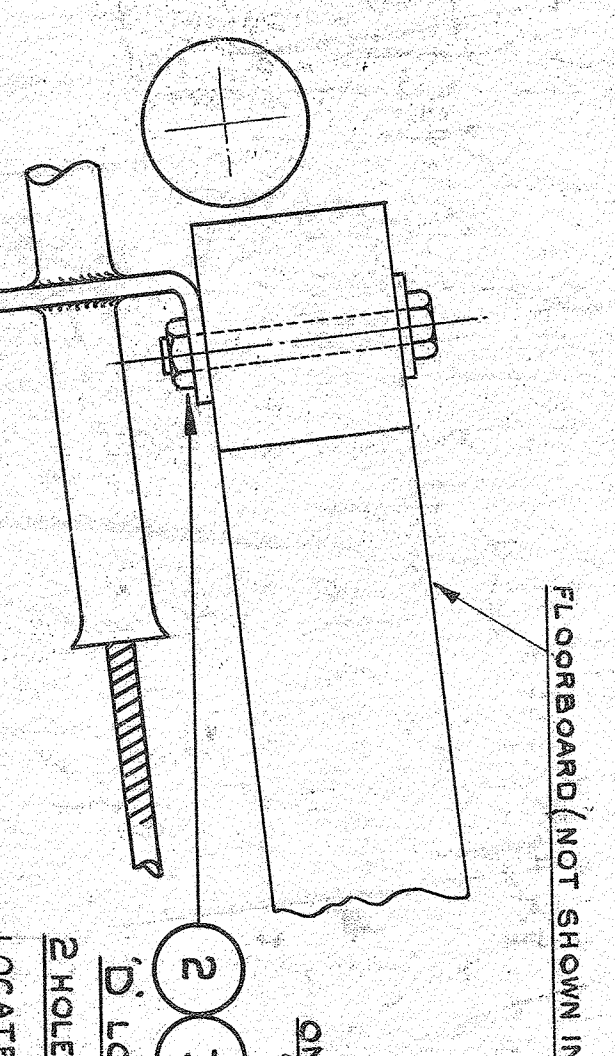


**DETAIL "A"**

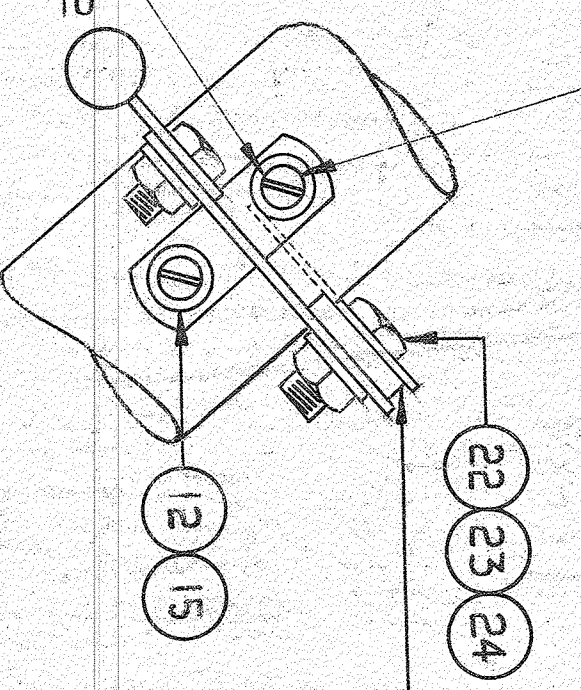


DRILL SHOCK TRUSS WITH NO. 3/32 DRILL  
 & TAP 4/16" THREAD. LOCATE DRILL  
 FROM HOLES IN BRACKET

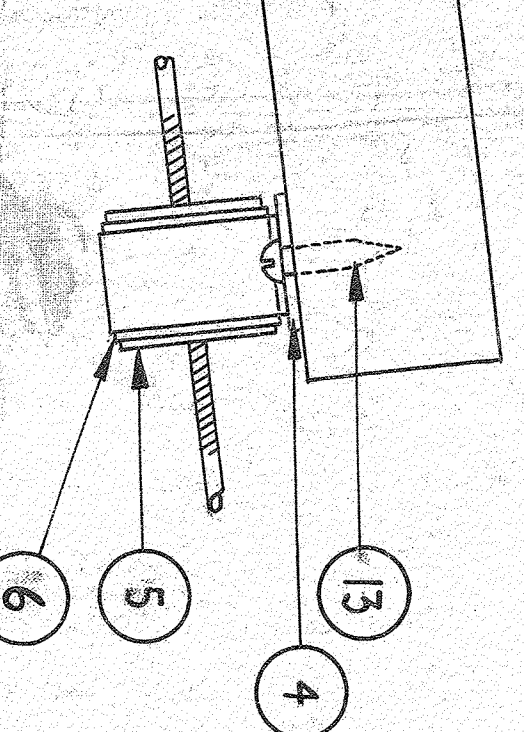
**DETAIL "B"**



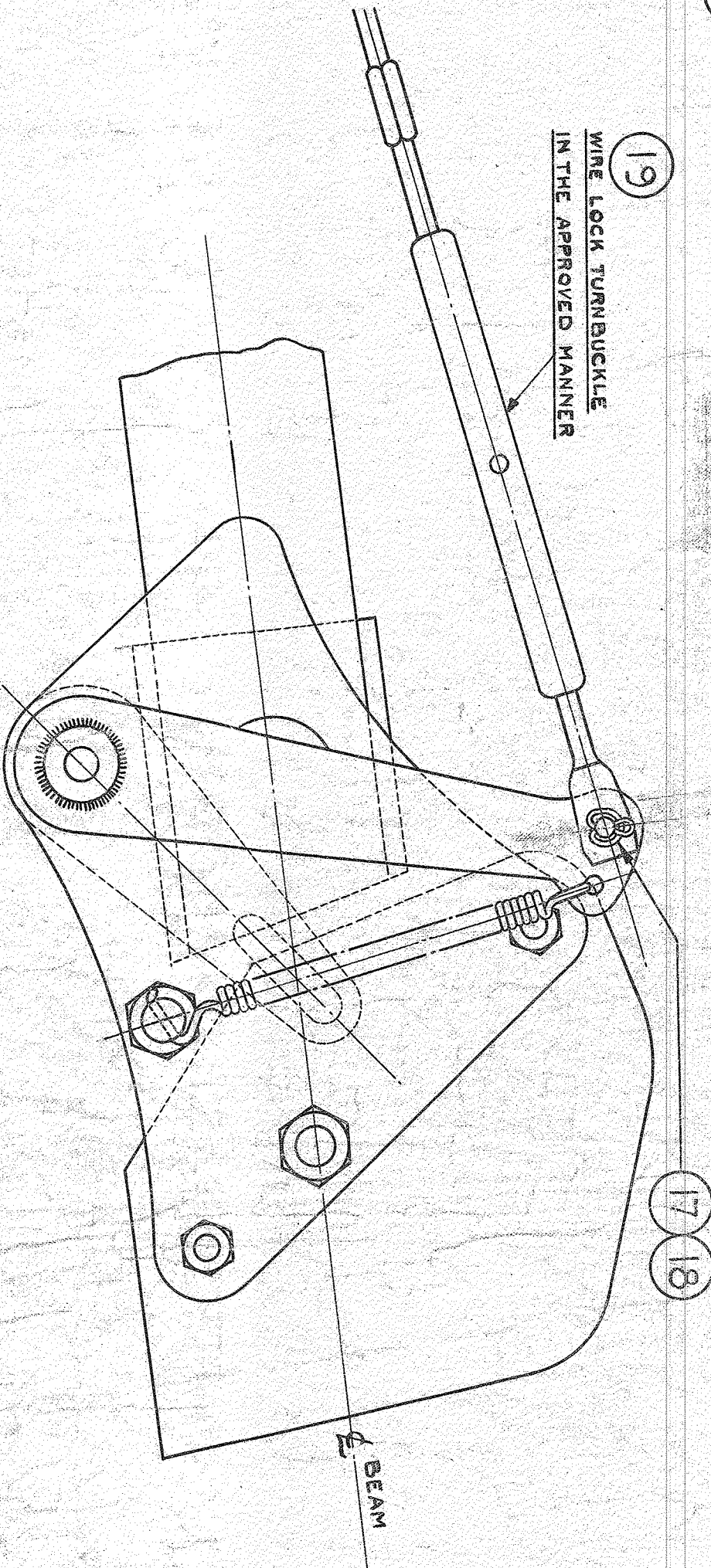
**VIEW ON ARROW "H"**  
 (WITH KINGS REMOVED)



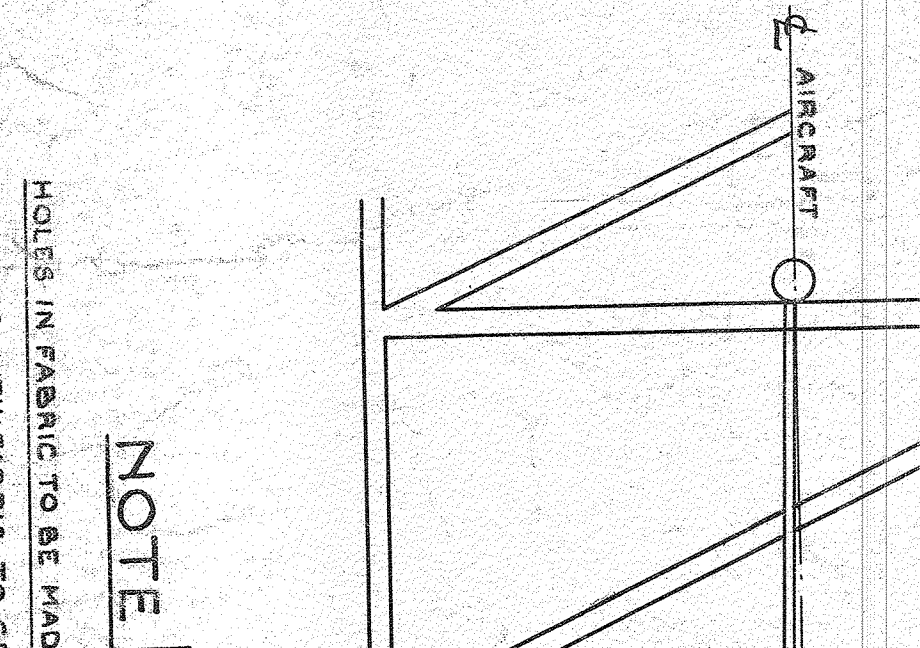
**DETAIL "C"**



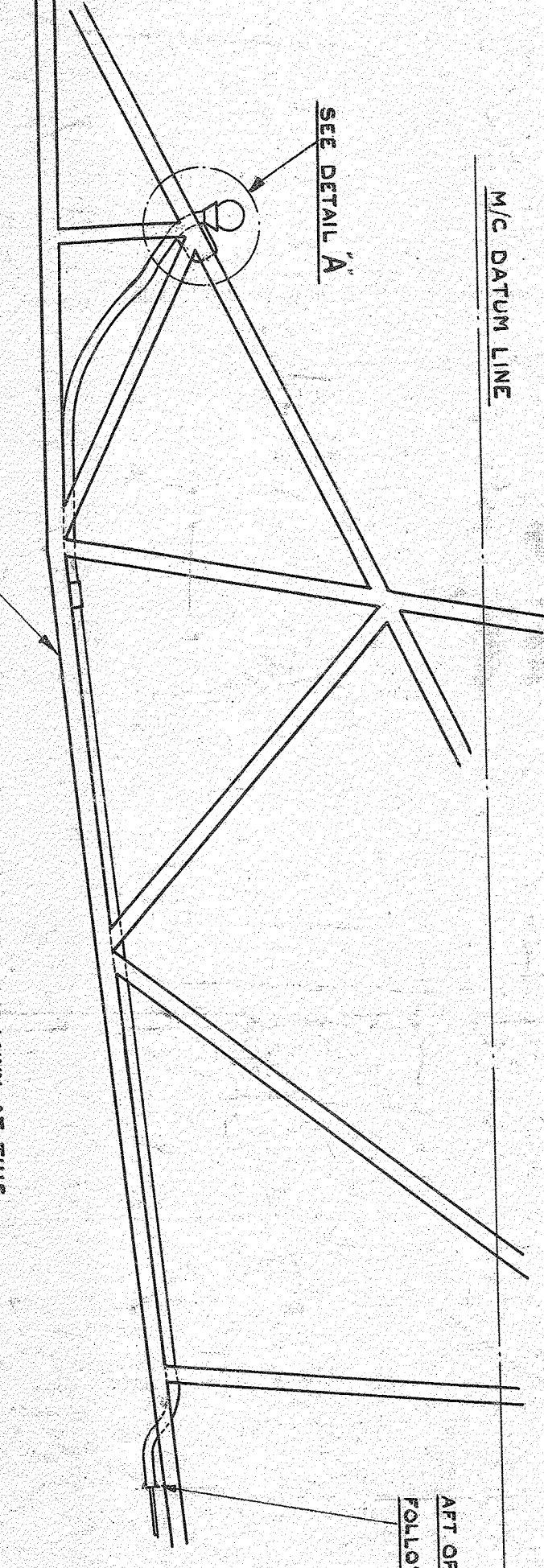
**SECTION "K-K"**  
 (TYPICAL FOR THE 3 FININGS OF ITEM 25)



**DETAIL "G"**



**DETAIL "J"**



THE INSTALLATION SHOWN AT THIS  
 DETAIL IS ONLY TO BE USED WHEN  
 THE GLIDER TOWING BEAM IS FITTED  
 TO AN MC AIRCRAFT EQUIPPED FOR  
 LONG RANGE FLYING.

AT OF THIS POINT THE CABLE  
 FOLLOWS THE SAME RUN AS ITEM 1

**NOTE!**  
 HOLES IN FABRIC TO BE MADE GOOD BY  
 PATCHING WITH FABRIC TO SPECIFICATION  
 DTD 575. PATCHES TO BE WELL DOPED ON  
 AND TO OVERLAP CUTOUTS BY 2.00"  
 FINISH TO MATCH EXISTING.

ITEMS 1 & 25 ARE	COMPRESSING ITEMS
1	1.75" x 1.75" (18, 14, 10, 15, 20, 25, 28, 29)
2	1.00" x 1.00" (18, 14, 10, 15, 20, 25, 28, 29)

AT OF THIS POINT THE CABLE  
 FOLLOWS THE SAME RUN AS ITEM 1

\* ITEM 1 IS SUITABLE FOR GLIDER TOWING ONLY.  
 ITEM 27 IS SUITABLE FOR BANNER AND GLIDER  
 TOWING.

ITEM NO.	DESCRIPTION	QTY	ASSEMBLY
1	1.75" x 1.75" COMPRESSING ITEM	1	1
2	1.00" x 1.00" COMPRESSING ITEM	1	1
3	1.75" x 1.75" COMPRESSING ITEM	1	1
4	1.00" x 1.00" COMPRESSING ITEM	1	1
5	1.75" x 1.75" COMPRESSING ITEM	1	1
6	1.00" x 1.00" COMPRESSING ITEM	1	1
7	1.75" x 1.75" COMPRESSING ITEM	1	1
8	1.00" x 1.00" COMPRESSING ITEM	1	1
9	1.75" x 1.75" COMPRESSING ITEM	1	1
10	1.00" x 1.00" COMPRESSING ITEM	1	1
11	1.75" x 1.75" COMPRESSING ITEM	1	1
12	1.00" x 1.00" COMPRESSING ITEM	1	1
13	1.75" x 1.75" COMPRESSING ITEM	1	1
14	1.00" x 1.00" COMPRESSING ITEM	1	1
15	1.75" x 1.75" COMPRESSING ITEM	1	1
16	1.00" x 1.00" COMPRESSING ITEM	1	1
17	1.75" x 1.75" COMPRESSING ITEM	1	1
18	1.00" x 1.00" COMPRESSING ITEM	1	1
19	1.75" x 1.75" COMPRESSING ITEM	1	1
20	1.00" x 1.00" COMPRESSING ITEM	1	1
21	1.75" x 1.75" COMPRESSING ITEM	1	1
22	1.00" x 1.00" COMPRESSING ITEM	1	1
23	1.75" x 1.75" COMPRESSING ITEM	1	1
24	1.00" x 1.00" COMPRESSING ITEM	1	1
25	1.75" x 1.75" COMPRESSING ITEM	1	1
26	1.00" x 1.00" COMPRESSING ITEM	1	1
27	1.75" x 1.75" COMPRESSING ITEM	1	1
28	1.00" x 1.00" COMPRESSING ITEM	1	1
29	1.75" x 1.75" COMPRESSING ITEM	1	1
30	1.00" x 1.00" COMPRESSING ITEM	1	1

**DETAIL "D"**

ITEM NO.	DESCRIPTION	QTY	ASSEMBLY
1	1.75" x 1.75" COMPRESSING ITEM	1	1
2	1.00" x 1.00" COMPRESSING ITEM	1	1
3	1.75" x 1.75" COMPRESSING ITEM	1	1
4	1.00" x 1.00" COMPRESSING ITEM	1	1
5	1.75" x 1.75" COMPRESSING ITEM	1	1
6	1.00" x 1.00" COMPRESSING ITEM	1	1
7	1.75" x 1.75" COMPRESSING ITEM	1	1
8	1.00" x 1.00" COMPRESSING ITEM	1	1
9	1.75" x 1.75" COMPRESSING ITEM	1	1
10	1.00" x 1.00" COMPRESSING ITEM	1	1
11	1.75" x 1.75" COMPRESSING ITEM	1	1
12	1.00" x 1.00" COMPRESSING ITEM	1	1
13	1.75" x 1.75" COMPRESSING ITEM	1	1
14	1.00" x 1.00" COMPRESSING ITEM	1	1
15	1.75" x 1.75" COMPRESSING ITEM	1	1
16	1.00" x 1.00" COMPRESSING ITEM	1	1
17	1.75" x 1.75" COMPRESSING ITEM	1	1
18	1.00" x 1.00" COMPRESSING ITEM	1	1
19	1.75" x 1.75" COMPRESSING ITEM	1	1
20	1.00" x 1.00" COMPRESSING ITEM	1	1
21	1.75" x 1.75" COMPRESSING ITEM	1	1
22	1.00" x 1.00" COMPRESSING ITEM	1	1
23	1.75" x 1.75" COMPRESSING ITEM	1	1
24	1.00" x 1.00" COMPRESSING ITEM	1	1
25	1.75" x 1.75" COMPRESSING ITEM	1	1
26	1.00" x 1.00" COMPRESSING ITEM	1	1
27	1.75" x 1.75" COMPRESSING ITEM	1	1
28	1.00" x 1.00" COMPRESSING ITEM	1	1
29	1.75" x 1.75" COMPRESSING ITEM	1	1
30	1.00" x 1.00" COMPRESSING ITEM	1	1

**DETAIL "E"**

ITEM NO.	DESCRIPTION	QTY	ASSEMBLY
1	1.75" x 1.75" COMPRESSING ITEM	1	1
2	1.00" x 1.00" COMPRESSING ITEM	1	1
3	1.75" x 1.75" COMPRESSING ITEM	1	1
4	1.00" x 1.00" COMPRESSING ITEM	1	1
5	1.75" x 1.75" COMPRESSING ITEM	1	1
6	1.00" x 1.00" COMPRESSING ITEM	1	1
7	1.75" x 1.75" COMPRESSING ITEM	1	1
8	1.00" x 1.00" COMPRESSING ITEM	1	1
9	1.75" x 1.75" COMPRESSING ITEM	1	1
10	1.00" x 1.00" COMPRESSING ITEM	1	1
11	1.75" x 1.75" COMPRESSING ITEM	1	1
12	1.00" x 1.00" COMPRESSING ITEM	1	1
13	1.75" x 1.75" COMPRESSING ITEM	1	1
14	1.00" x 1.00" COMPRESSING ITEM	1	1
15	1.75" x 1.75" COMPRESSING ITEM	1	1
16	1.00" x 1.00" COMPRESSING ITEM	1	1
17	1.75" x 1.75" COMPRESSING ITEM	1	1
18	1.00" x 1.00" COMPRESSING ITEM	1	1
19	1.75" x 1.75" COMPRESSING ITEM	1	1
20	1.00" x 1.00" COMPRESSING ITEM	1	1
21	1.75" x 1.75" COMPRESSING ITEM	1	1
22	1.00" x 1.00" COMPRESSING ITEM	1	1
23	1.75" x 1.75" COMPRESSING ITEM	1	1
24	1.00" x 1.00" COMPRESSING ITEM	1	1
25	1.75" x 1.75" COMPRESSING ITEM	1	1
26	1.00" x 1.00" COMPRESSING ITEM	1	1
27	1.75" x 1.75" COMPRESSING ITEM	1	1
28	1.00" x 1.00" COMPRESSING ITEM	1	1
29	1.75" x 1.75" COMPRESSING ITEM	1	1
30	1.00" x 1.00" COMPRESSING ITEM	1	1

CIVIL A/C  
 LETTERS USED ABCDEFGHIK

GLIDER/BANNER TOWING INSTALLATION

SCALE: 1/8" & FULL SIZE.

APPROVED: [Signature]

DATE: [Date]

PROJECT: [Project Name]

CLIENT: [Client Name]

DESIGNER: [Designer Name]

DATE: [Date]

SCALE: [Scale]

PROJECT: [Project Name]

CLIENT: [Client Name]

DESIGNER: [Designer Name]

DATE: [Date]

SCALE: [Scale]

PROJECT: [Project Name]

CLIENT: [Client Name]

DESIGNER: [Designer Name]

DATE: [Date]

SCALE: [Scale]

PROJECT: [Project Name]

CLIENT: [Client Name]

DESIGNER: [Designer Name]

DATE: [Date]

SCALE: [Scale]

PROJECT: [Project Name]

CLIENT: [Client Name]

DESIGNER: [Designer Name]

DATE: [Date]

SCALE: [Scale]

PROJECT: [Project Name]

CLIENT: [Client Name]

DESIGNER: [Designer Name]

DATE: [Date]

SCALE: [Scale]

PROJECT: [Project Name]

CLIENT: [Client Name]

DESIGNER: [Designer Name]

DATE: [Date]

SCALE: [Scale]

PROJECT: [Project Name]

CLIENT: [Client Name]

DESIGNER: [Designer Name]

DATE: [Date]

SCALE: [Scale]

PROJECT: [Project Name]

CLIENT: [Client Name]