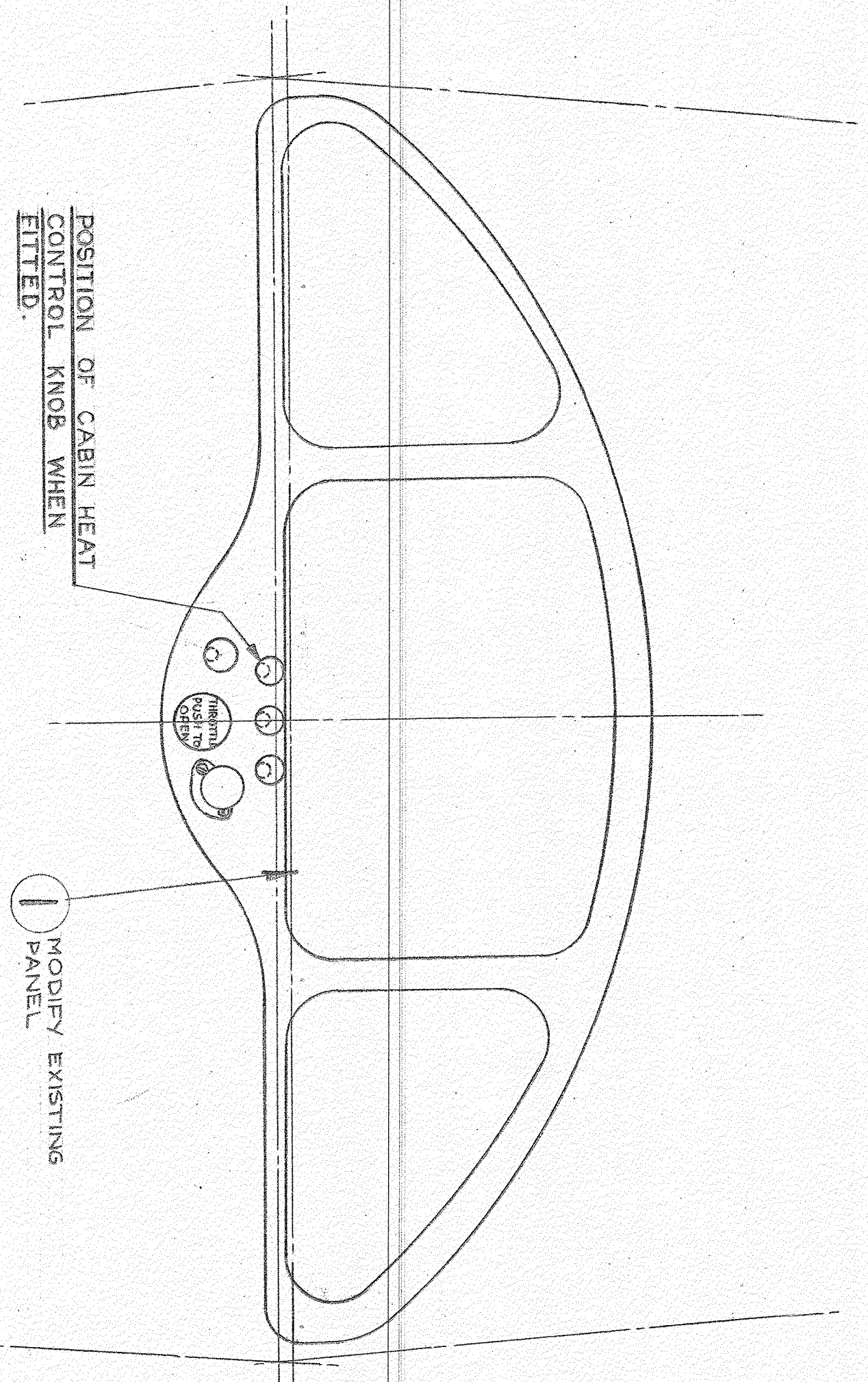
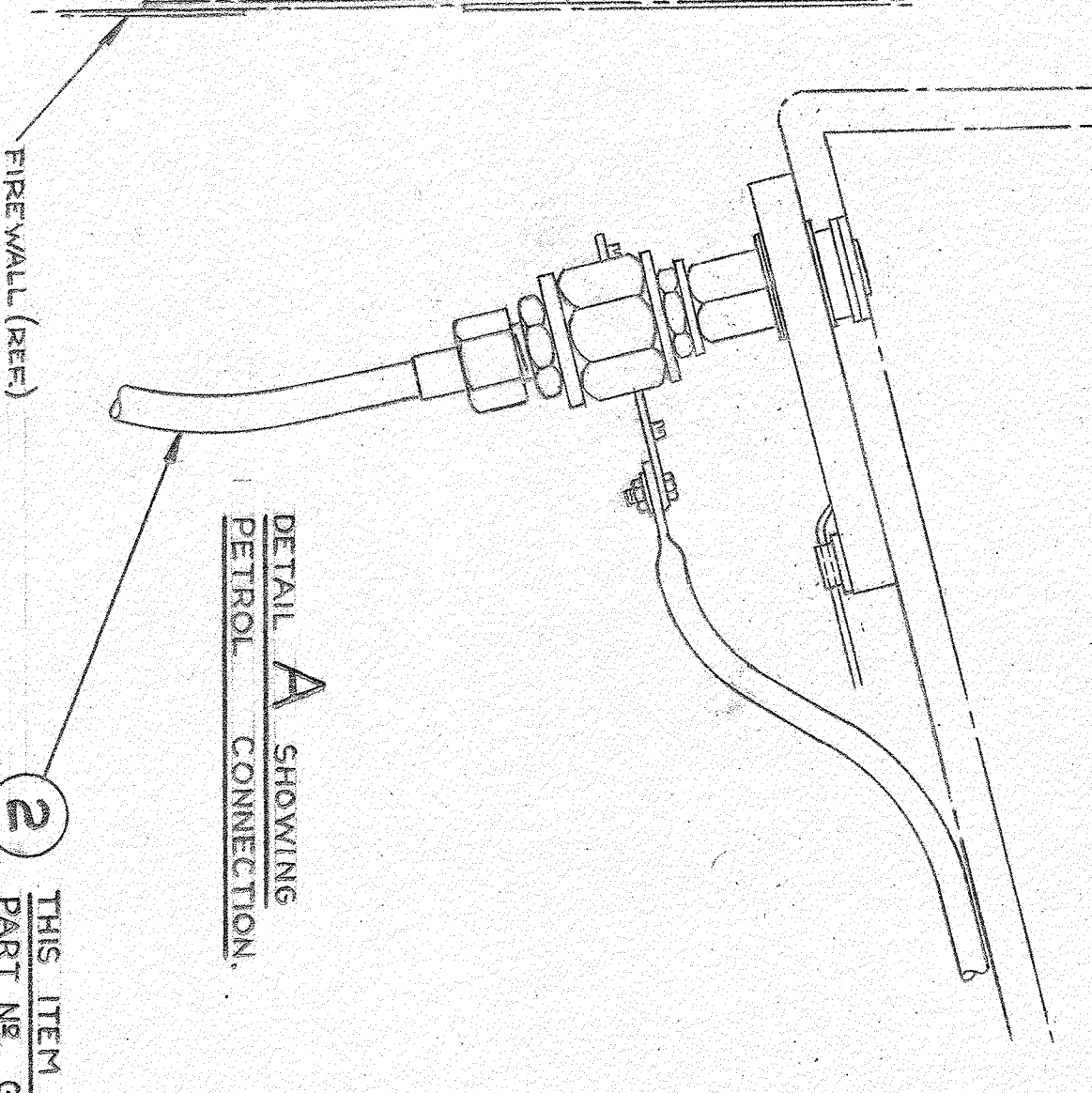
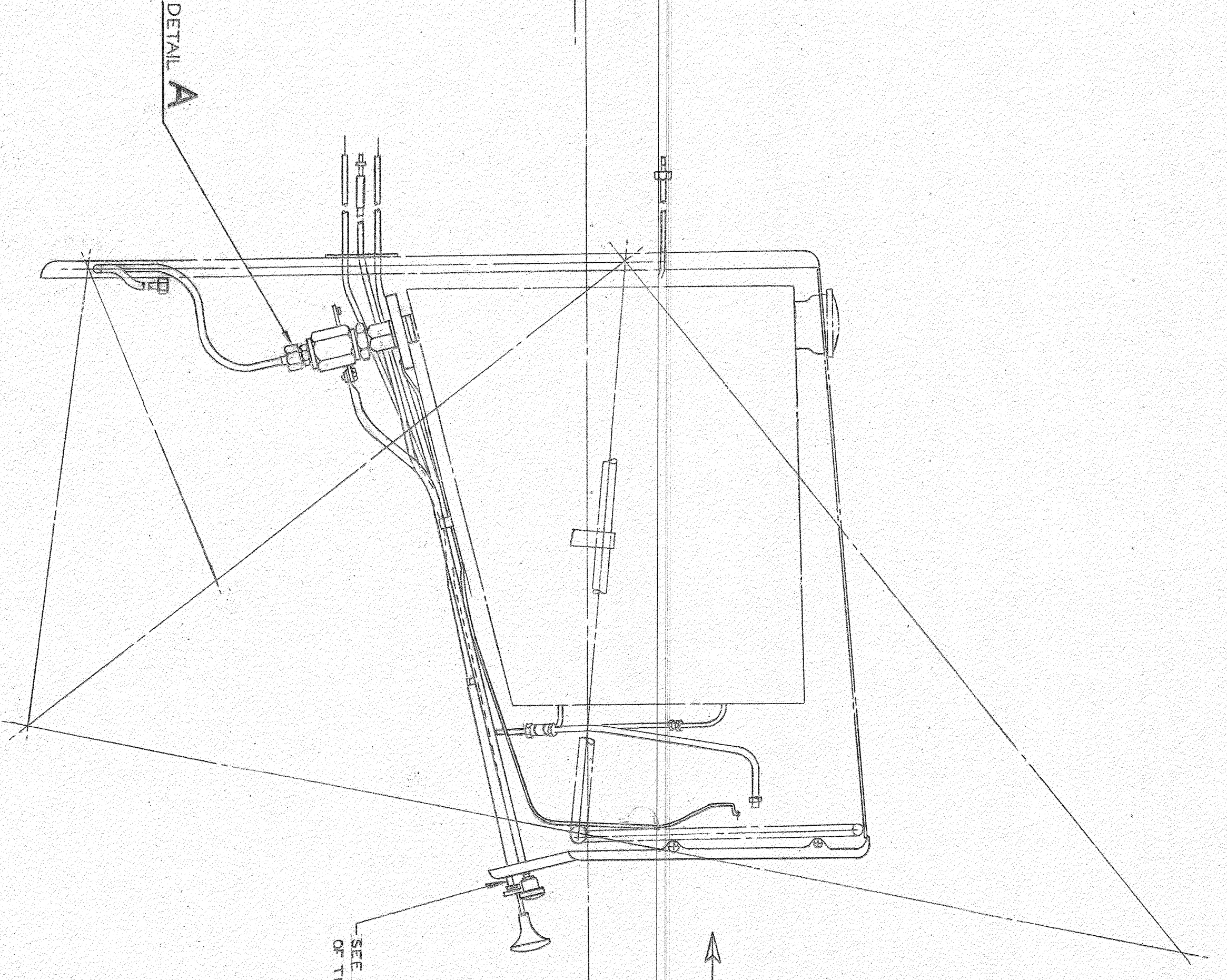


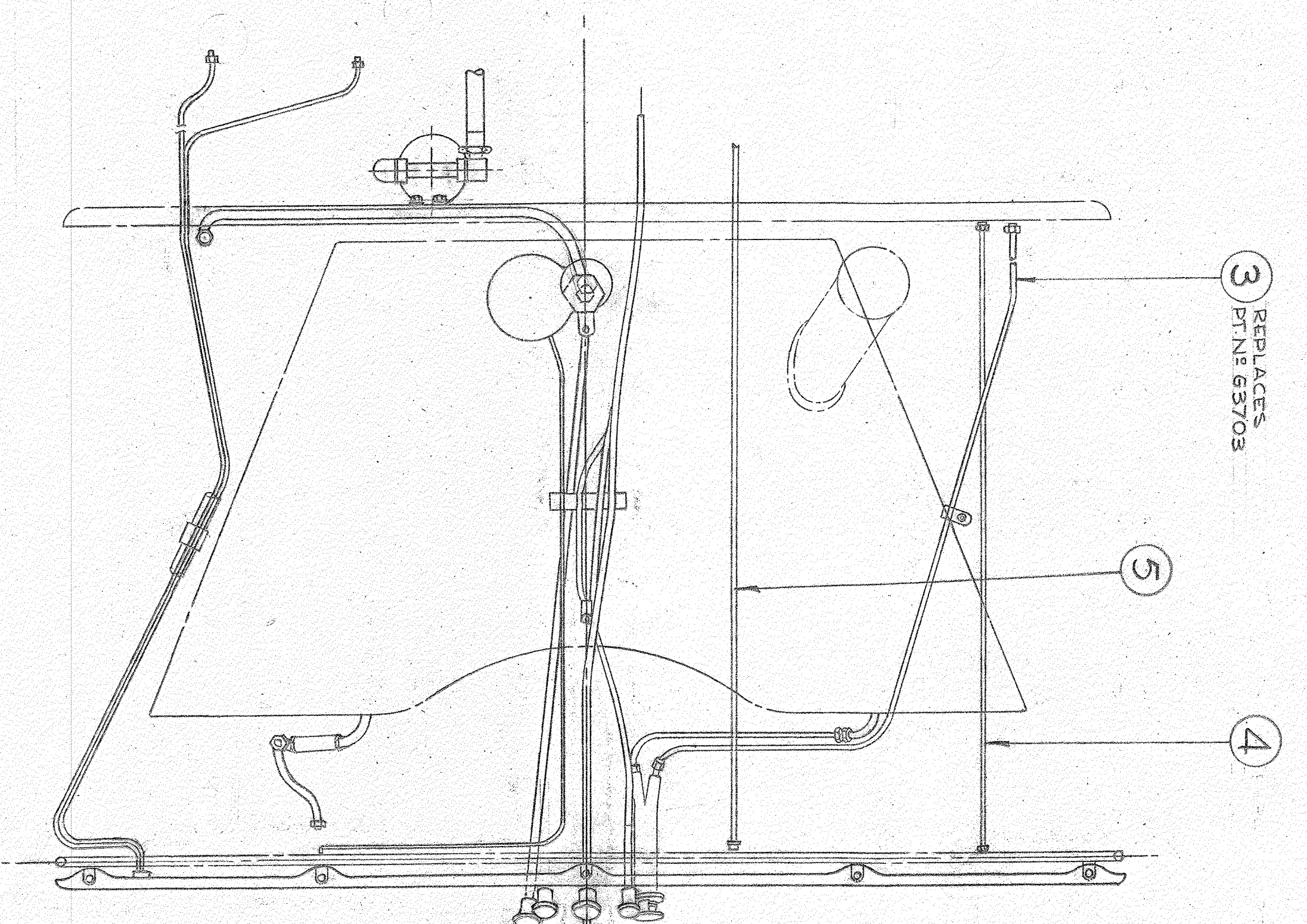
1. DO NOT CUT DRAWING.
2. PREFER POSITION IS SHOWN UNLESS OTHERWISE STATED.
3. DIMENSIONS ARE IN INCHES UNLESS OTHERWISE STATED.
4. DIMENSIONS ARE IN MILLIMETERS UNLESS OTHERWISE STATED.
5. DIMENSIONS ARE IN METERS UNLESS OTHERWISE STATED.
6. DIMENSIONS ARE IN FEET UNLESS OTHERWISE STATED.
7. DIMENSIONS ARE IN KILOMETERS UNLESS OTHERWISE STATED.
8. DIMENSIONS ARE IN MILES UNLESS OTHERWISE STATED.



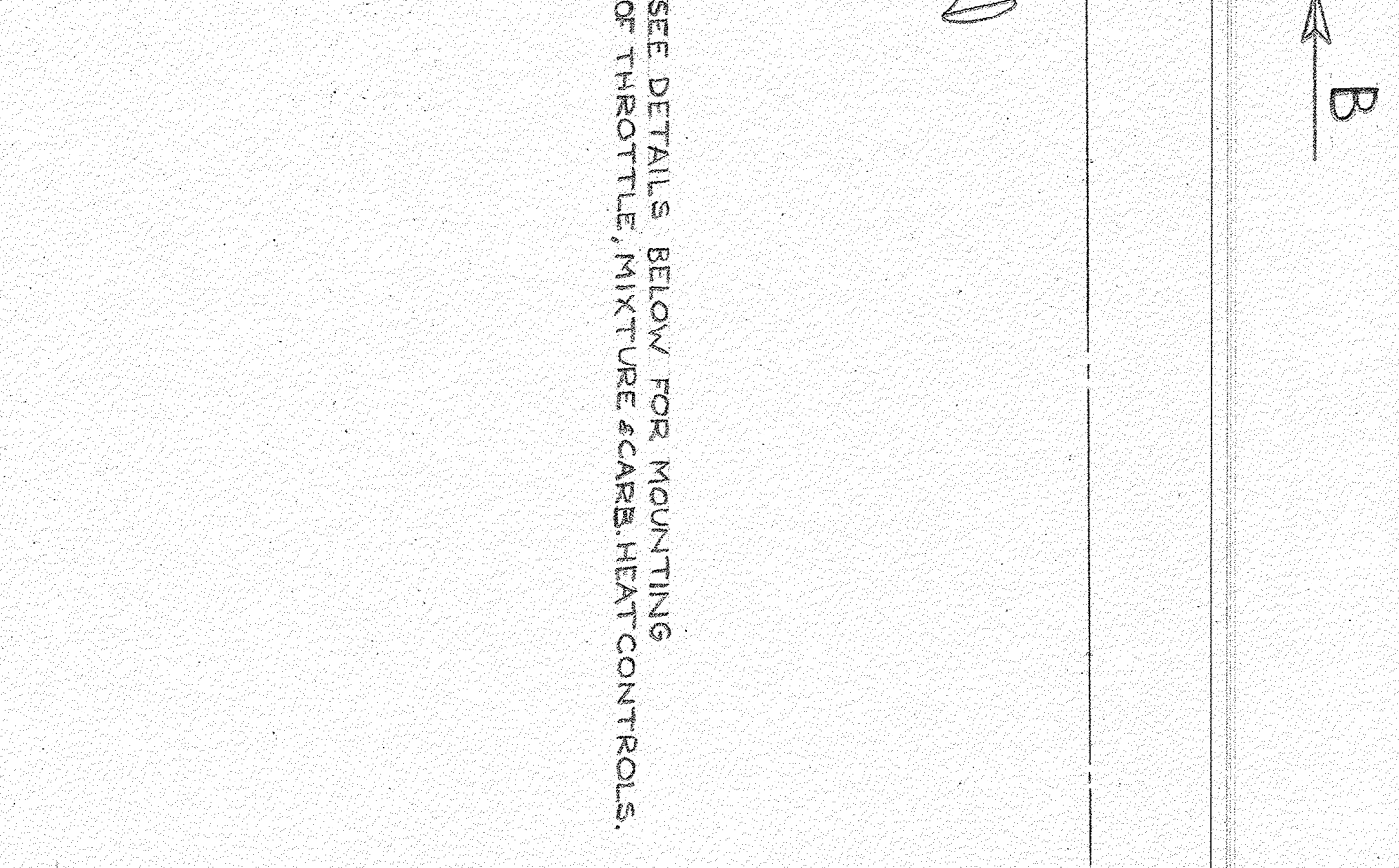
VIEW ON ARROW B



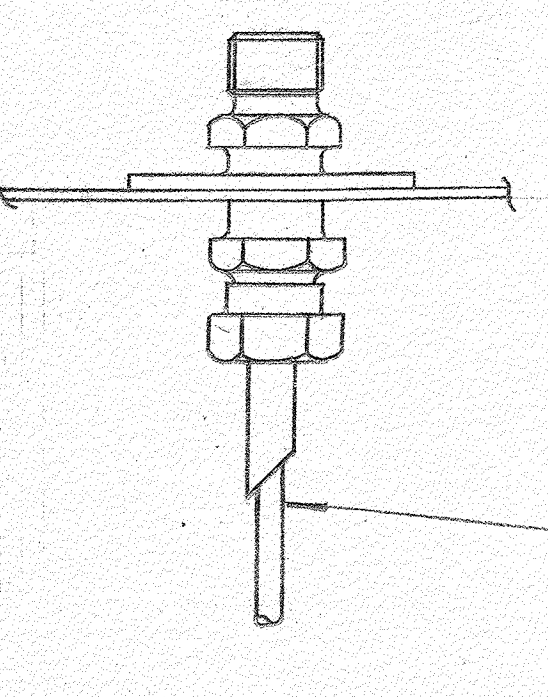
DETAIL A SHOWING PETROL CONNECTION.



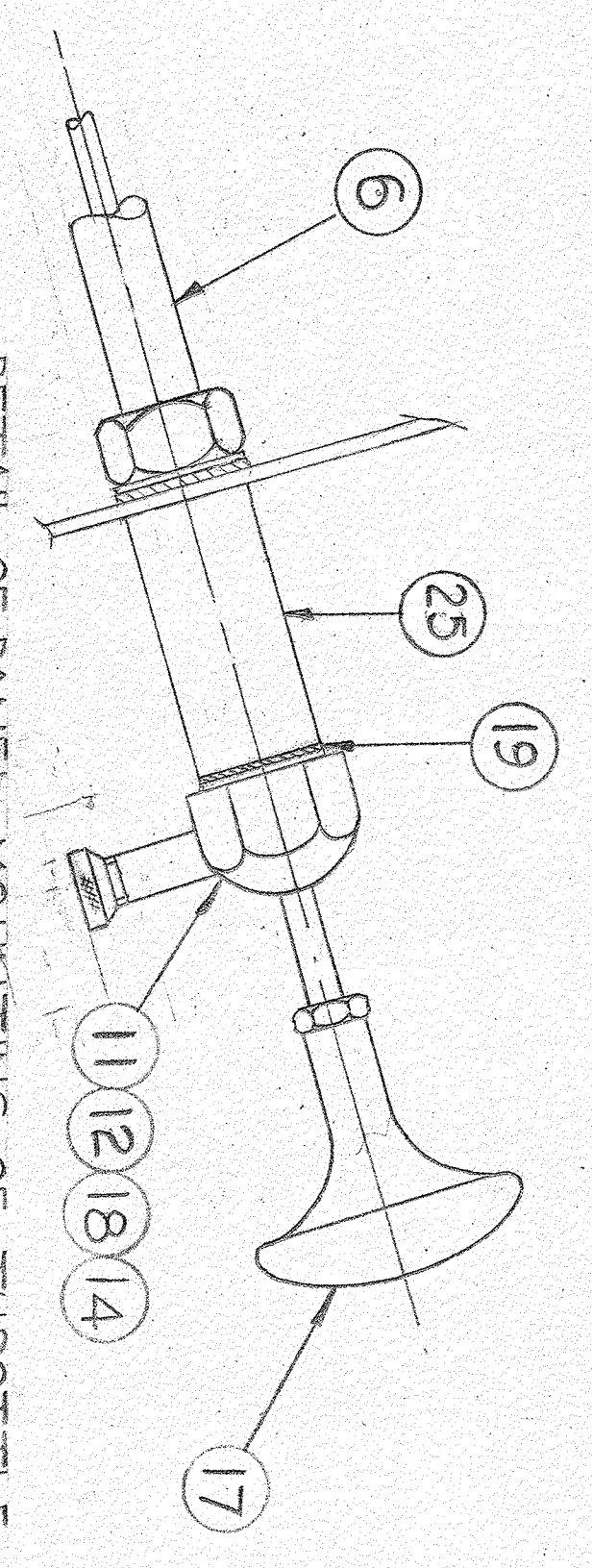
NOTE: FEATURES NOT SHOWN ON THIS DRAWING ARE AS STANDARD MK. 5 AIRCRAFT. BEARING SYSTEM WAS NOT FITTED TO 1B. CONVERSION AC G-ALYZ.



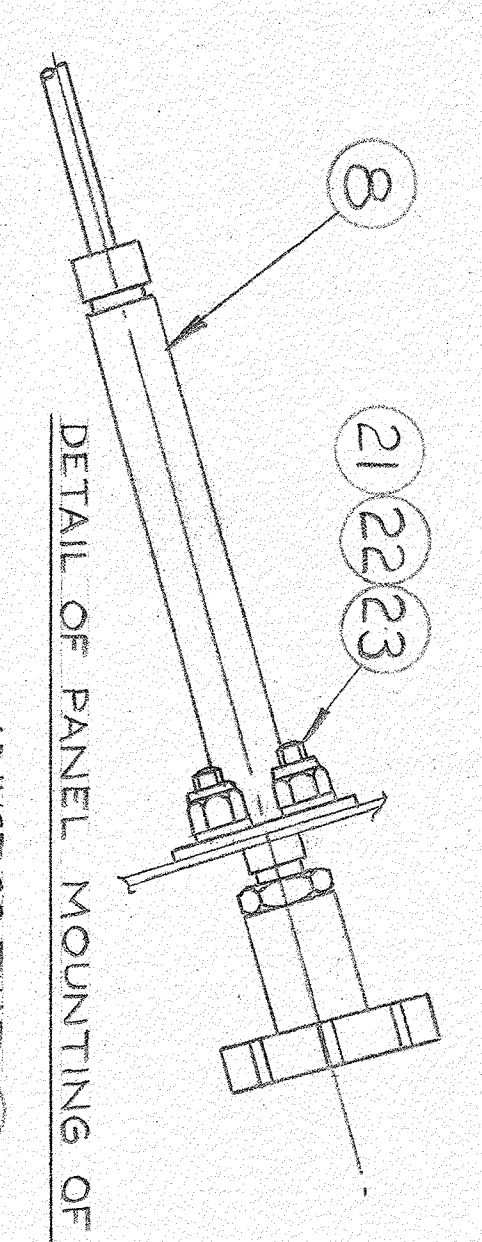
ATTACHMENT OF PRIMER PIPE TO BULKHEAD UNION.



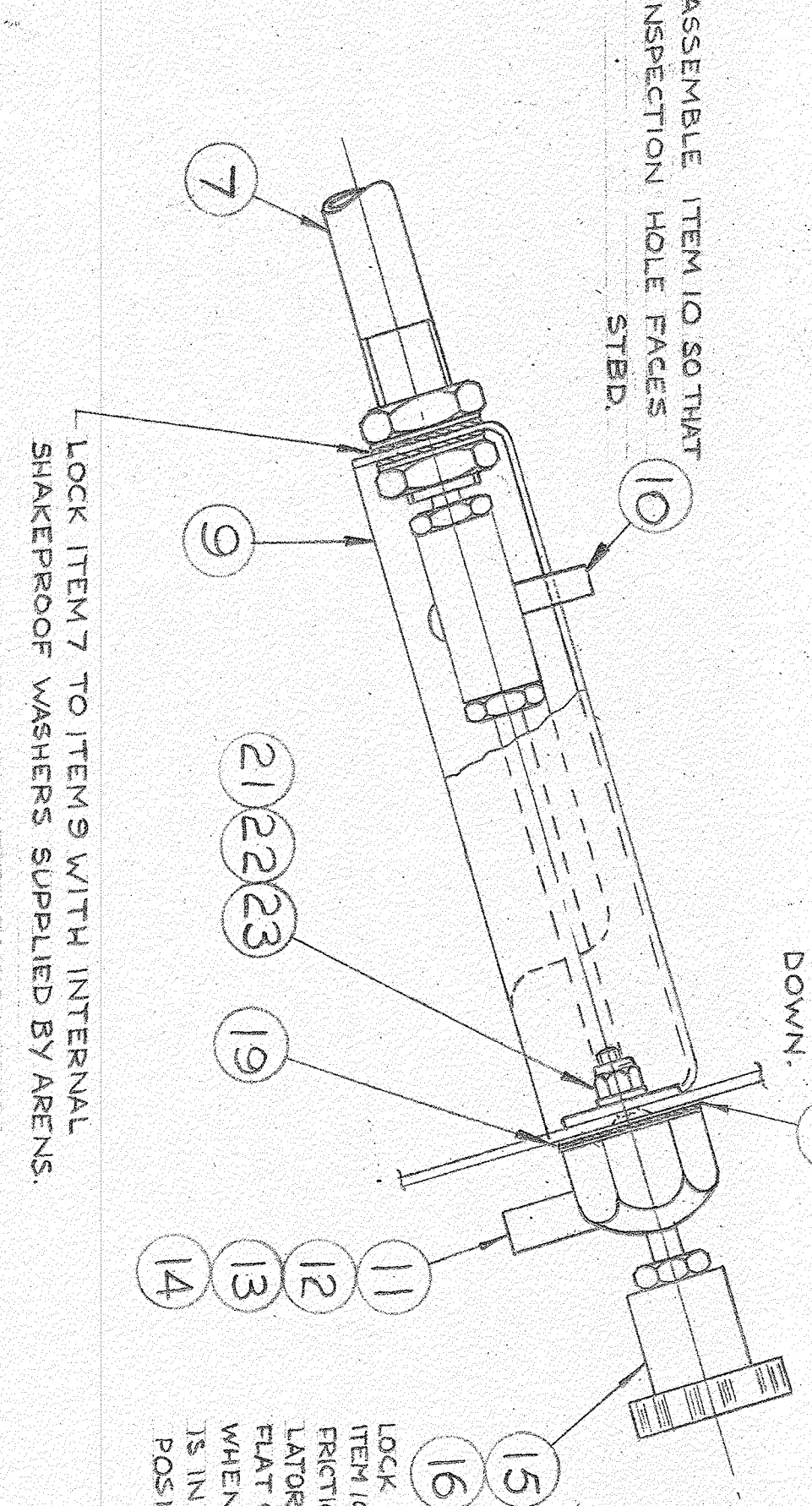
ATTACHMENT OF OIL PRESSURE PIPE TO BULKHEAD UNION.



DETAIL OF PANEL MOUNTING OF THROTTLE CONTROL



DETAIL OF PANEL MOUNTING OF CARB HEAT CONTROL



DETAIL OF PANEL MOUNTING OF MIXTURE CONTROL

ITEM NO.	DESCRIPTION	QTY	UNIT	REMARKS
1	UAV057	1	MODS. TO INSTR. PANEL	MODS. TO INSTR. PANEL
2	UAG3502	1	FUEL PIPE	UAG1194
3	UAG3102	1	PRIMER PIPE	UAG1003
4	UAG739	1	OIL PRESSURE PIPE	UAF62
5	1566960	1	TACHOMETER DRIVE	GENK008
6	1A62350	1	THROTTLE CONTROL	CIF1022
7	1A62643	1	MIXTURE CONTROL	CIF1025
8	1A66870	1	CARB. HEAT CONTROL	CIF1042
9	1A66844	1	MIXTURE CONTROL BODY	UAF1078
10	1A66821	1	SAFETY CATCH MIXTURE	UAF1017
11	1A602	1	DOME NUT	ARENS
12	1A2699	2	SPRING	ARENS
13	1A2698	1	GRUB SCREW	ARENS
14	17705457	2	STEEL BALL 3/4 DIA.	ARENS
15	1A62324	1	KNOB MIXTURE CONTROL	UAG3452
16	1A62323	1	MIXTURE CONTROL BODY	UAF1016
17	1300659	1	KNOB THROTTLE	UAG215
18	1A62464	1	FRICITION KNOB	UAF1092
19	26355L	2	SHAKEPROOF WASHER	AKA 34
20	K11393	4	SHIM	AKA 34
21	K33 3/16	4	SCREW	AKA 34
22	2635 1/2	4	NUT	AKA 34
23	2635 1/2	4	NUT	AKA 34
24	SP15 B	1	WASHER	UAF1489
25	STP 586	1	SPACER	UAF1489
26	LOCKING WIRE 2.2 SWG.	1		
27	STEEL BALL 3/4 DIA.	2		
28	SP15 B	1	WASHER	UAF1489
29	STP 586	1	SPACER	UAF1489
30	LOCKING WIRE 2.2 SWG.	1		

REV.	DATE	BY	CHKD.	DESCRIPTION
1				
2				
3				
4				
5				
6				
7				
8				

LOCK ALL UNIONS WITH ITEM 24.  
ASSEMBLE ALL CONTROL KNOBS WITH LETTERING RIGHT WAY UP.

