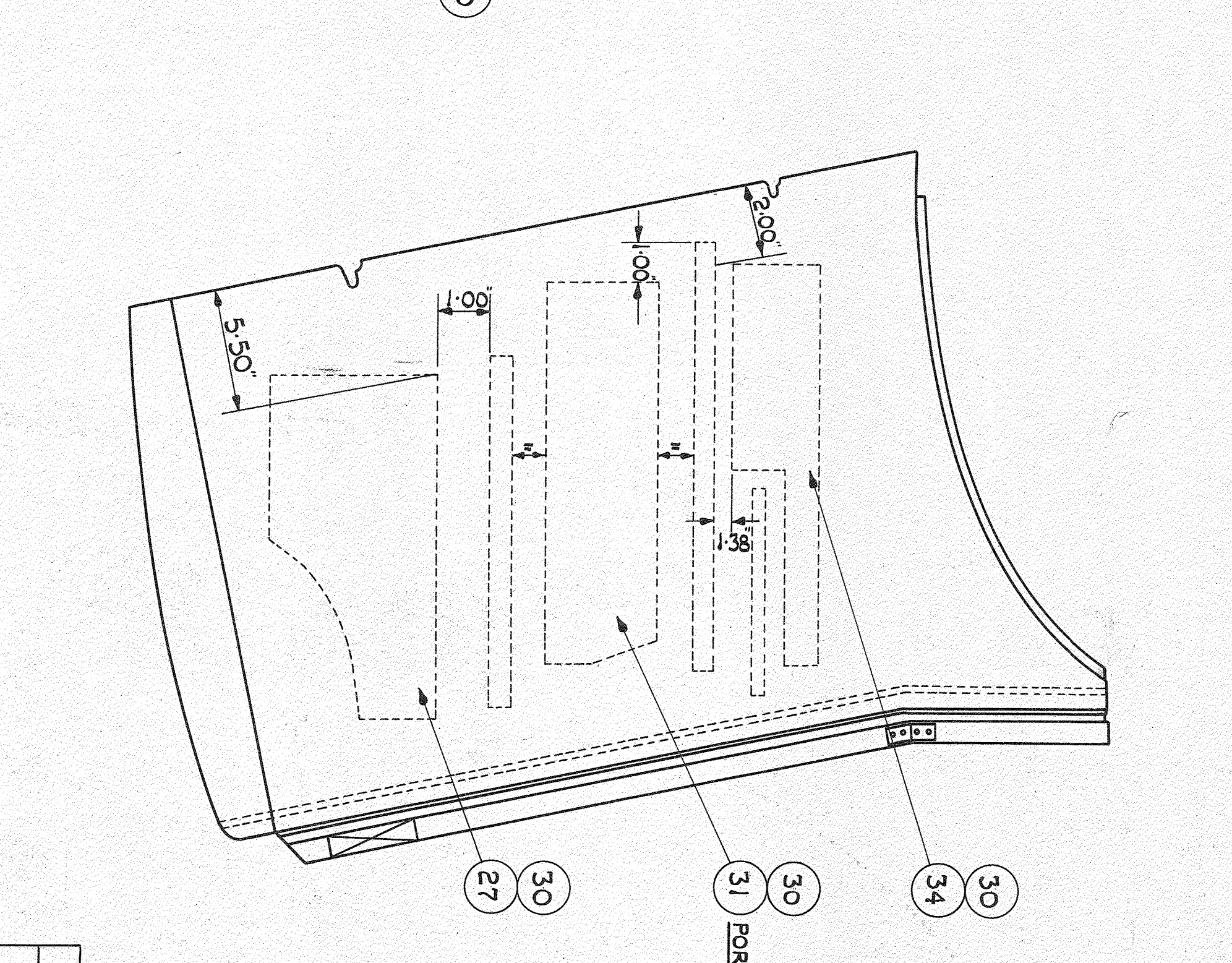
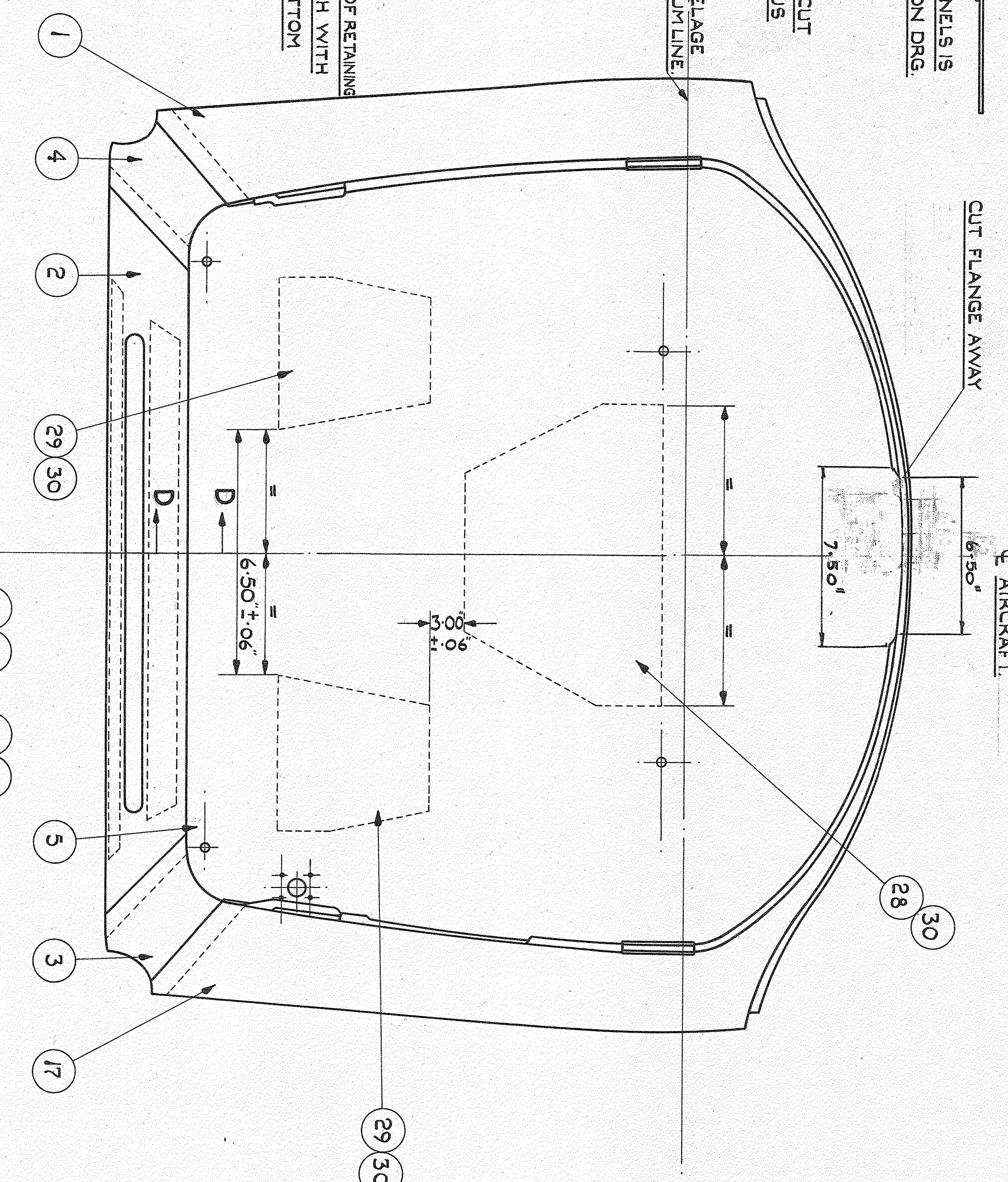
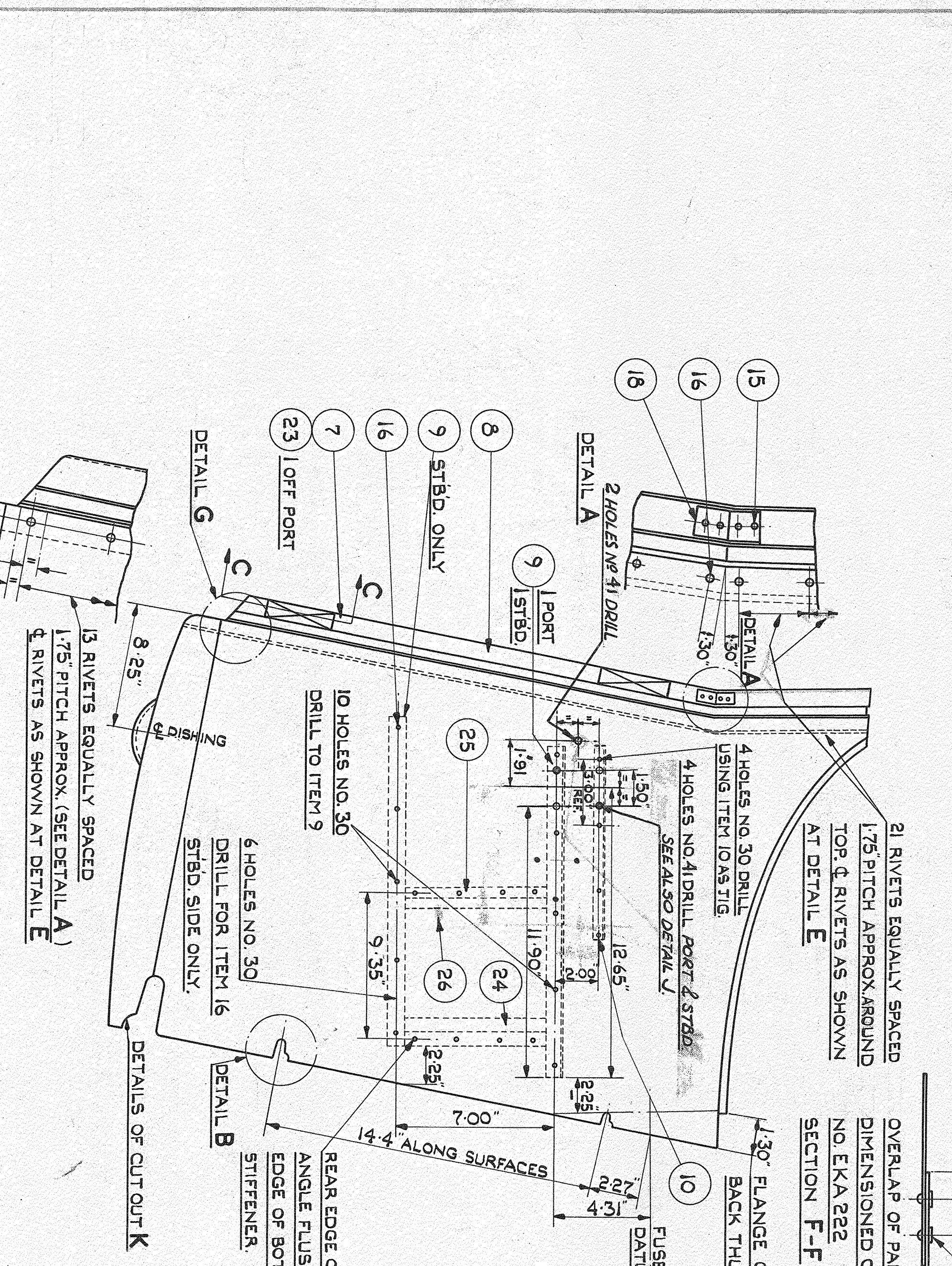
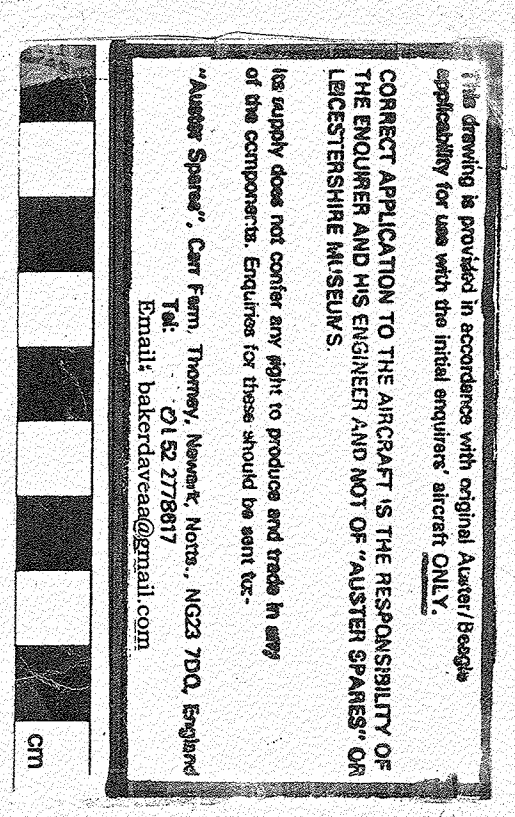
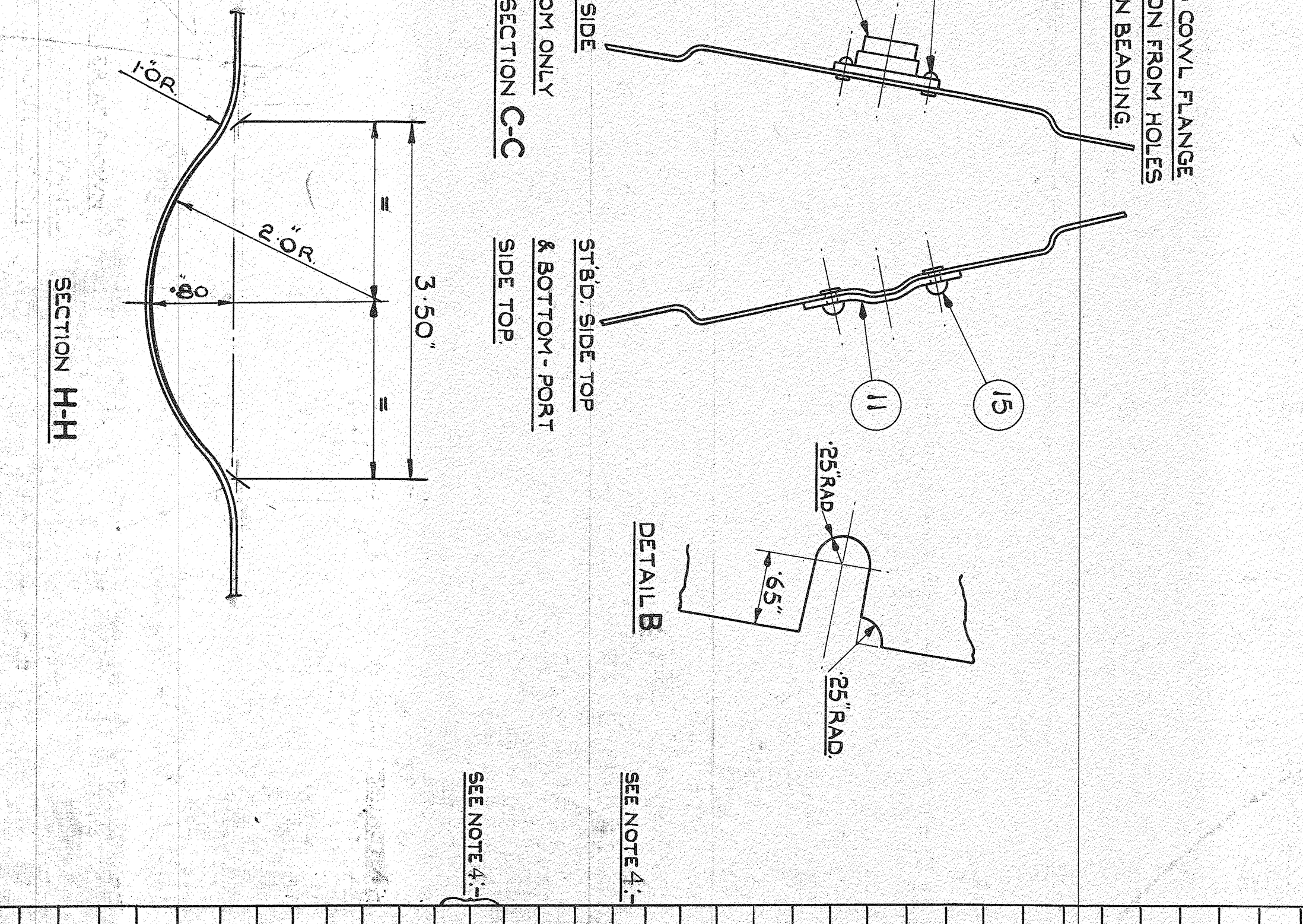
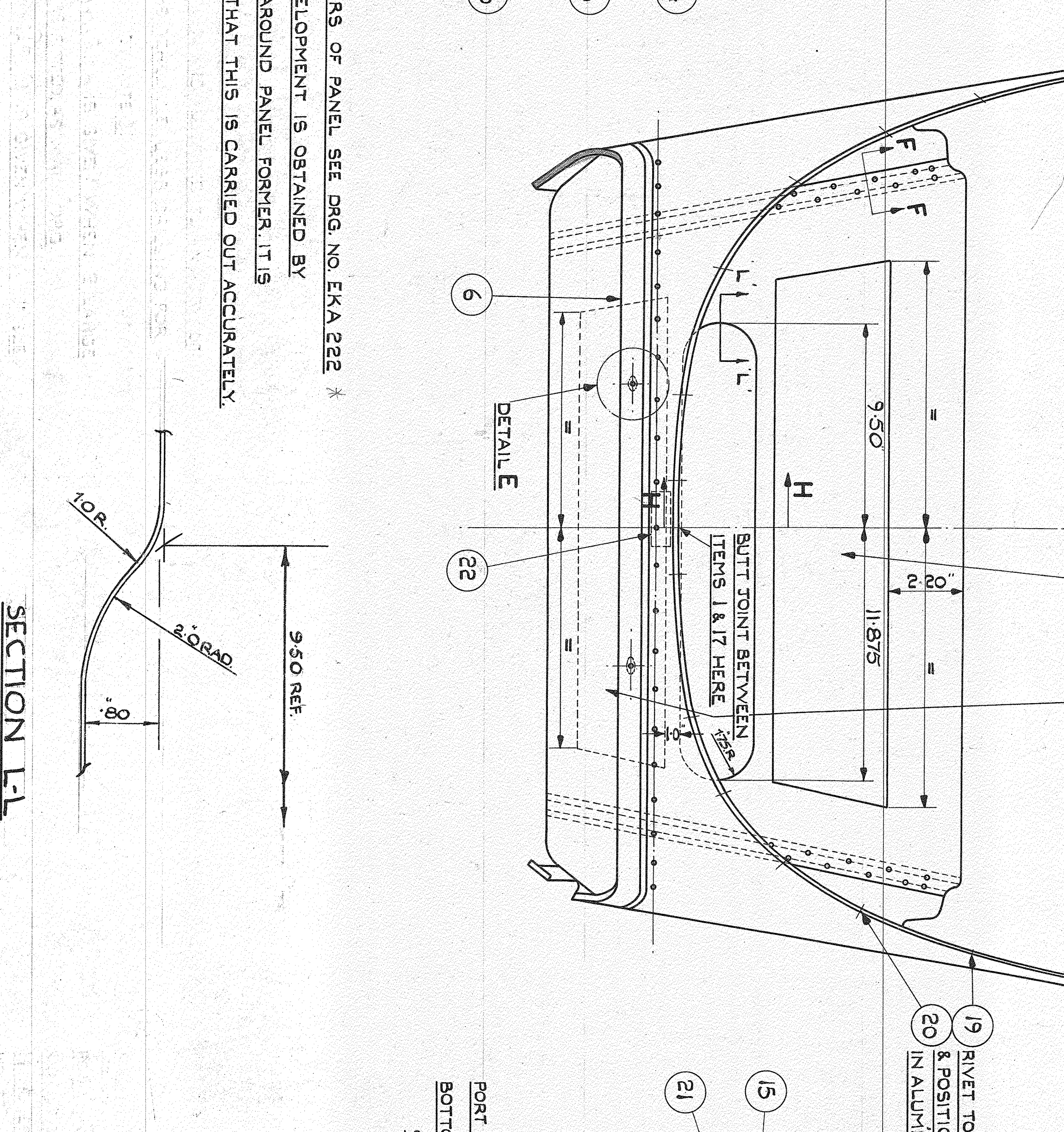
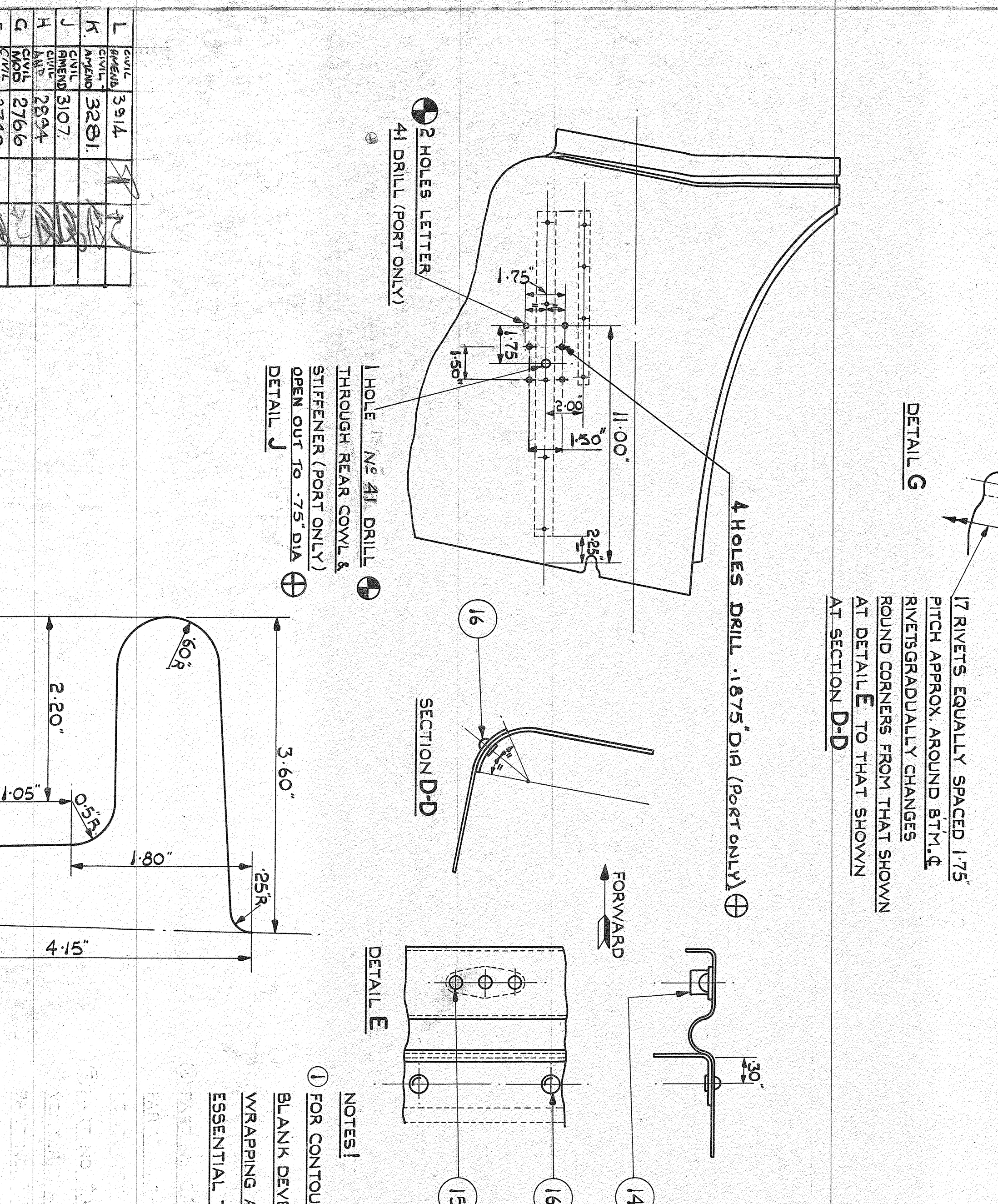


1. TO NOT SCALE DRAWING  
 2. EXCEED PRODUCTION IS  
 3. UNLESS OTHERWISE SPECIFIED  
 4. UNLESS OTHERWISE SPECIFIED  
 5. UNLESS OTHERWISE SPECIFIED  
 6. UNLESS OTHERWISE SPECIFIED  
 7. UNLESS OTHERWISE SPECIFIED  
 8. UNLESS OTHERWISE SPECIFIED  
 9. UNLESS OTHERWISE SPECIFIED  
 10. UNLESS OTHERWISE SPECIFIED  
 11. UNLESS OTHERWISE SPECIFIED  
 12. UNLESS OTHERWISE SPECIFIED  
 13. UNLESS OTHERWISE SPECIFIED  
 14. UNLESS OTHERWISE SPECIFIED  
 15. UNLESS OTHERWISE SPECIFIED  
 16. UNLESS OTHERWISE SPECIFIED  
 17. UNLESS OTHERWISE SPECIFIED  
 18. UNLESS OTHERWISE SPECIFIED  
 19. UNLESS OTHERWISE SPECIFIED  
 20. UNLESS OTHERWISE SPECIFIED  
 21. UNLESS OTHERWISE SPECIFIED  
 22. UNLESS OTHERWISE SPECIFIED  
 23. UNLESS OTHERWISE SPECIFIED  
 24. UNLESS OTHERWISE SPECIFIED  
 25. UNLESS OTHERWISE SPECIFIED  
 26. UNLESS OTHERWISE SPECIFIED  
 27. UNLESS OTHERWISE SPECIFIED  
 28. UNLESS OTHERWISE SPECIFIED  
 29. UNLESS OTHERWISE SPECIFIED  
 30. UNLESS OTHERWISE SPECIFIED  
 31. UNLESS OTHERWISE SPECIFIED  
 32. UNLESS OTHERWISE SPECIFIED  
 33. UNLESS OTHERWISE SPECIFIED  
 34. UNLESS OTHERWISE SPECIFIED  
 35. UNLESS OTHERWISE SPECIFIED

TOOLERANCES ± ON HOLE CENTRES  
 OTHER DIMENSIONS ± .06"



40					
39					
38					
37					
36					
35					
34	SEAPACK TOPSIDE PANEL	AKA 1354	2		
33	SEAPACK BOTTOM PANEL	AKA 1355	1		
32	SEAPACK MIDDLE SIDE PANEL	AKA 1356	1		
31	BOBTIK	CGA 270	1		
30	SEAPACK MIDDLE SIDE PANEL	CGA 270	1		
29	SEAPACK FRONT PANEL	CGA 286	2		
28	FRONT PANEL	CGA 285	1		
27	BOTTOM SIDE PANEL	CGA 294	2		
26	RIBBOND 5/8 X 5/8 X 1/8 THICK		1		
25	RETAINING ANGLE	AKA 393	1		
24	RETAINING ANGLE	AKA 394	1		
23	STIFFENER REAR COWL	AKA 349	1		
22	PLATE 22 S.W.G.	L-16	1		
21	SEMI-TUBULAR RIVET	N/A	1		
20	SEMI-TUBULAR RIVET	N/A	1		
19	SINGLE ANCHOR NUT		1		
18	REINFORCING STIFFENER	AKA 303	2		
17	TOP PANEL PORT 22 S.W.G.	L-16	1		
16	SEMI-TUBULAR RIVET	N/A	1		
15	RIVET	N/A	1		
14	DOUBLE ANCHOR NUT		2		
13					
12					
11	DISHED PLATE	AKF 59	3		
10	STIFFENER	AKA 754	2		
9	STIFFENER	AKA 44	3		
8	STIFFENER	AKA 47	1		
7	STIFFENER	AKA 27	1		
6	STIFFENER TOP	SKA 245	1		
5	FIREWALL	SKA 6/8	1		
4	CORNER SECTION 22 S.W.G.	SKA 27	1		
3	CORNER SECTION 22 S.W.G.	SKA 27	1		
2	BOTTOM PANEL 20 S.W.G.	L-16	1		
1	TOP PANEL STIB 22 S.W.G.	L-16	1		



40					
39					
38					
37					
36					
35					
34	SEAPACK TOPSIDE PANEL	AKA 1354	2		
33	SEAPACK BOTTOM PANEL	AKA 1355	1		
32	SEAPACK MIDDLE SIDE PANEL	AKA 1356	1		
31	BOBTIK	CGA 270	1		
30	SEAPACK MIDDLE SIDE PANEL	CGA 270	1		
29	SEAPACK FRONT PANEL	CGA 286	2		
28	FRONT PANEL	CGA 285	1		
27	BOTTOM SIDE PANEL	CGA 294	2		
26	RIBBOND 5/8 X 5/8 X 1/8 THICK		1		
25	RETAINING ANGLE	AKA 393	1		
24	RETAINING ANGLE	AKA 394	1		
23	STIFFENER REAR COWL	AKA 349	1		
22	PLATE 22 S.W.G.	L-16	1		
21	SEMI-TUBULAR RIVET	N/A	1		
20	SEMI-TUBULAR RIVET	N/A	1		
19	SINGLE ANCHOR NUT		1		
18	REINFORCING STIFFENER	AKA 303	2		
17	TOP PANEL PORT 22 S.W.G.	L-16	1		
16	SEMI-TUBULAR RIVET	N/A	1		
15	RIVET	N/A	1		
14	DOUBLE ANCHOR NUT		2		
13					
12					
11	DISHED PLATE	AKF 59	3		
10	STIFFENER	AKA 754	2		
9	STIFFENER	AKA 44	3		
8	STIFFENER	AKA 47	1		
7	STIFFENER	AKA 27	1		
6	STIFFENER TOP	SKA 245	1		
5	FIREWALL	SKA 6/8	1		
4	CORNER SECTION 22 S.W.G.	SKA 27	1		
3	CORNER SECTION 22 S.W.G.	SKA 27	1		
2	BOTTOM PANEL 20 S.W.G.	L-16	1		
1	TOP PANEL STIB 22 S.W.G.	L-16	1		

L	3.914				
K	3.281				
J	3.107				
H	2.794				
G	2.766				
F	2.748				
E	2.503				
D	2.443				
C	2.300				
B	2.148				
A					

TYPE: AUSTER  
 KACDPEBHTAKMN

ITEM 15 NO. 41 DRILL  
 ITEM 16 NO. 30 DRILL  
 ITEM 20 NO. 41 DRILL

NOTE:  
 HOLES MARKED THUS FOR VENTURI 6A/370  
 HOLES MARKED THUS FOR VENTURI JA 7022223

SECTION L-L  
 SECTION H-H  
 SECTION C-C  
 SECTION D-D  
 SECTION E-E  
 SECTION F-F  
 SECTION G-G  
 SECTION H-H  
 SECTION I-I  
 SECTION J-J  
 SECTION K-K

DRILLING FOR RIVETS  
 BLANK DEVELOPMENT

PROTECTIVE TREATMENT: New Nil  
 SCALE: 1/16 & 1/4  
 TITLE: REAR COWL ASSEMBLY & SEAPACK PANELS  
 DRAWING: JA1309