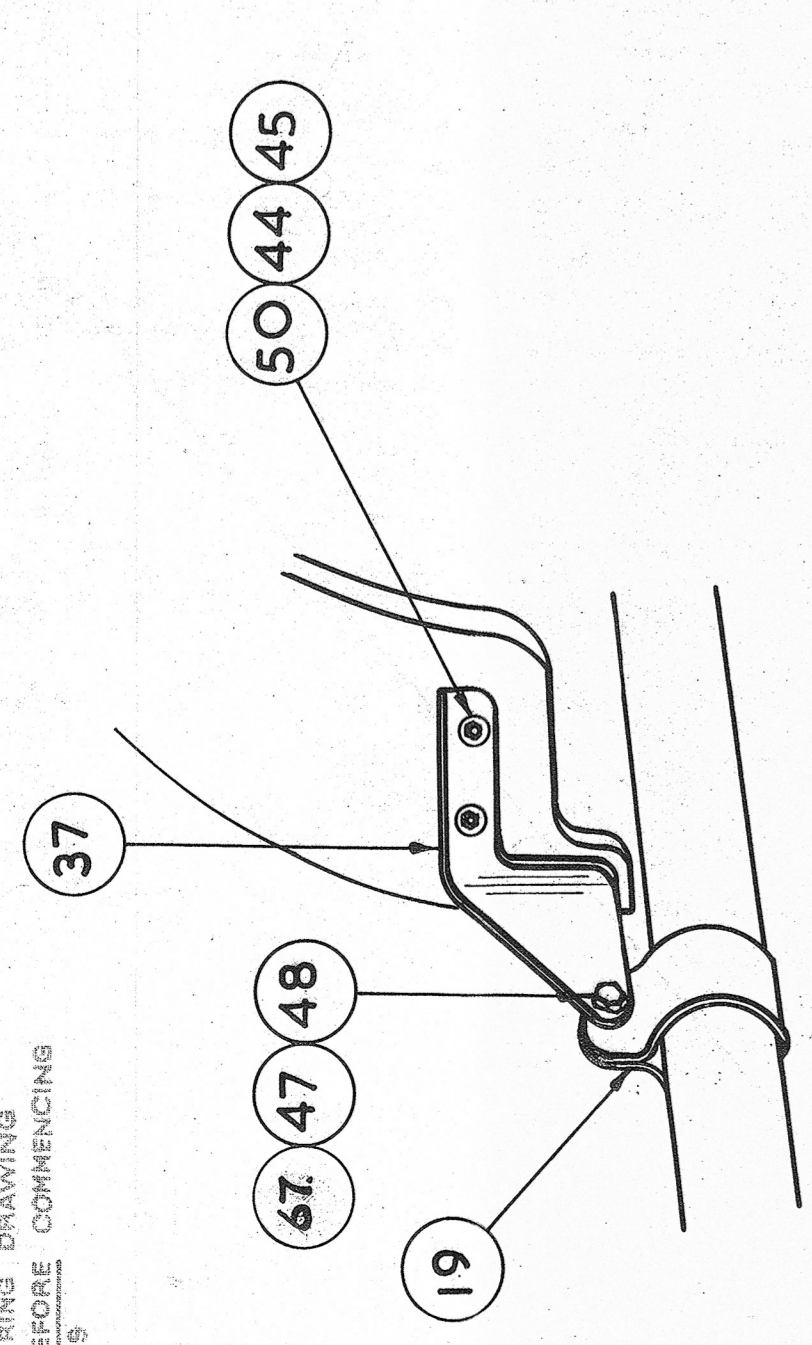
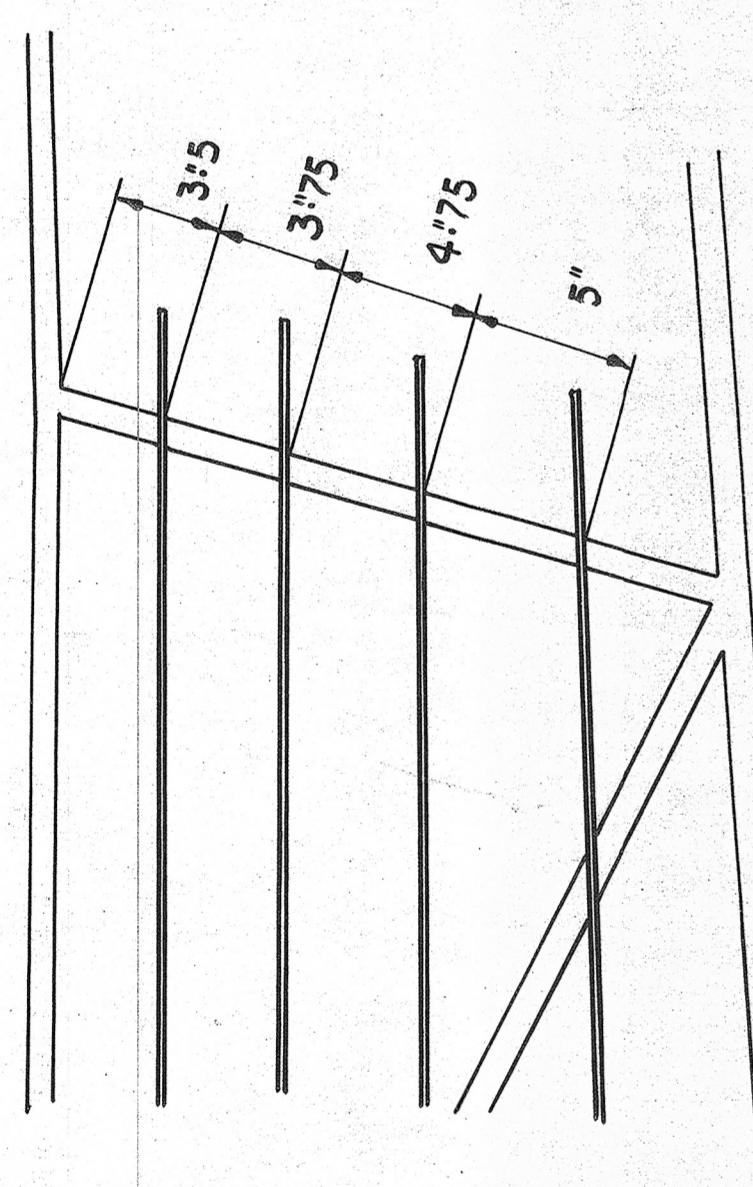


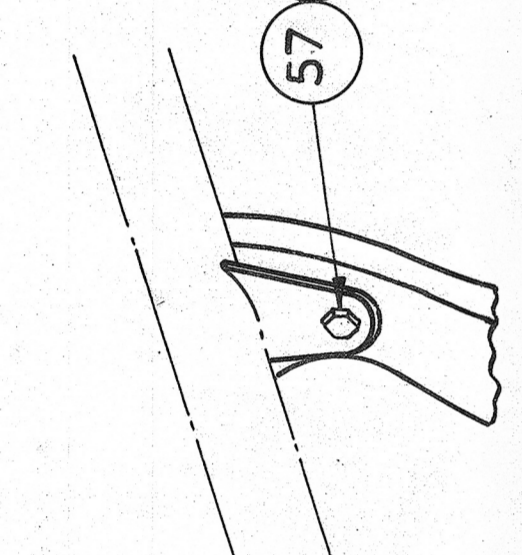
1. DO NOT SCALE DRAWING
2. UNLESS OTHERWISE STATED, DIMENSIONS ARE IN INCHES
3. DIMENSIONS ARE TO CENTER UNLESS OTHERWISE STATED
4. IN CASE OF DISCREPANCY BETWEEN DIMENSIONS AND DRAWING, DIMENSIONS SHALL PREVAIL
5. DRAWING, RING DRAWING OFFICE BEFORE COMMENCING OPERATIONS



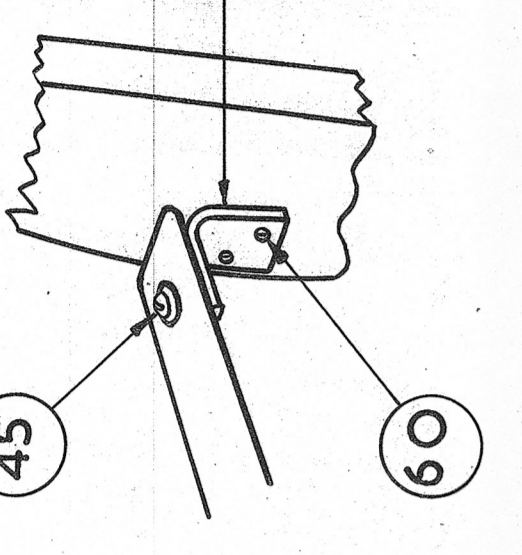
DETAIL B
VIEWED FROM REAR
PORT SIDE ONLY



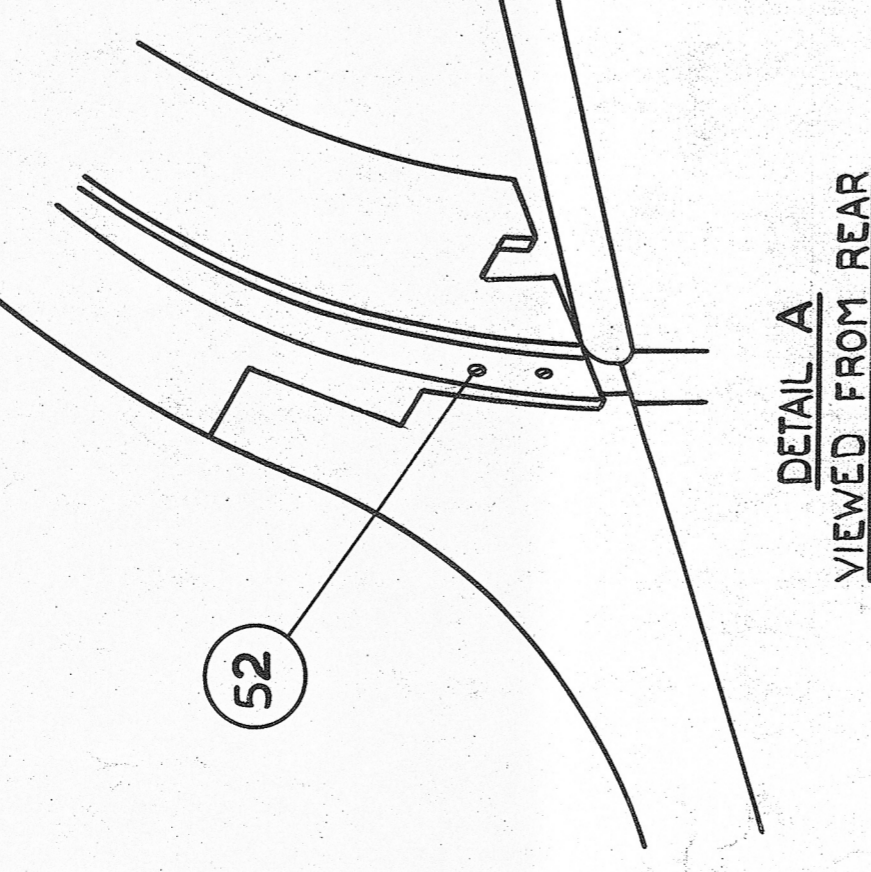
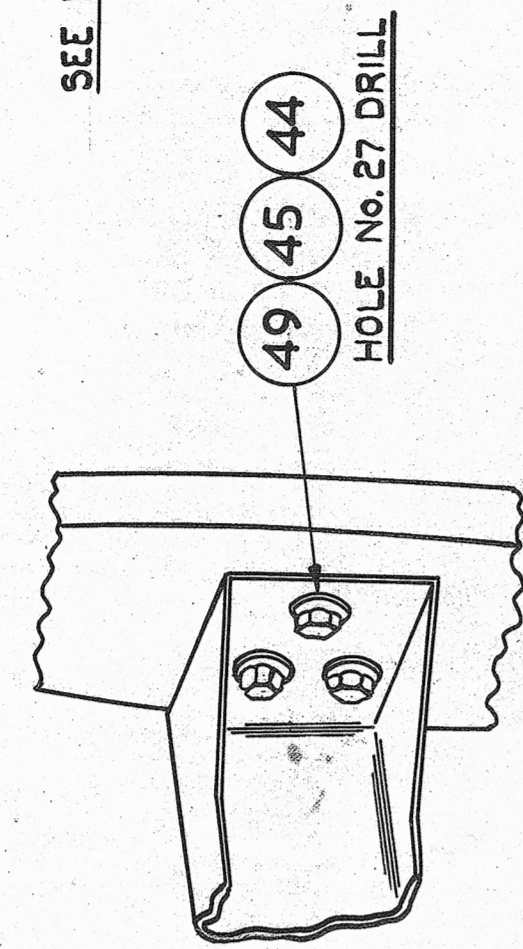
DETAIL C
SHOWING SPACING OF STRINGERS
AT AFT END OF FUSELAGE



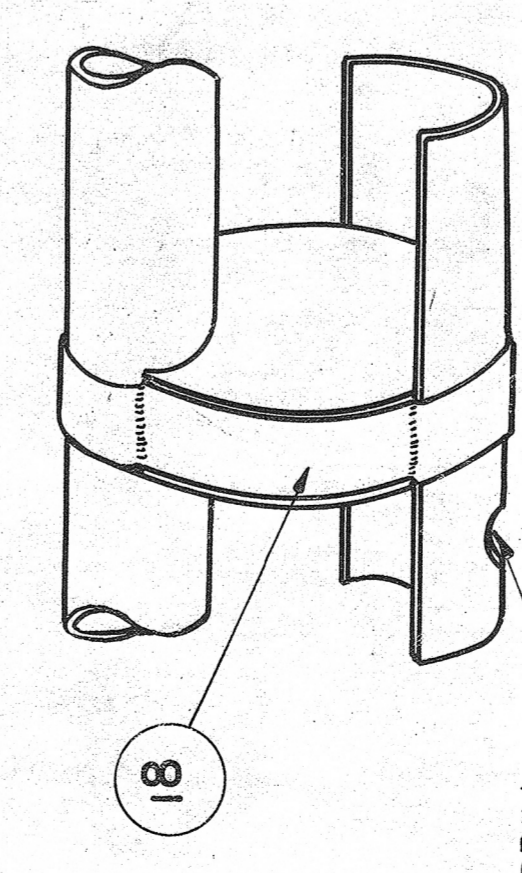
DETAIL H



DETAIL G

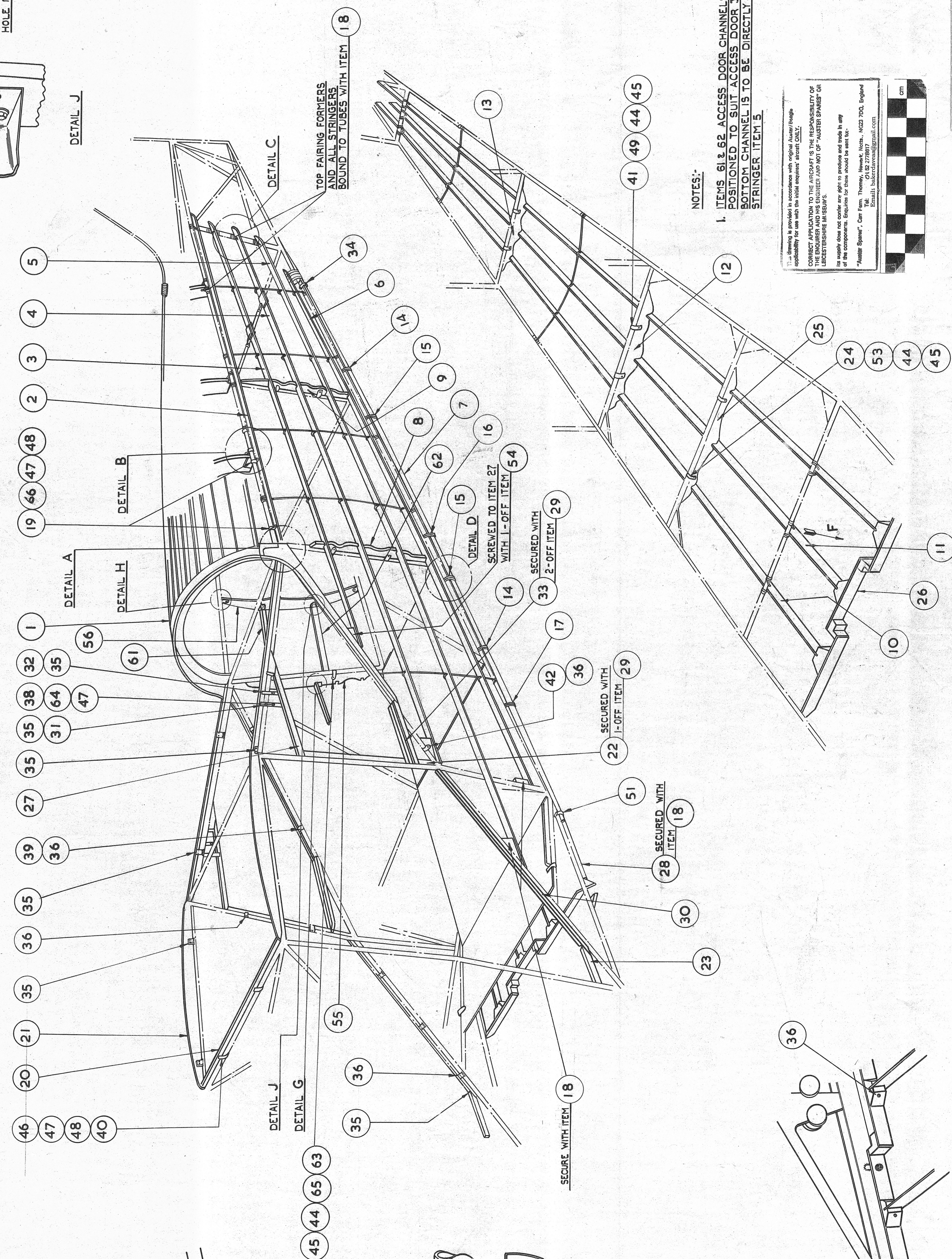


DETAIL A
VIEWED FROM REAR



TYPICAL DETAIL D

LETTER E DRILL
DRAINAGE HOLE
POSITIONED FORWARD
OF EACH BLOCK AND
ONE AFT OF ITEM 17



1. ITEMS 61 & 62 ACCESS DOOR CHANNELS SHOULD BE POSITIONED TO SUIT ACCESS DOOR JA 15030-CA1662 BOTTOM CHANNEL IS TO BE DIRECTLY ABOVE STRINGER ITEM 5.

This drawing is provided in accordance with the terms of the license agreement for use with the initial engineering effort only. CORRECT APPLICATION TO THE AIRCRAFT IS THE RESPONSIBILITY OF THE ENGINEER AND THE DESIGNER AND NOT OF "AUSTER SPANER" OR "AUSTER AIRCRAFT". "Auster Spaner" does not warrant or guarantee the accuracy of the drawings. Copyright © 2007 by Auster Aircraft Ltd. Email: info@asteraircraft.com

ITEM NO.	DESCRIPTION	QUANTITY	UNIT	REMARKS
67	A25-14 BOLT	1		
66	A26-22 BOLT	4		
65	A29-78 BOLT	4		
64	A28-20 NUT	4		
63	A4824 CLIP	4		ATA 1525
62	A4816 BOTTOM CHANNEL	1		ATA 1519
61	A4814 TOP CHANNEL	1		ATA 1518
60	A34-19 WOODSCREW	8		
59	A4823 ANGLE BRACKET	2		ATA 1524
58	A4821 ANGLE BRACKET	2		ATA 1522
57	A25-5C BOLT	2		
56	A5032 FORMER	1		ATA 1544
55	A5031 FORMER	1		ATA 1543
54	A2624 WOODSCREW	2		
53	A2618 BOLT	2		
52	A2622 WOODSCREW	4		
51	A2621 JUBILEE CLIP	2		
50	A2628 BOLT	6		
49	A2615 BOLT	20		
48	A2614 NUT	7		
47	A2613 WASHER	13		
46	A2612 BOLT	2		
45	A2611 NUT	36		
44	A2610 WASHER	40		
43	A2609 SCREW	4		
42	A2608 CLIP	2		ATA 884
41	A2607 CLIP	8		A2609
40	A2606 CLIP	2		ATA 200
39	A2605 CLIP	4		ATA 341
38	A2604 FASTENER PEG	4		
37	A2603 ANGLE BRACKET	1		ATA 1002
36	A2602 WOODSCREW RD. HD.	AS REQ'D.		
35	A2601 WOODSCREW CSK. RD.	AS REQ'D.		
34	A2600 JUBILEE CLIP	2		
33	A2599 UPHOLSTERY FAIRING	AGA 274		
32	A2598 ROOT END FAIRING CLIP	ATA 1001		
31	A2597 ROOT END FAIRING CLIP	ATA 1000		
30	A2596 DOOR SIDE FAIRING	ATA 766 1/2		
29	A2595 WOODSCREW	6		
28	A2594 U/C CLEVIS FAIRING	AGA 302		
27	A2593 SIDE WINDOW FRAME	ATA 998		
26	A2592 FAIRING ASSY.	ATA 1003		
25	A2591 FORMER	ATA 1704		
24	A2590 CLIP	ATA 1525		
23	A2589 BOTTOM DOOR FAIRING	ATA 110		
22	A2588 SIDE WINDOW FAIRING	ATA 275		
21	A2587 TOP SIDE RAIL	ATA 997		
20	A2586 FRONT TOP RAIL	ATA 197		
19	A2585 CLIP	AKG 235		
18	A2584 EGYPTIAN TAPE	AS REQ'D.		
17	A2583 BLOCK	ATA 1165		
16	A2582 BLOCK	ATA 1165		
15	A2581 BLOCK	ATA 1165		
14	A2580 BLOCK	ATA 1165		
13	A2579 FORMER	ATA 987		
12	A2578 FORMER	ATA 966		
11	A2577 STRINGER	ATA 964		
10	A2576 STRINGER	ATA 965		
9	A2575 FORMER	ATA 957		
8	A2574 FORMER	ATA 956		
7	A2573 CHANNEL	ATA 1008		
6	A2572 STRINGER	ATA 951		
5	A2571 STRINGER	ATA 952		
4	A2570 STRINGER	ATA 953		
3	A2569 STRINGER	ATA 954		
2	A2568 STRINGER	ATA 955		
1	A2567 TOP FAIRING ASSY.	ATA 1004		

PROTECTIVE TREATMENT	SCALE: N.T.S.	REARSDY: LEICESTER.	APPROVAL
AUSTER AIRCRAFT LTD	W.J.K./K.H.	REARSDY: LEICESTER.	APPROVAL
TITLE: ASSY. OF WOODWORK TO FUSELAGE	DATE: 13/11/05	REVISED BY: N/A	APPROVAL
DESIGNED BY: N/A	DATE: 13/11/05	REVISED BY: N/A	APPROVAL
CHECKED BY: N/A	DATE: 13/11/05	REVISED BY: N/A	APPROVAL
DRAWN BY: N/A	DATE: 13/11/05	REVISED BY: N/A	APPROVAL
ISSUED BY: N/A	DATE: 13/11/05	REVISED BY: N/A	APPROVAL
APPROVED BY: N/A	DATE: 13/11/05	REVISED BY: N/A	APPROVAL
DATE: 13/11/05	DATE: 13/11/05	DATE: 13/11/05	DATE: 13/11/05

13/11/05 WJG/KLF/RFST