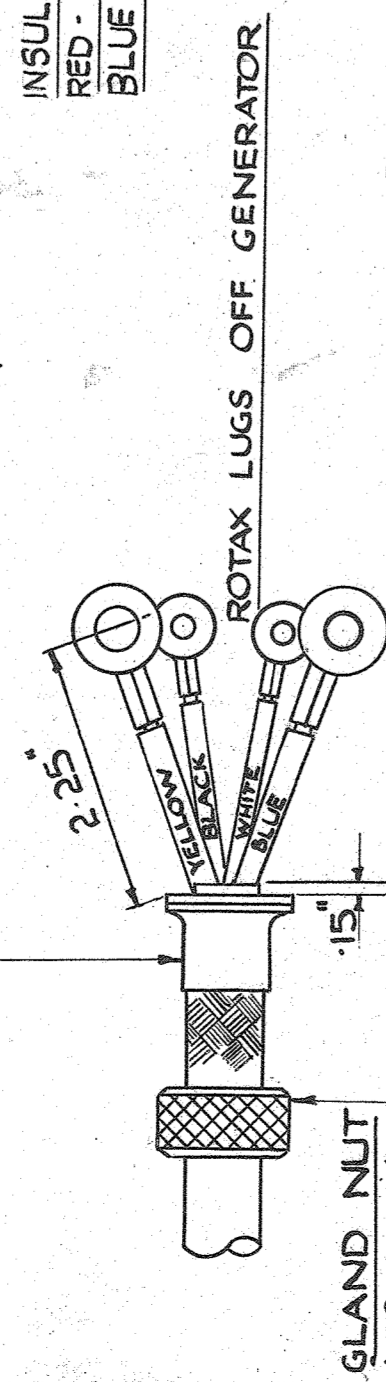


ROTAX LUG OFF REGULATOR

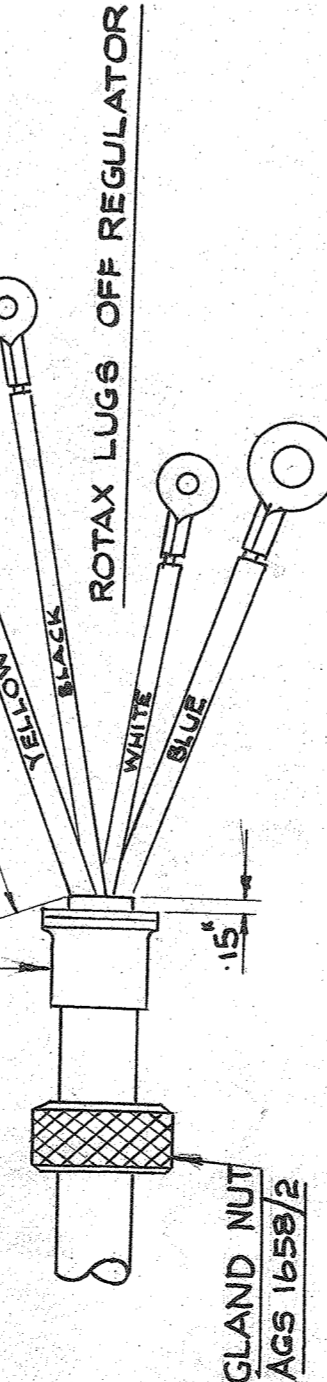
AC TYPICAL END FOR UNIPREN 35 AT VOLTAGE REGULATOR - POSITIVE

SLEEVE INNER AGS 1653/4
SLEEVE OUTER AGS 1654/4

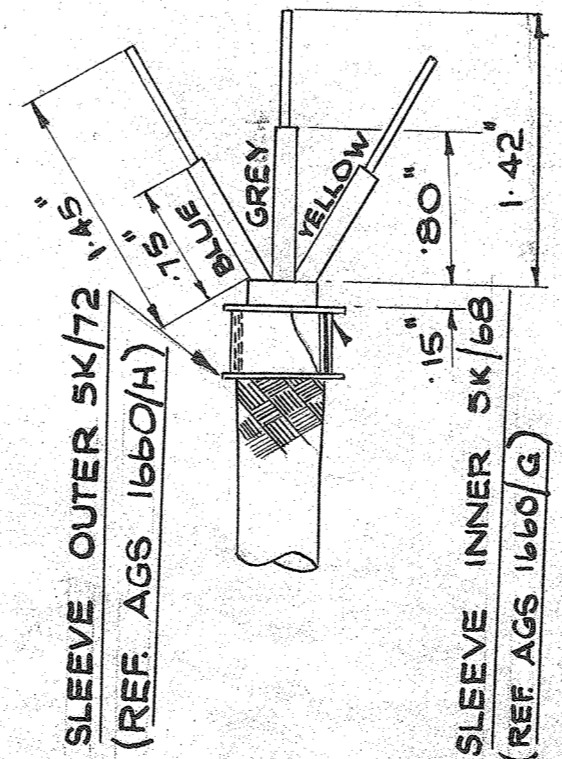


AB TYPICAL END FOR QUADRAGENMET N°1 AT ENGINE DRIVEN GENERATOR - B1802

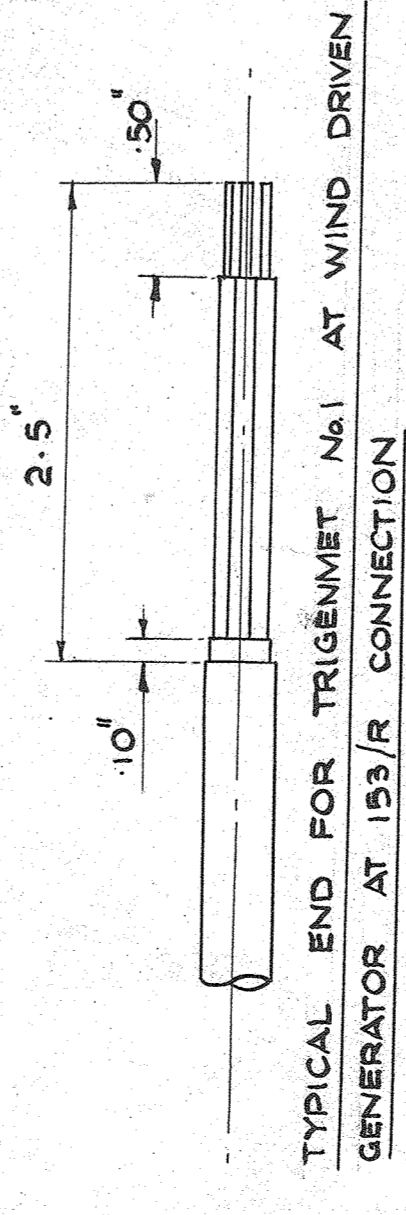
LENGTH L
YELLOW - 3.25
BLACK - 4.75
WHITE - 2.75
BLUE - 3.75



AA TYPICAL END FOR TRIGENMET N°1 AT VOLTAGE REGULATOR - POSITIVE

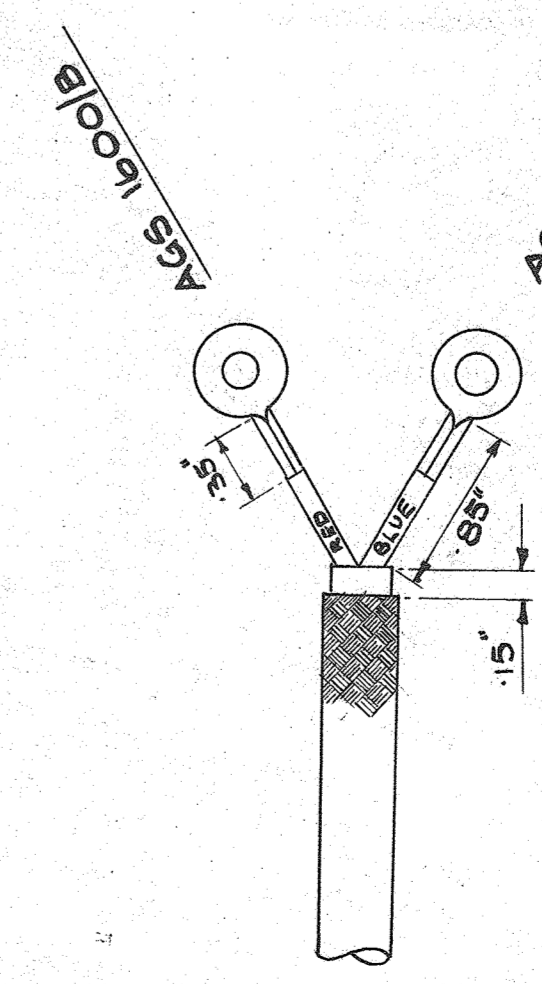


Z TYPICAL END FOR TRIGENMET N°1 AT TERMINAL BOX CONNECTION (5C1933)



X

TYPICAL END FOR TRIGENMET N°1 AT WIND DRIVEN GENERATOR AT 153/R CONNECTION

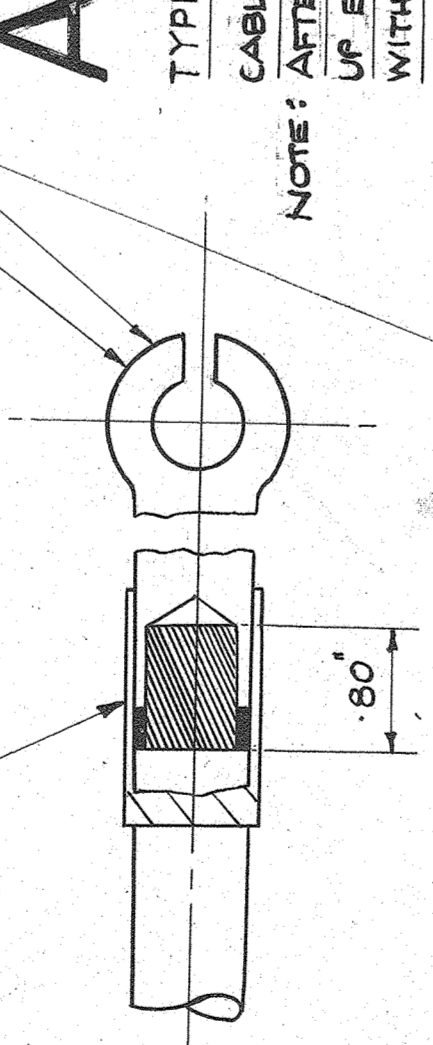


W CUT-OUT & VOLTAGE REGULATOR

This drawing is provided to the customer as a guide only. It is not intended to be used as a basis for manufacturing. The customer is responsible for the correct application of the product. The customer is responsible for the correct application of the product. The customer is responsible for the correct application of the product.

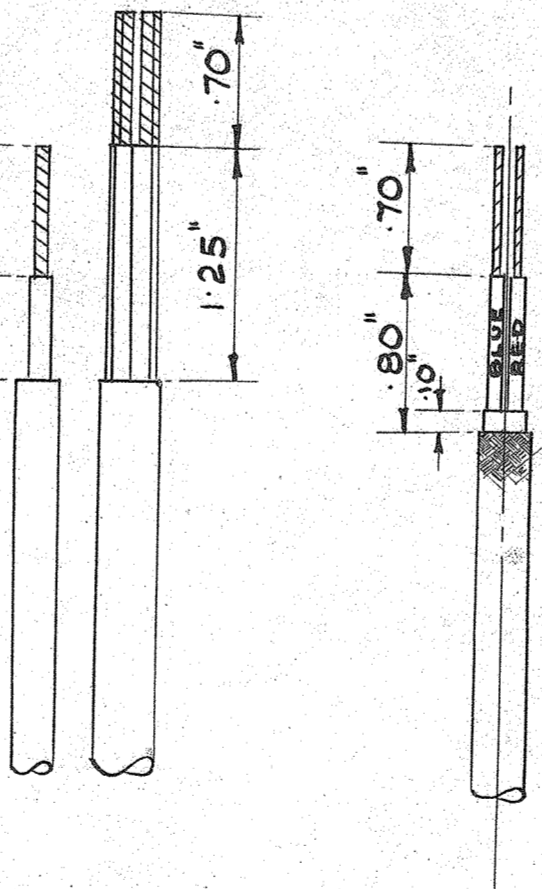
AGS 1600/B

A CABLE LUG (POSITIVE) REF N° 51/2327
CABLE LUG (NEGATIVE) REF N° 51/2328
THESE TWO LUGS TO BE SET AT ANGLE TO CLEAR BATTERY FIXING BRACKET



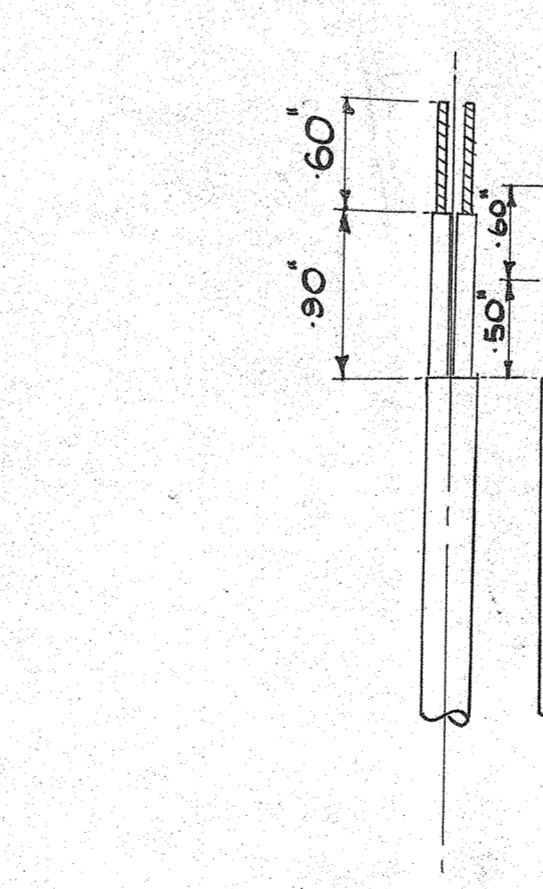
B

TYPICAL END FOR 19 AMP CABLE AT TERMINAL BLOCK CONNECTION (5C1430 & 5C1432)



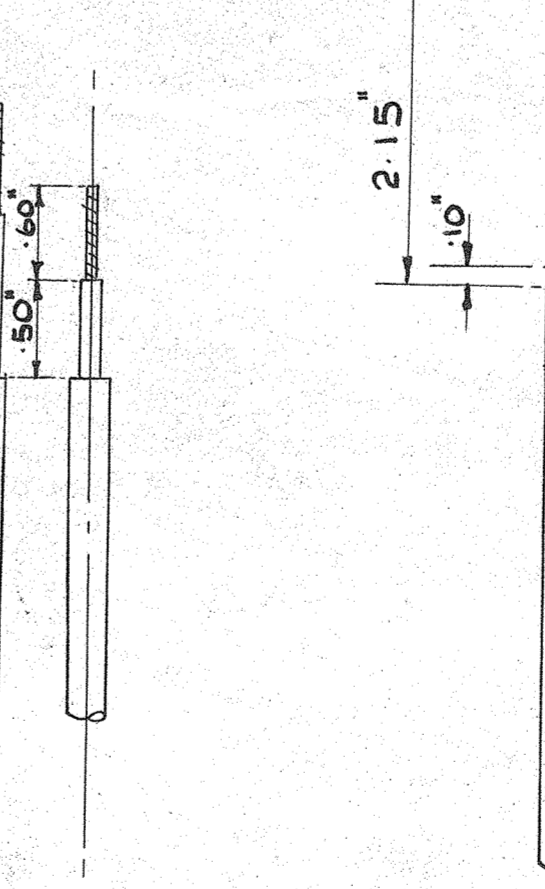
C

TYPICAL END FOR 7 AMP CABLE AT TERMINAL BLOCK CONNECTION



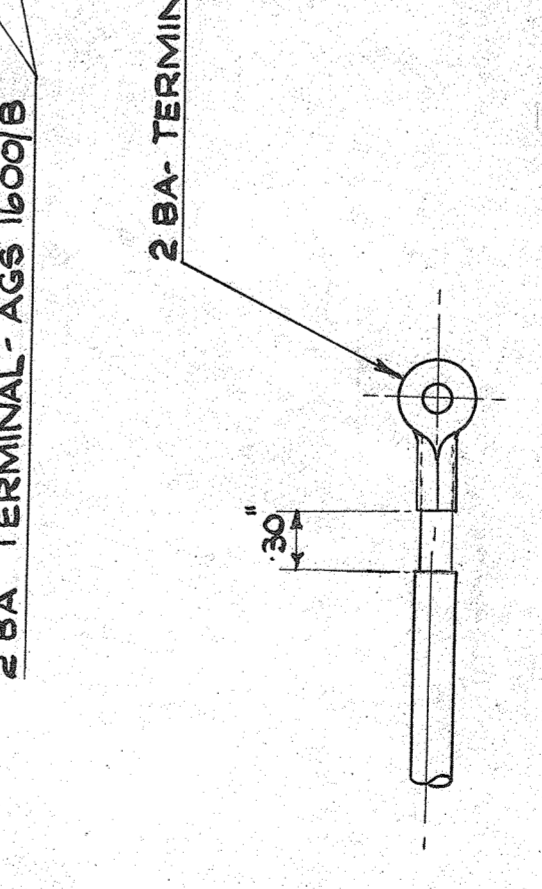
D

TYPICAL END FOR 4 AMP CABLE AT TERMINAL BLOCK CONNECTION



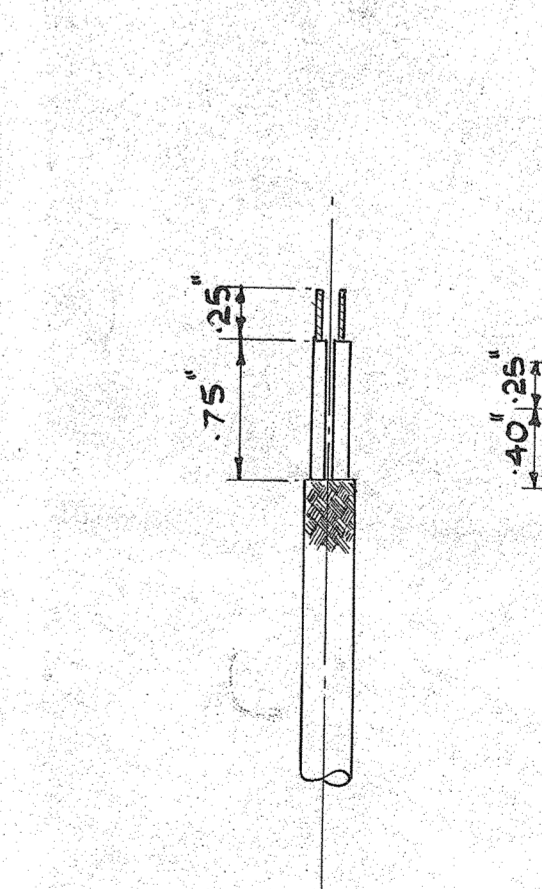
E

TYPICAL END FOR 19 & 7 AMP CABLE AT WIND DRIVEN GENERATOR CONNECTION



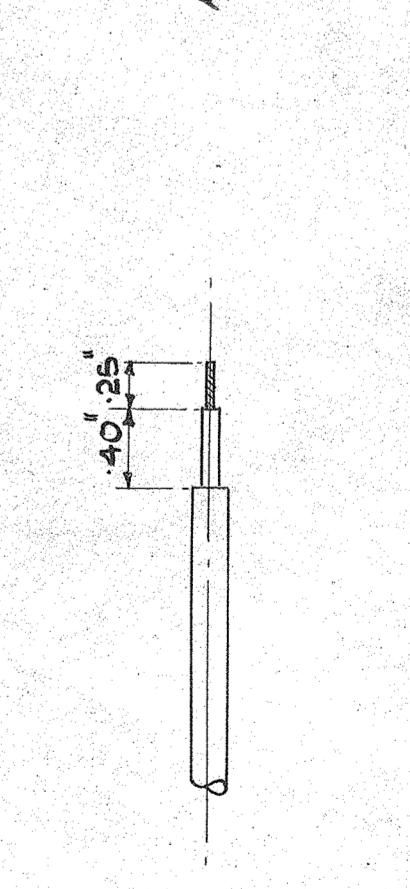
F

TYPICAL END FOR 19 AMP CABLE (CUT-OUT & VOLTAGE REGULATOR CONNECTION FOR 72 A/C) GENERATOR CUT-OUT & EARTH CONNECTIONS



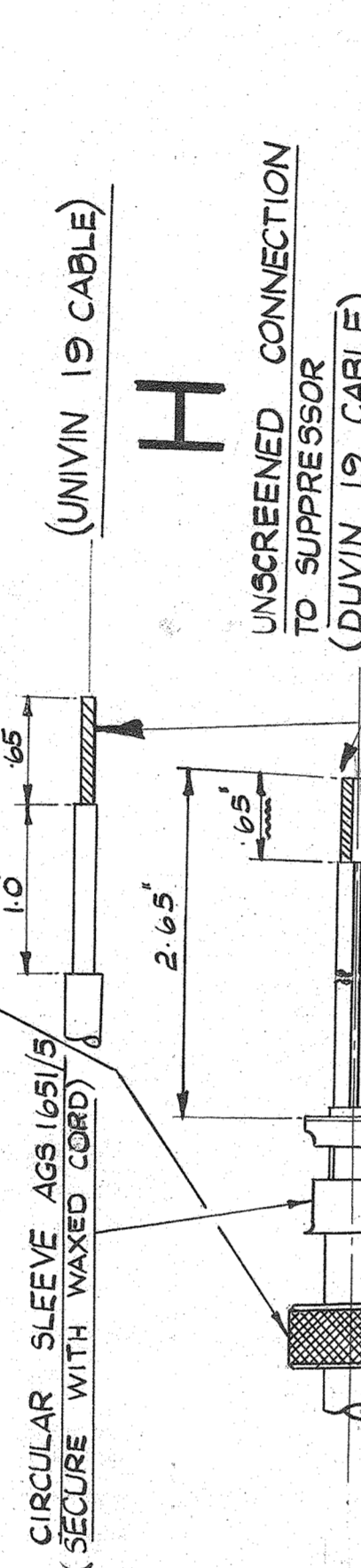
G

TYPICAL END FOR 4 AMP CABLE AT PLUG (5C1455) CONNECTION



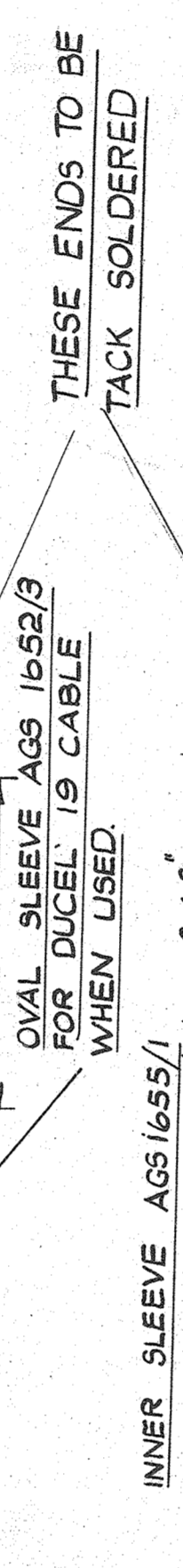
AT SOCKET (5C1457)

GLAND NUT AGS 1658/1
REF N° 51/288



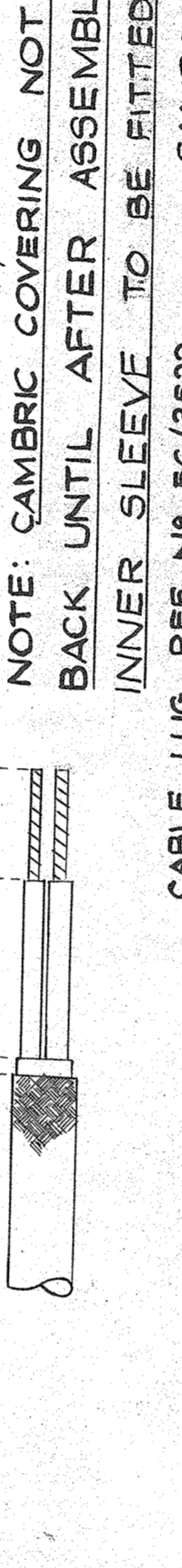
H

UNSCREENED CONNECTION TO SUPPRESSOR (DUVIN 19 CABLE)



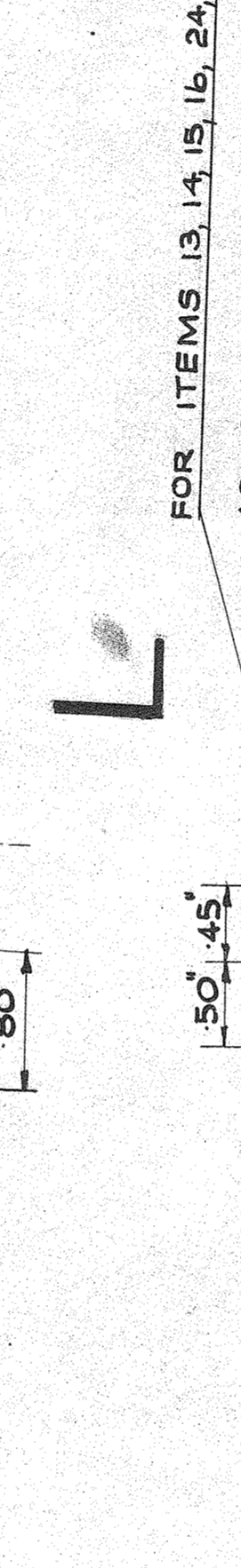
J

SCREENED CONNECTION TO SUPPRESSOR & CUT-OUT (DUMET 19 CABLE)



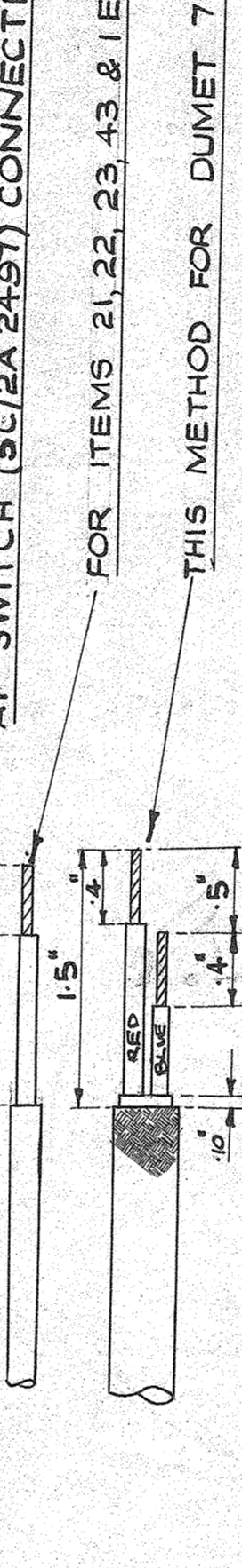
K

CONNECTION AT STARTER MOTOR UNIVIN 64 CABLE SEE NOTE AT 'A'



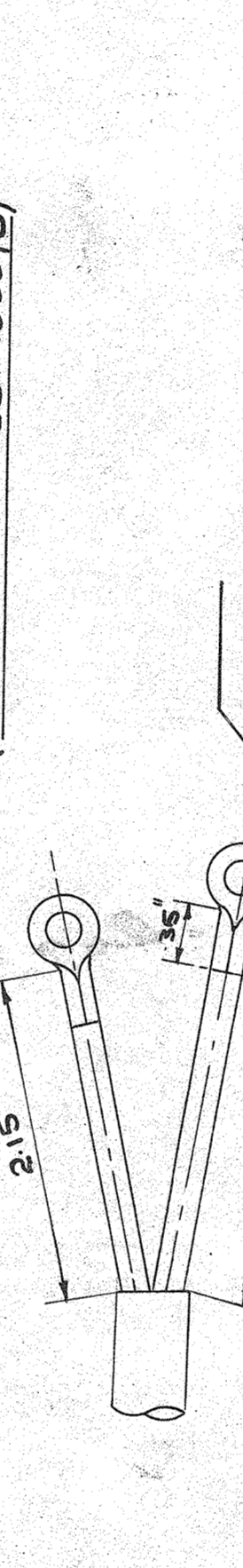
L

FOR ITEMS 13, 14, 15, 16, 24, 25, 43, 48, 63 AND OTHER END 38 TYPICAL END FOR 4 & 7 AMP CABLE AT SWITCH (5C18A2497) CONNECTION



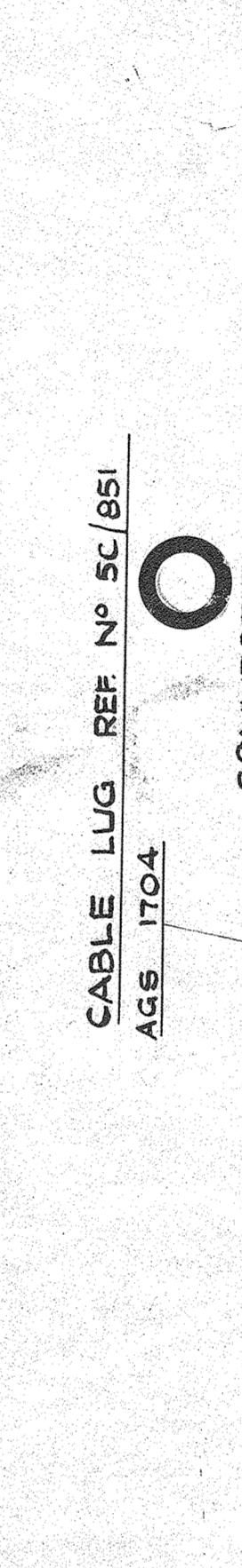
M

TYPICAL END FOR 19 AMP CABLE AT HARLEY LAMP SWITCH CONNECTION (TERMINALS AGS 1600/B)



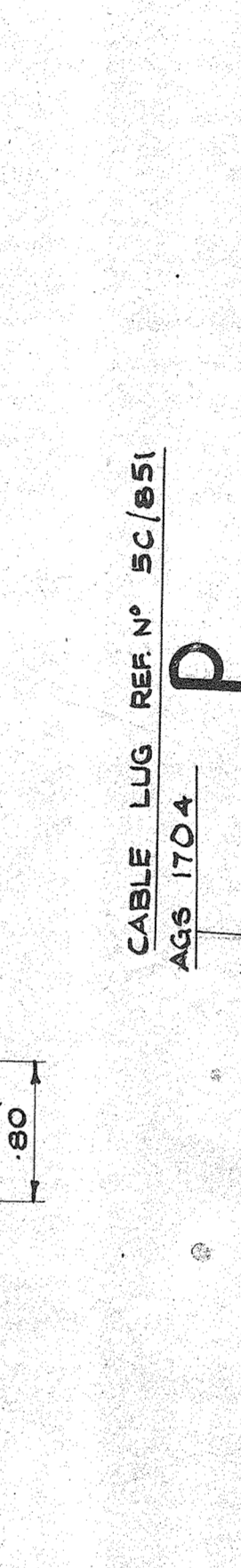
N

TYPICAL END FOR 7 AMP CABLE AT STARTER PUSH (5C1899) CONNECTION



O

CONNECTION AT MAGNETIC RELAY SWITCH (UNIVIN 64 CABLE. SEE NOTE AT 'A')

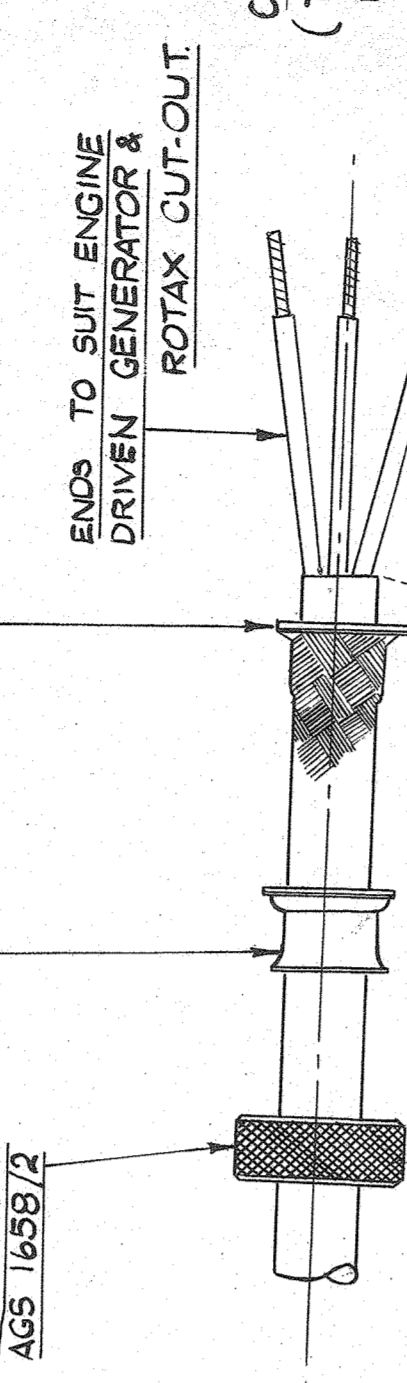


P

CONNECTION AT MASTER SWITCH (UNIVIN 64 CABLE. SEE NOTE AT 'A')

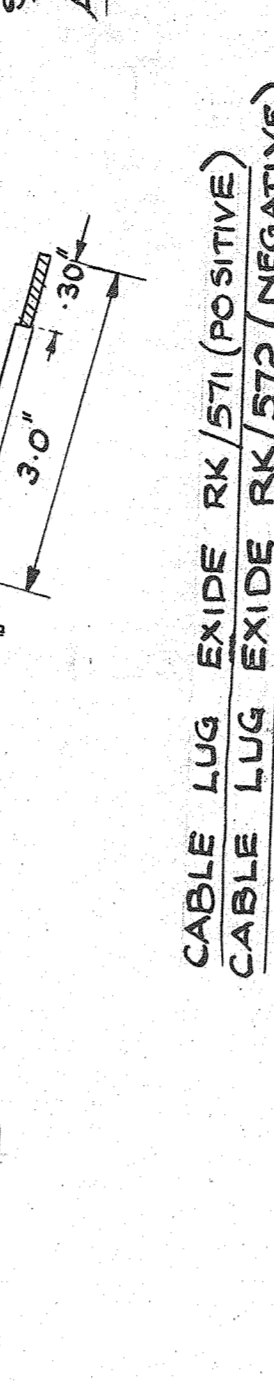


OUTER SLEEVE AGS 1654/3
INNER SLEEVE AGS 1659/3



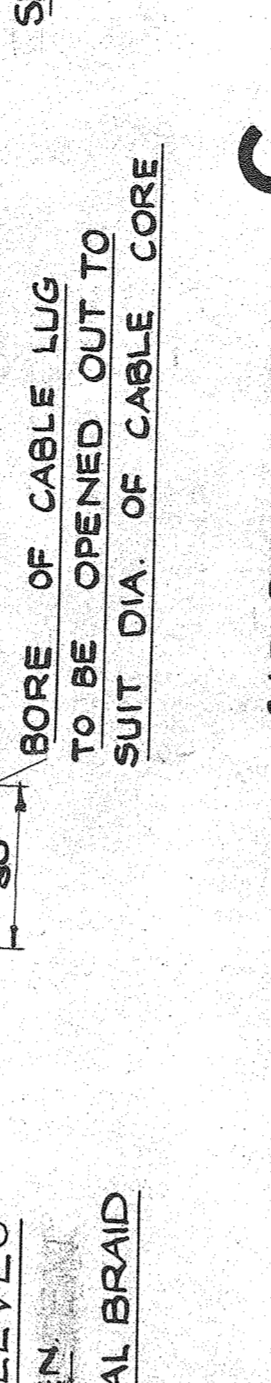
Q

CONNECTION OF CABLE (TRIGENMET N°1) TO ENGINE DRIVEN GENERATOR SEE NOTE AT 'J' SUBSTITUTE AGS 1659/3 & 1654/3



R

UNIVIN 64 BATTERY CABLE CONNECTION JS/B ONLY SEE NOTE AT 'A'



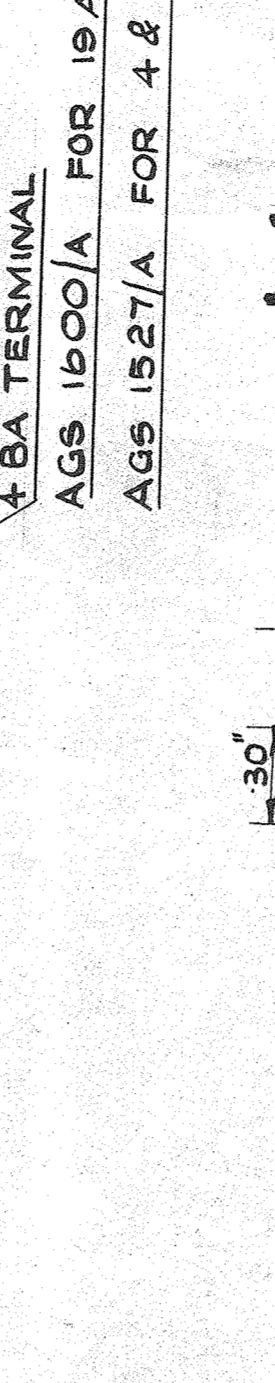
S

BATTERY TO EARTH UNIVIN 64 CABLE SEE NOTE AT 'A'



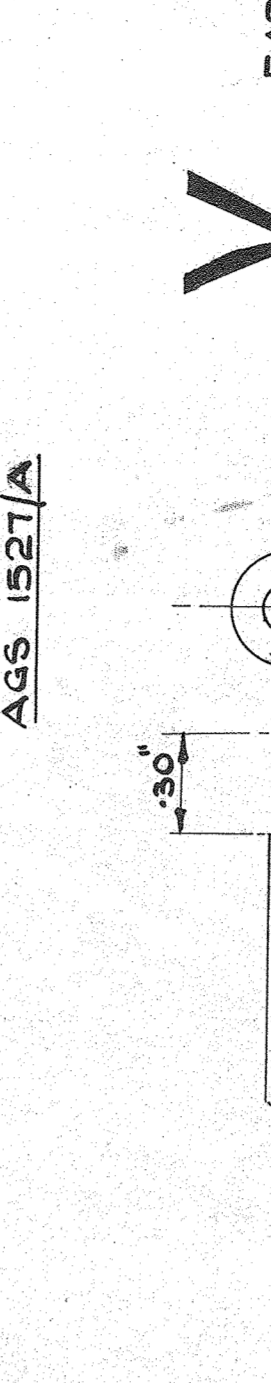
T

TYPICAL CONNECTION FOR FUSE CUT-OUT & EARTH



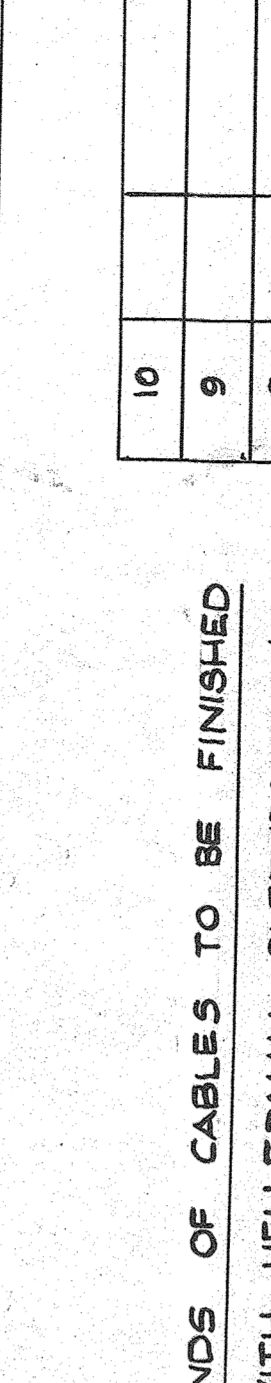
U

CONNECTION AT RELAY SWITCH



V

EARTH CONNECTION AGS 1600/C FOR 19 AMP CABLE AGS 1527/C FOR 4 & 7 AMP CABLE



ENDS OF CABLES TO BE FINISHED WITH HELLERMAN SLEEVES AND/OR IDENT. SLEEVES AS NECESSARY

Table with columns: PROTECTIVE TREATMENT, ABY, REF, SCALE, 1/4, MATERIAL, PART, DESCRIPTION, TRACED BY, APPROVAL, DATE, DRAWN BY, CHECKED BY, TRACING CHECKED BY, MATERIAL ON DRAWING, PART NO, OFFICE, CITY, TITLE, PREPARATION OF CABLE ENDS, DRS N° EJ 87 819