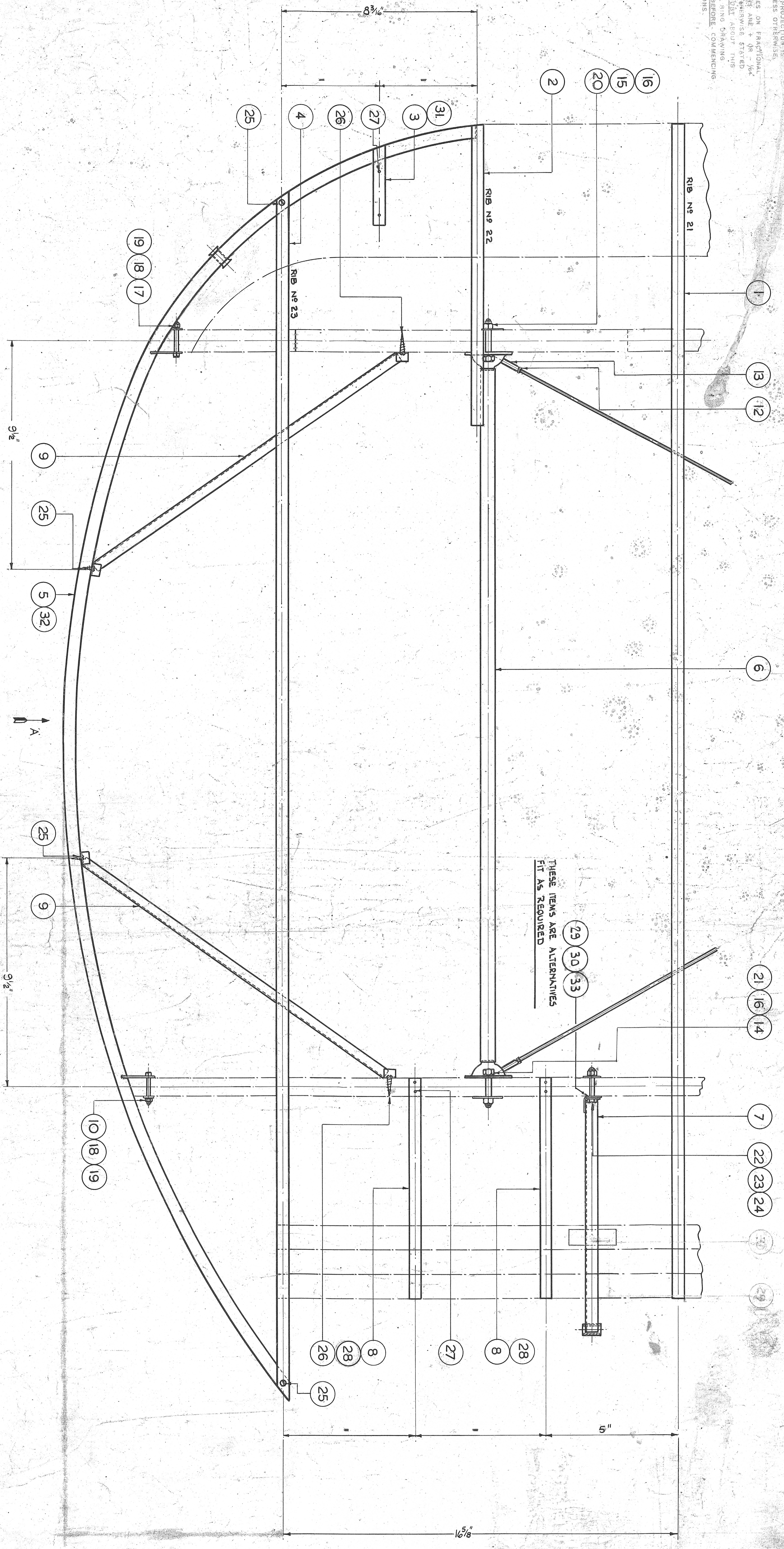
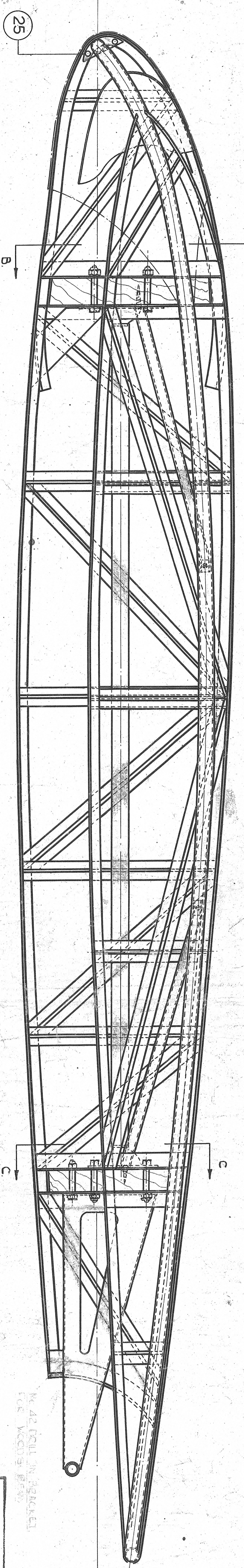


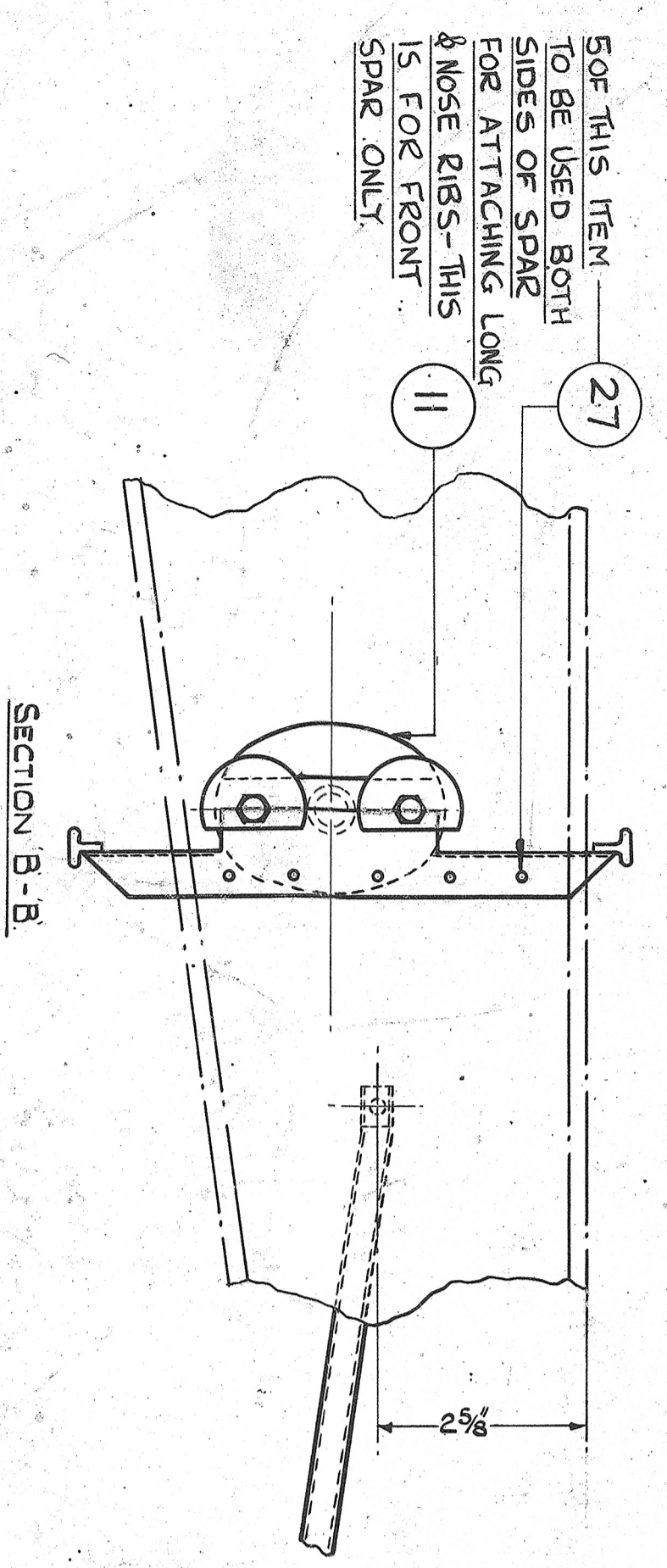
ALL DIMENSIONS UNLESS OTHERWISE SPECIFIED
 3. DIMENSIONS ON FRACTIONAL SHEETS ARE ON 1/8" SCALE UNLESS OTHERWISE SPECIFIED
 4. DIMENSIONS ON WHOLE SHEETS ARE ON 1/4" SCALE UNLESS OTHERWISE SPECIFIED
 5. DIMENSIONS ON WHOLE SHEETS ARE ON 1/4" SCALE UNLESS OTHERWISE SPECIFIED
 6. DIMENSIONS ON WHOLE SHEETS ARE ON 1/4" SCALE UNLESS OTHERWISE SPECIFIED
 7. DIMENSIONS ON WHOLE SHEETS ARE ON 1/4" SCALE UNLESS OTHERWISE SPECIFIED
 8. DIMENSIONS ON WHOLE SHEETS ARE ON 1/4" SCALE UNLESS OTHERWISE SPECIFIED
 9. DIMENSIONS ON WHOLE SHEETS ARE ON 1/4" SCALE UNLESS OTHERWISE SPECIFIED
 10. DIMENSIONS ON WHOLE SHEETS ARE ON 1/4" SCALE UNLESS OTHERWISE SPECIFIED
 11. DIMENSIONS ON WHOLE SHEETS ARE ON 1/4" SCALE UNLESS OTHERWISE SPECIFIED
 12. DIMENSIONS ON WHOLE SHEETS ARE ON 1/4" SCALE UNLESS OTHERWISE SPECIFIED
 13. DIMENSIONS ON WHOLE SHEETS ARE ON 1/4" SCALE UNLESS OTHERWISE SPECIFIED
 14. DIMENSIONS ON WHOLE SHEETS ARE ON 1/4" SCALE UNLESS OTHERWISE SPECIFIED
 15. DIMENSIONS ON WHOLE SHEETS ARE ON 1/4" SCALE UNLESS OTHERWISE SPECIFIED
 16. DIMENSIONS ON WHOLE SHEETS ARE ON 1/4" SCALE UNLESS OTHERWISE SPECIFIED
 17. DIMENSIONS ON WHOLE SHEETS ARE ON 1/4" SCALE UNLESS OTHERWISE SPECIFIED
 18. DIMENSIONS ON WHOLE SHEETS ARE ON 1/4" SCALE UNLESS OTHERWISE SPECIFIED
 19. DIMENSIONS ON WHOLE SHEETS ARE ON 1/4" SCALE UNLESS OTHERWISE SPECIFIED
 20. DIMENSIONS ON WHOLE SHEETS ARE ON 1/4" SCALE UNLESS OTHERWISE SPECIFIED
 21. DIMENSIONS ON WHOLE SHEETS ARE ON 1/4" SCALE UNLESS OTHERWISE SPECIFIED
 22. DIMENSIONS ON WHOLE SHEETS ARE ON 1/4" SCALE UNLESS OTHERWISE SPECIFIED
 23. DIMENSIONS ON WHOLE SHEETS ARE ON 1/4" SCALE UNLESS OTHERWISE SPECIFIED
 24. DIMENSIONS ON WHOLE SHEETS ARE ON 1/4" SCALE UNLESS OTHERWISE SPECIFIED
 25. DIMENSIONS ON WHOLE SHEETS ARE ON 1/4" SCALE UNLESS OTHERWISE SPECIFIED
 26. DIMENSIONS ON WHOLE SHEETS ARE ON 1/4" SCALE UNLESS OTHERWISE SPECIFIED
 27. DIMENSIONS ON WHOLE SHEETS ARE ON 1/4" SCALE UNLESS OTHERWISE SPECIFIED
 28. DIMENSIONS ON WHOLE SHEETS ARE ON 1/4" SCALE UNLESS OTHERWISE SPECIFIED
 29. DIMENSIONS ON WHOLE SHEETS ARE ON 1/4" SCALE UNLESS OTHERWISE SPECIFIED
 30. DIMENSIONS ON WHOLE SHEETS ARE ON 1/4" SCALE UNLESS OTHERWISE SPECIFIED
 31. DIMENSIONS ON WHOLE SHEETS ARE ON 1/4" SCALE UNLESS OTHERWISE SPECIFIED
 32. DIMENSIONS ON WHOLE SHEETS ARE ON 1/4" SCALE UNLESS OTHERWISE SPECIFIED
 33. DIMENSIONS ON WHOLE SHEETS ARE ON 1/4" SCALE UNLESS OTHERWISE SPECIFIED



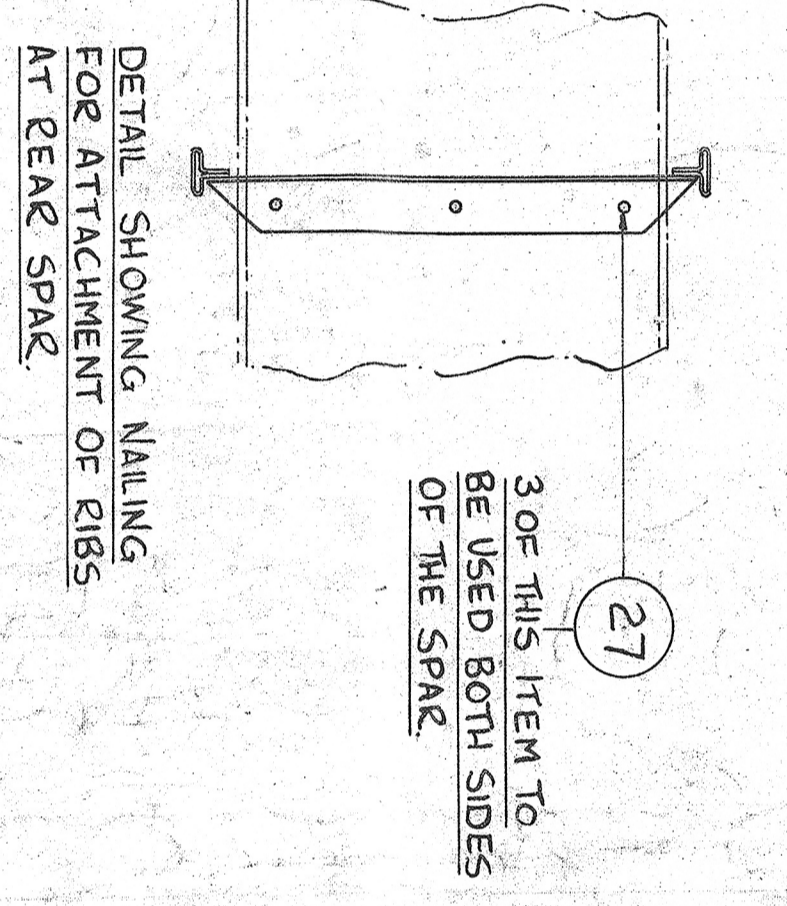
THESE ITEMS ARE ALTERNATIVES
 FIT AS REQUIRED



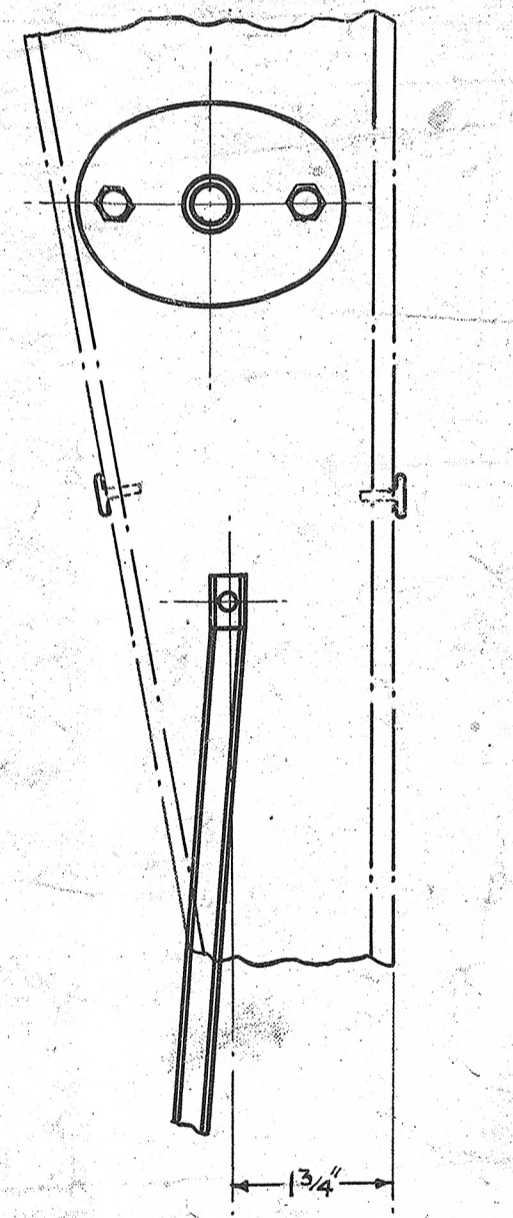
VIEW IN DIRECTION OF ARROW A



SECTION B-B



DETAIL SHOWING MILLING FOR ATTACHMENT OF RIBS AT REAR SPAR



SECTION C-C

7	1/2"	2943	
8	3/8"	2513	
9	1/2"	1927	2A
10	1/2"	1927	3
11	1/2"	1927	3
12	1/2"	1927	3
13	1/2"	1927	3
14	1/2"	1927	3
15	1/2"	1927	3
16	1/2"	1927	3
17	1/2"	1927	3
18	1/2"	1927	3
19	1/2"	1927	3
20	1/2"	1927	3
21	1/2"	1927	3
22	1/2"	1927	3
23	1/2"	1927	3
24	1/2"	1927	3
25	1/2"	1927	3
26	1/2"	1927	3
27	1/2"	1927	3
28	1/2"	1927	3
29	1/2"	1927	3
30	1/2"	1927	3
31	1/2"	1927	3
32	1/2"	1927	3
33	1/2"	1927	3

USE THIS ITEM TO BE USED BOTH SIDES OF SPAR FOR ATTACHING LONG & WIDE RIBS - THIS IS FOR FRONT SPAR ONLY

USE THIS ITEM TO BE USED BOTH SIDES OF THE SPAR

This drawing is intended to be used in conjunction with the original drawings for the aircraft. It is not to be used as a substitute for the original drawings. It is not to be used for the construction of the aircraft. It is not to be used for the repair of the aircraft. It is not to be used for the modification of the aircraft. It is not to be used for the alteration of the aircraft. It is not to be used for the improvement of the aircraft. It is not to be used for the enhancement of the aircraft. It is not to be used for the optimization of the aircraft. It is not to be used for the maximization of the aircraft. It is not to be used for the minimization of the aircraft. It is not to be used for the reduction of the aircraft. It is not to be used for the elimination of the aircraft. It is not to be used for the destruction of the aircraft. It is not to be used for the annihilation of the aircraft. It is not to be used for the extermination of the aircraft. It is not to be used for the eradication of the aircraft. It is not to be used for the removal of the aircraft. It is not to be used for the deletion of the aircraft. It is not to be used for the obliteration of the aircraft. It is not to be used for the annihilation of the aircraft. It is not to be used for the extermination of the aircraft. It is not to be used for the eradication of the aircraft. It is not to be used for the removal of the aircraft. It is not to be used for the deletion of the aircraft. It is not to be used for the obliteration of the aircraft.



PART NO. ECL 80242/L. DRG. NO. ECH 44/L. AS DRAWN. PART NO. ECL 80242/L. DRG. NO. ECH 44/L. DRG. PART NO. ECL 80242/L. DRG. NO. ECH 44/L. DRG.

ITEM NO.	DESCRIPTION	QTY	UNIT	REMARKS
33	E8082 SHIM	1	EA	AS REQD
32	WING TIP BOW TUBE	1	EA	AS REQD
31	BRASS FALSE REAR WING TIP	1	EA	AS REQD
30	E8081 SHIM	1	EA	AS REQD
29	E8080 SHIM	1	EA	AS REQD
28	E8079 SHIM	1	EA	AS REQD
27	E8078 SHIM	1	EA	AS REQD
26	E8077 SHIM	1	EA	AS REQD
25	E8076 SHIM	1	EA	AS REQD
24	E8075 SHIM	1	EA	AS REQD
23	E8074 SHIM	1	EA	AS REQD
22	E8073 SHIM	1	EA	AS REQD
21	E8072 SHIM	1	EA	AS REQD
20	E8071 SHIM	1	EA	AS REQD
19	E8070 SHIM	1	EA	AS REQD
18	E8069 SHIM	1	EA	AS REQD
17	E8068 SHIM	1	EA	AS REQD
16	E8067 SHIM	1	EA	AS REQD
15	E8066 SHIM	1	EA	AS REQD
14	E8065 SHIM	1	EA	AS REQD
13	E8064 SHIM	1	EA	AS REQD
12	E8063 SHIM	1	EA	AS REQD
11	E8062 SHIM	1	EA	AS REQD
10	E8061 SHIM	1	EA	AS REQD
9	E8060 SHIM	1	EA	AS REQD
8	E8059 SHIM	1	EA	AS REQD
7	E8058 SHIM	1	EA	AS REQD
6	E8057 SHIM	1	EA	AS REQD
5	E8056 SHIM	1	EA	AS REQD
4	E8055 SHIM	1	EA	AS REQD
3	E8054 SHIM	1	EA	AS REQD
2	E8053 SHIM	1	EA	AS REQD
1	E8052 SHIM	1	EA	AS REQD

TAYLORCRAFT AIRPLANES (ENGLAND) LTD. ENGLAND
 SCALE 1/8"
 PROTECTIVE COATING ECH 35 ECH 43
 DRAWN BY G.H. 44/L