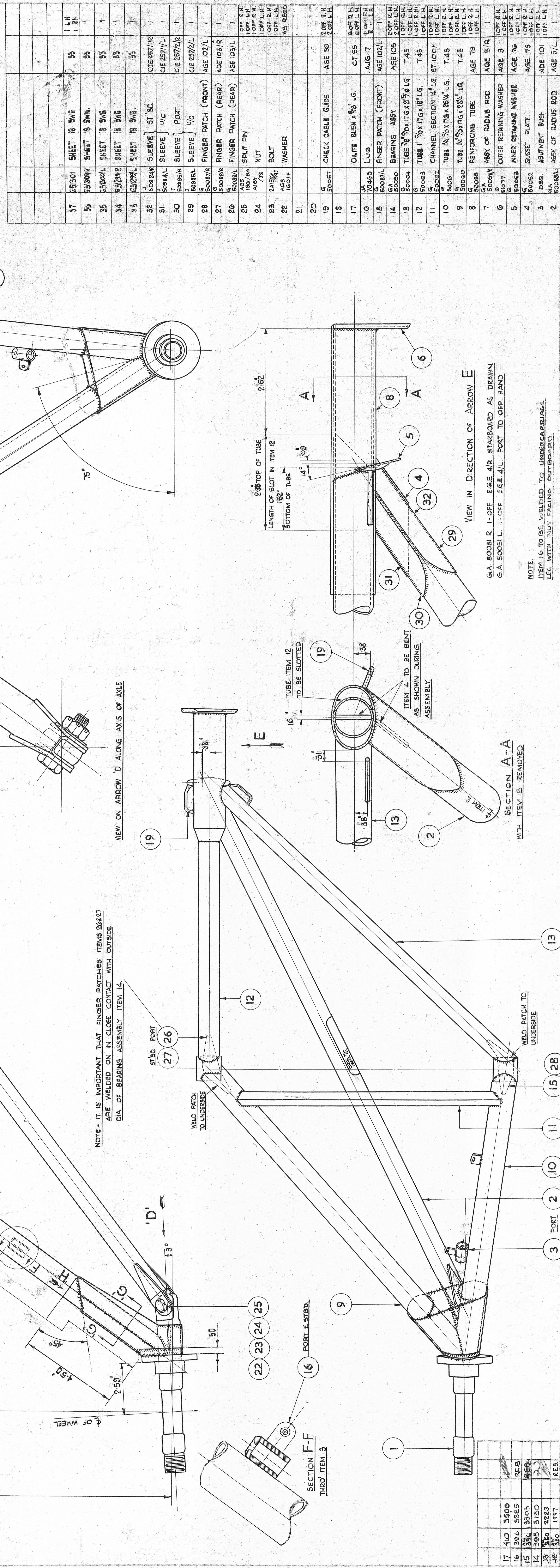
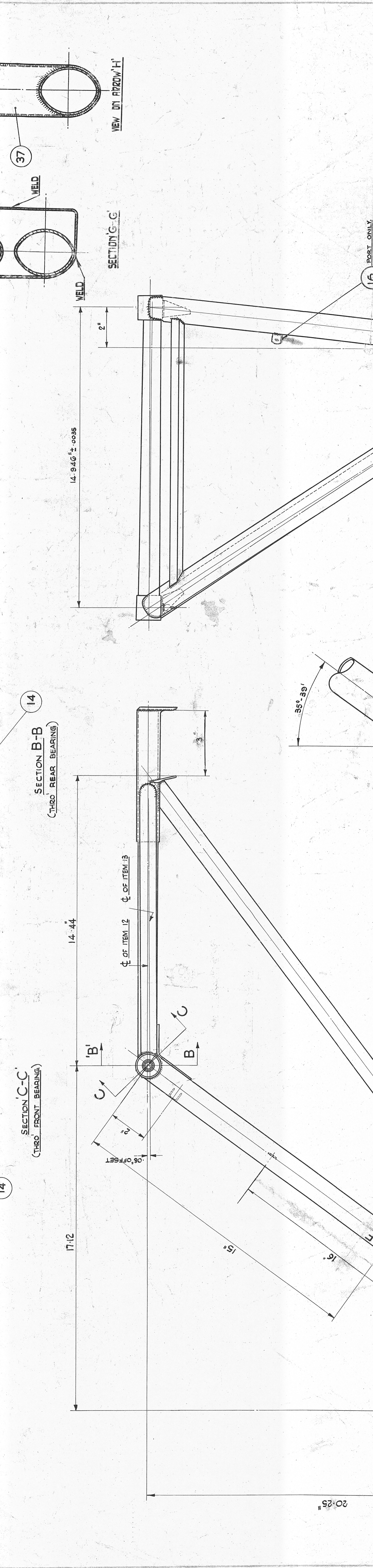
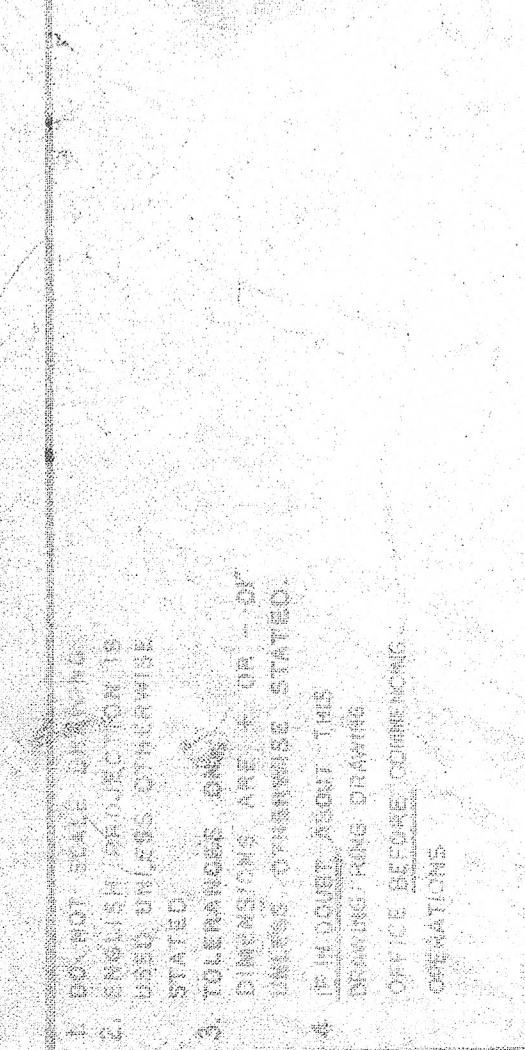
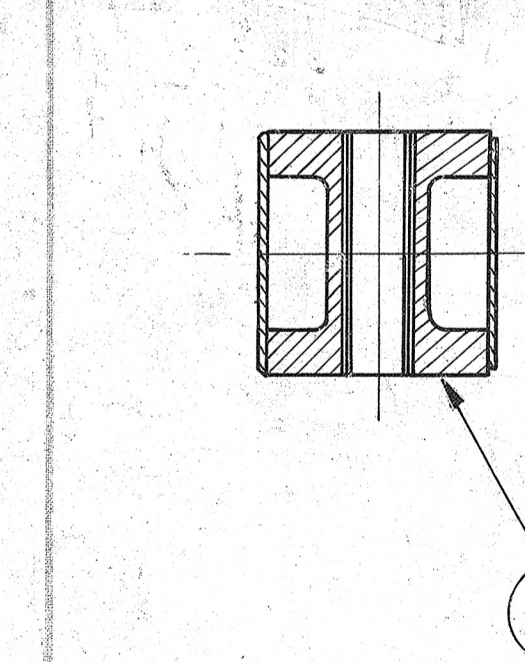


This drawing is provided to subcontractors for their use in manufacturing and assembly. It is not to be used for any other purpose. The responsibility for correct application to the aircraft is the responsibility of the subcontractor. The subcontractor shall be responsible for the correct interpretation of this drawing. The subcontractor shall be responsible for the correct interpretation of this drawing. The subcontractor shall be responsible for the correct interpretation of this drawing.

1. DIMENSIONS ARE IN INCHES UNLESS OTHERWISE SPECIFIED.
2. DIMENSIONS ARE IN MILLIMETERS UNLESS OTHERWISE SPECIFIED.
3. DIMENSIONS ARE IN FEET UNLESS OTHERWISE SPECIFIED.
4. DIMENSIONS ARE IN METERS UNLESS OTHERWISE SPECIFIED.



ITEM NO.	QTY.	DESCRIPTION	SCALE	HALF & FULL SIZE	DATE	BY	CHKD.	APP'D.	REVISION
17	410	3500	REC-B						1
18	35	3500	REC-B						2
19	35	3500	REC-B						3
20	35	3500	REC-B						4
21	35	3500	REC-B						5
22	35	3500	REC-B						6
23	35	3500	REC-B						7
24	35	3500	REC-B						8
25	35	3500	REC-B						9
26	35	3500	REC-B						10
27	35	3500	REC-B						11
28	35	3500	REC-B						12
29	35	3500	REC-B						13
30	35	3500	REC-B						14
31	35	3500	REC-B						15
32	35	3500	REC-B						16
33	35	3500	REC-B						17
34	35	3500	REC-B						18
35	35	3500	REC-B						19
36	35	3500	REC-B						20
37	35	3500	REC-B						21

NOTE: ITEM 16 TO BE WELDED TO UNDERCARRIAGE LEG WITH INLET FACING OUTBOARD.

G.A. 50051 R L-OFF EGE 41R STARBOARD AS DRAWN
G.A. 50051 L L-OFF EGE 41L PORT TO OPP HAND

SCALE: HALF & FULL SIZE

TYPE: ASSY OF UNDERCARRIAGE FRAME

TAIYORCART AIRPLANES (ENGLAND) LTD. LEICESTER.

DRAWN BY: I.C. TAYLOR
CHECKED BY: F.A. SHENTON
APPROVED BY: G.A. 50051