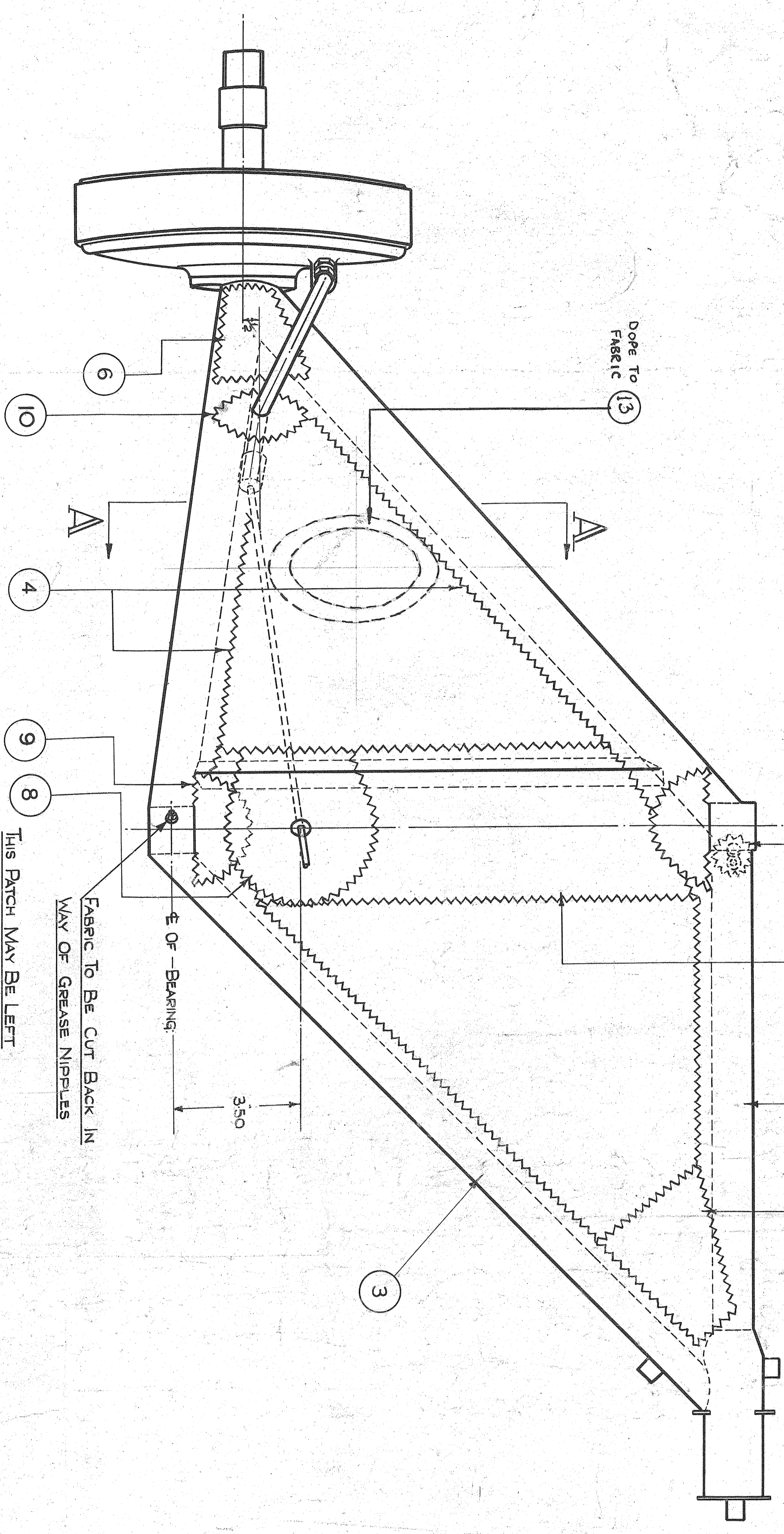
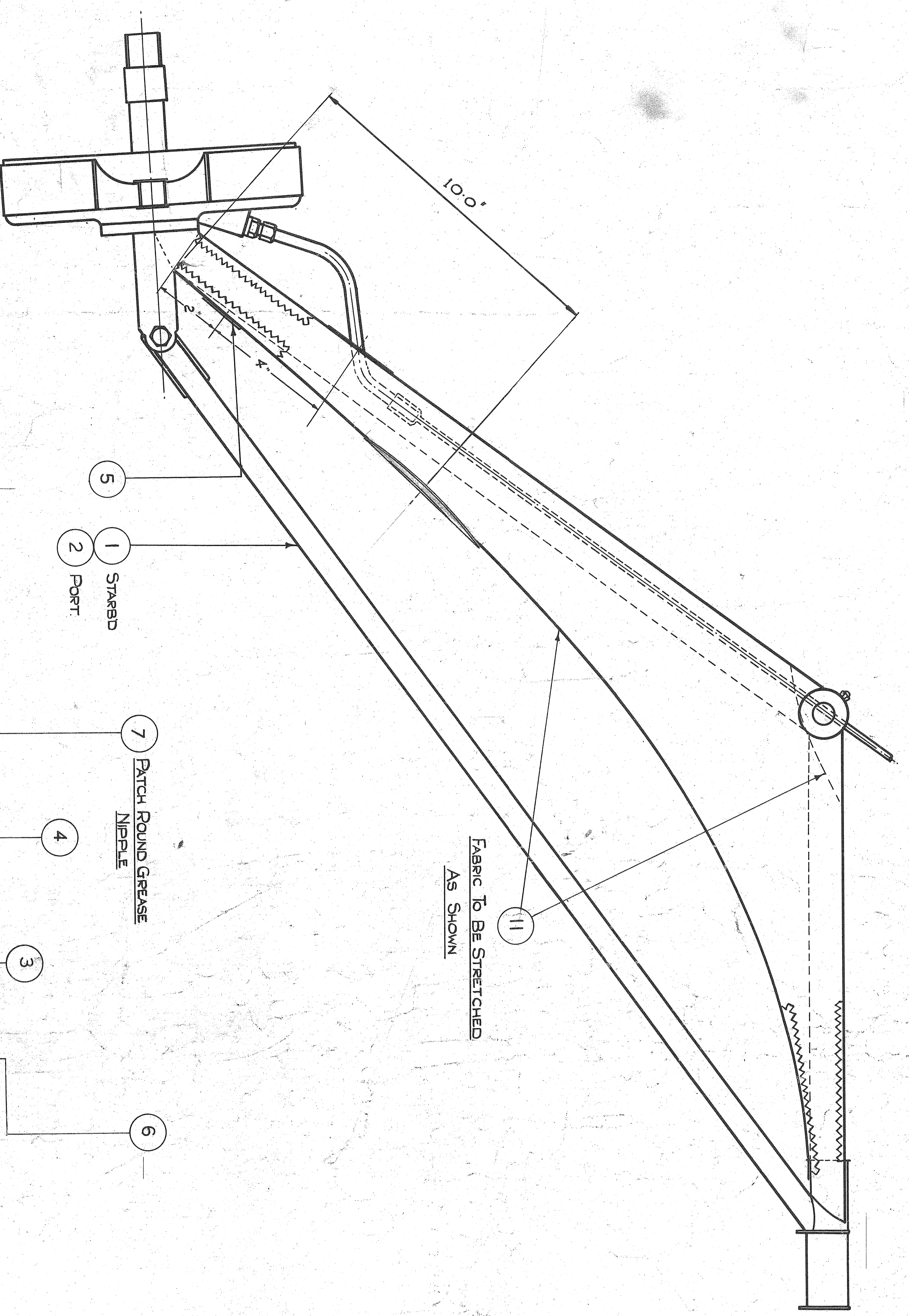
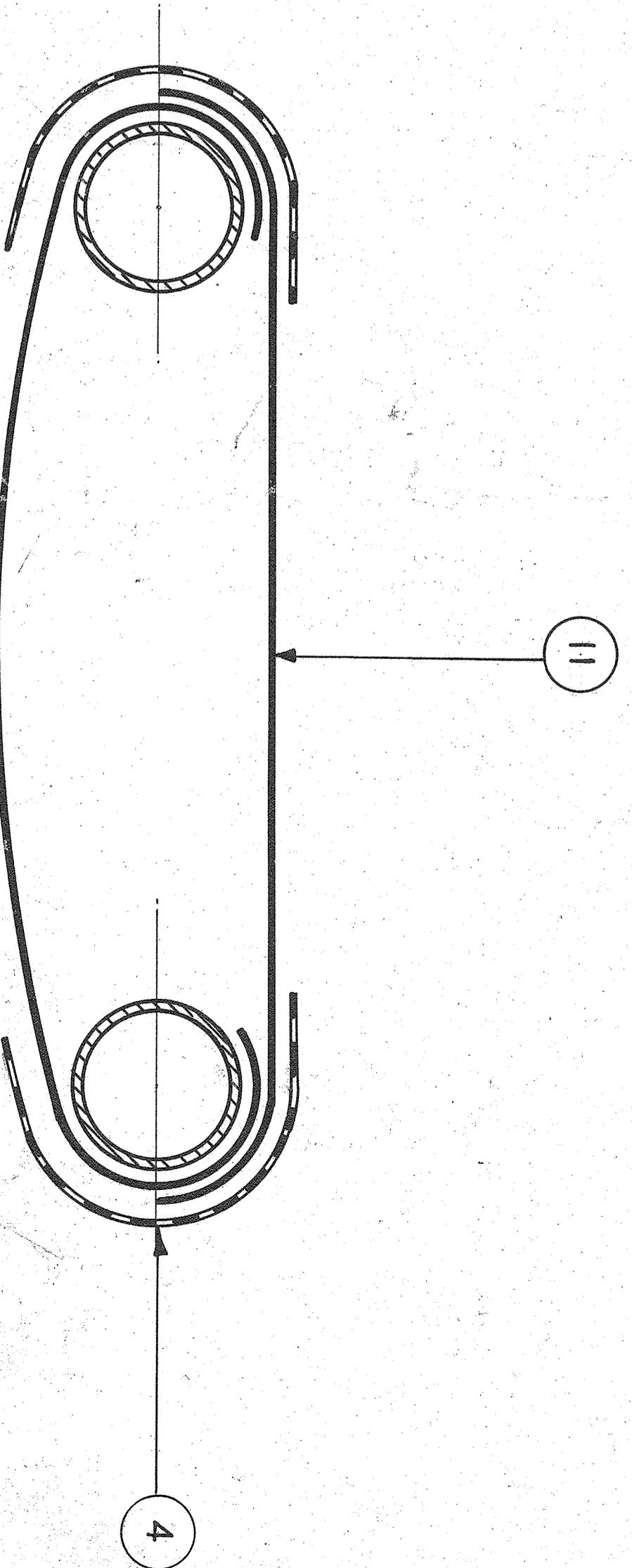


1. DO NOT SCALE DRAWING
2. ENGLISH PROJECTION IS USED
3. TOLERANCES ON FRACTIONAL DIMENSIONS UNLESS OTHERWISE STATED
4. LEAD DOUBLE ABOUT THIS DRAWING, RING DRAWING OFFICE BEGINS COMMENCING OPERATIONS.



Fabric to be cut back in way of grease nipples

This patch may be left loose until Y.C. is offered up to fuselage and then doped down in position lining up with cable guide tube on fuselage.



SECTION ON A-A
TWICE FULL SIZE

General Notes
 Sections are not drawn to scale and are diagrammatic only.
 Fabric to spec. (gross) is shown thus —
 Separated tape to spec. DTD spec. shown - - -
 The width of tape used at each section is covered by the item no.
 Fabric separated tape and all the various patches are to be well doped to Y.C. structure and/or together with clear dope to Sobac D.S.I process specification.
 Items marked thus * are alternative fittings.

DA 50074/R 1 OFF EDE, 17/R AS DRAWN STARBOARD.
 DA 50074/L 1 OFF EDE, 17/L TO OPR HAND PORT.

7	237	1500	3	1/4"	
8	183	1250	3	3/4"	
9	183	1250	3	3/4"	
10	183	1250	3	3/4"	
11	183	1250	3	3/4"	
12	183	1250	3	3/4"	
13	183	1250	3	3/4"	
14	183	1250	3	3/4"	
15	183	1250	3	3/4"	
16	183	1250	3	3/4"	
17	183	1250	3	3/4"	
18	183	1250	3	3/4"	
19	183	1250	3	3/4"	
20	183	1250	3	3/4"	
21	183	1250	3	3/4"	
22	183	1250	3	3/4"	
23	183	1250	3	3/4"	
24	183	1250	3	3/4"	
25	183	1250	3	3/4"	
26	183	1250	3	3/4"	
27	183	1250	3	3/4"	
28	183	1250	3	3/4"	
29	183	1250	3	3/4"	
30	183	1250	3	3/4"	

PROTECTIVE TREATMENT	ARMY NO.	SCALE	1/2
TAYLORCRAFT AIRCRAFTS (ENGLAND) LTD. LEICESTER.			
TITLE: FABRIC COVERING Y.C.			
DA 50074/R 1 OFF EDE, 17/R AS DRAWN STARBOARD.	DA 50074/L 1 OFF EDE, 17/L TO OPR HAND PORT.	DA 50074/R 1 OFF EDE, 17/R AS DRAWN STARBOARD.	DA 50074/L 1 OFF EDE, 17/L TO OPR HAND PORT.

NO.	DESCRIPTION	QTY	UNIT	REMARKS
1	INSPECTION HOLE FRAME	10H	110	1" x 1/4" OFF R.H.
2	DRAIN EYELET	10E	110	1" x 1/4" OFF R.H.
3	FABRIC	10F	110	1" x 1/4" OFF R.H.
4	PATCH	10P	110	1" x 1/4" OFF R.H.
5	PATCH	10P	110	1" x 1/4" OFF R.H.
6	PATCH	10P	110	1" x 1/4" OFF R.H.
7	PATCH	10P	110	1" x 1/4" OFF R.H.
8	PATCH	10P	110	1" x 1/4" OFF R.H.
9	PATCH	10P	110	1" x 1/4" OFF R.H.
10	PATCH	10P	110	1" x 1/4" OFF R.H.
11	PATCH	10P	110	1" x 1/4" OFF R.H.
12	PATCH	10P	110	1" x 1/4" OFF R.H.
13	PATCH	10P	110	1" x 1/4" OFF R.H.
14	PATCH	10P	110	1" x 1/4" OFF R.H.
15	PATCH	10P	110	1" x 1/4" OFF R.H.
16	PATCH	10P	110	1" x 1/4" OFF R.H.
17	PATCH	10P	110	1" x 1/4" OFF R.H.
18	PATCH	10P	110	1" x 1/4" OFF R.H.
19	PATCH	10P	110	1" x 1/4" OFF R.H.
20	PATCH	10P	110	1" x 1/4" OFF R.H.
21	PATCH	10P	110	1" x 1/4" OFF R.H.
22	PATCH	10P	110	1" x 1/4" OFF R.H.
23	PATCH	10P	110	1" x 1/4" OFF R.H.
24	PATCH	10P	110	1" x 1/4" OFF R.H.
25	PATCH	10P	110	1" x 1/4" OFF R.H.
26	PATCH	10P	110	1" x 1/4" OFF R.H.
27	PATCH	10P	110	1" x 1/4" OFF R.H.
28	PATCH	10P	110	1" x 1/4" OFF R.H.
29	PATCH	10P	110	1" x 1/4" OFF R.H.
30	PATCH	10P	110	1" x 1/4" OFF R.H.