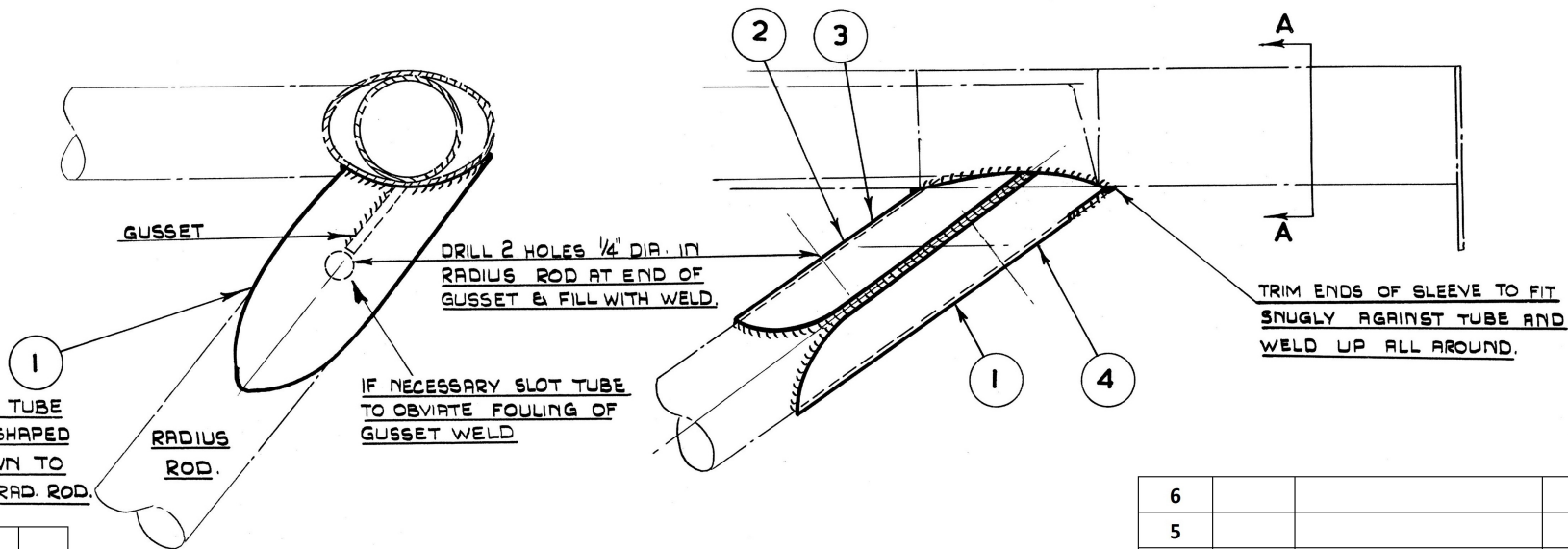
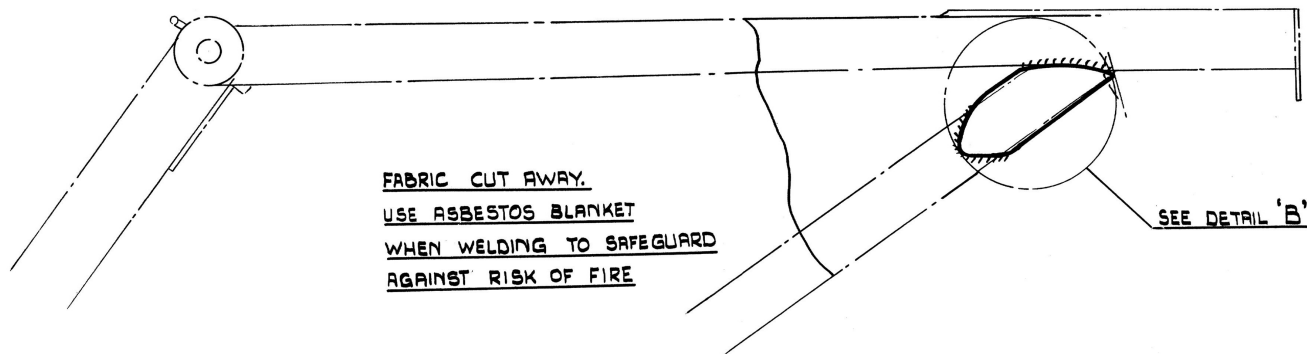


1. DO NOT SCALE DRAWING
2. ENGLISH PROJECTION IS USED UNLESS OTHERWISE STATED
3. TOLERANCES ON DIMENSIONS ARE + OR - 0.10" UNLESS OTHERWISE STATED
4. IF IN DOUBT ABOUT THIS DRAWING RING DRAWING OFFICE BEFORE COMMENCING OPERATIONS



SECTION A-A

DETAIL B

6				
5				
4	J 50984/R	SLEEVE	CJE 257/1/R	1
3	J 50984/L	SLEEVE	CJE 257/1/L	1
2	J 50985/R	SLEEVE	CJE 257/2/R	1
1	J 50985/L	SLEEVE	CJE 257/2/L	1
ITEM NO.	PART NO.	DESCRIPTION	MATERIAL OR DRG. NO.	NO. OFF

PROTECTIVE TREATMENT	ASSY. NO.	EJ 22				SCALE: NTS	DRAWN	CHECKED	TRACED
	EJ 13	EJ 30							
AUSTER AIRCRAFT LTD. LEICESTER							PART NO. SEE ABOVE		
TITLE: UNDERCARRIAGE STRENGTHENING (MOD 1828 RETROSPECTIVE)							DRG. NO. CSK 2157		

B						DIGITISED						
A						CIVIL AMD.	3233					
ISSUE	MOD.	INTERNAL	INTERNAL	APP	RTO	NO.	MOD. NO.	CLASS				
TYPE: AUSTER												