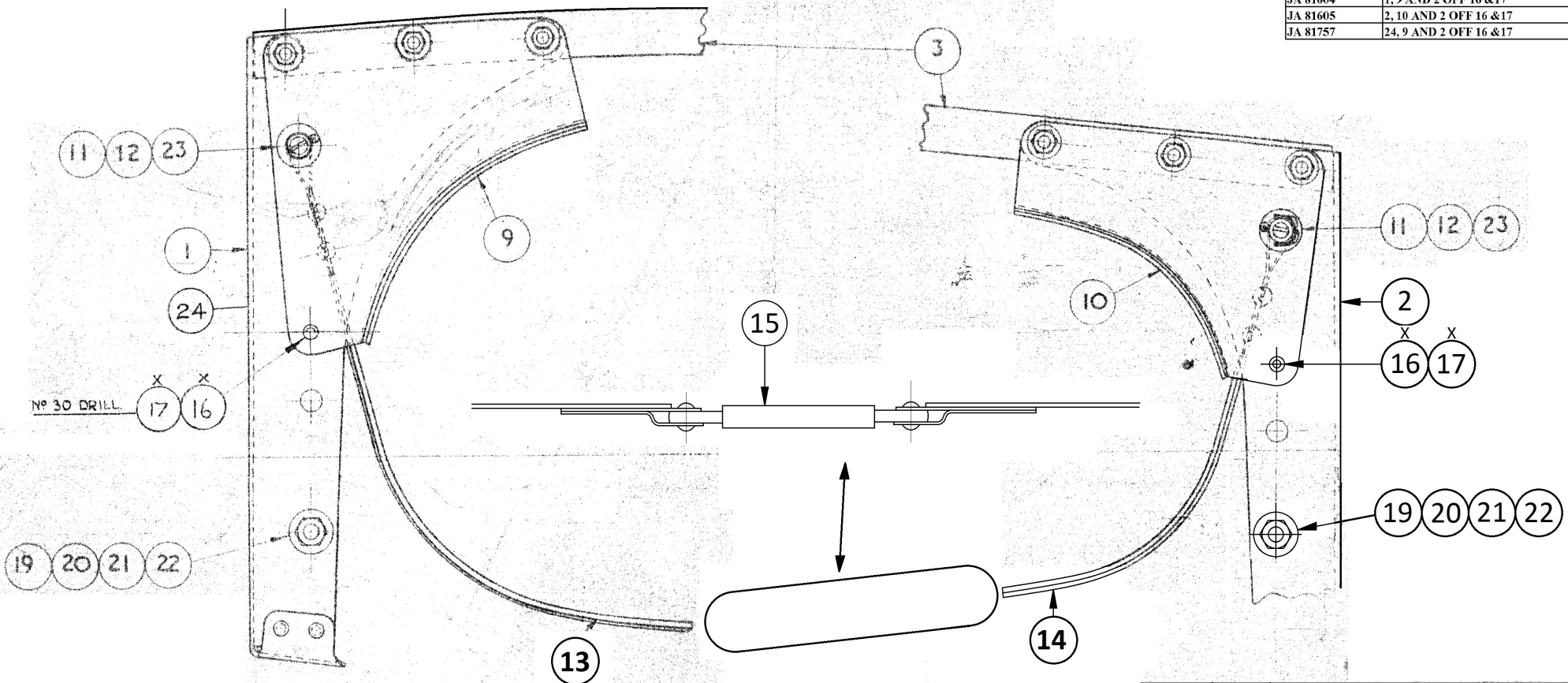
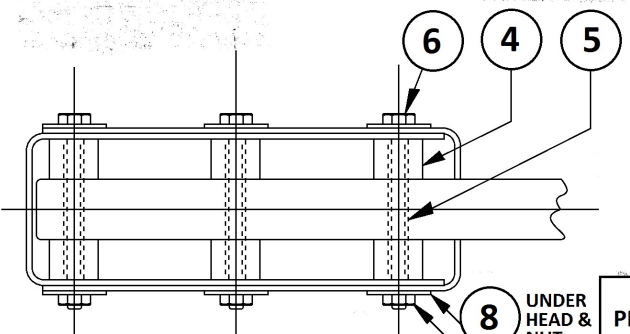


PART NO.	ALLOTTED TO AN ASSEMBLY OF ITEMS
JA 81604	1, 9 AND 2 OFF 16 & 17
JA 81605	2, 10 AND 2 OFF 16 & 17
JA 81757	24, 9 AND 2 OFF 16 & 17



No 30 DRILL. X X  
17 16



8 UNDER HEAD & NUT  
7

PART NO.	COMPRISING ITEMS
JA 81149	ALL EX. 24
JA 81567	1 TO 10, 16 & 17
JL 81577	11 TO 15 & 19 TO 23

24	JA81742	FUEL TANK SUPPORT BRACKET	AJH 470	1
23	SP15/E	WASHER		4
22	A27/CT	NUT		2
21	SP15/C	WASHER		2
20	K80557	SPACER	AKH 108	2
19	A25/11C	BOLT		2
18				
17	A62227/404	RIVET		4
16	AS157/404	RIVET		4
15	AGS490/B	TURNBUCKLE BARREL		1
14	JA81142	TANK STRAP	AKH 148	1
13	JA81143	TANK STRAP	AJH 149	1
12	SP9/C6	SPLIT PIN		4
11	K80758	TUBE	AKH 252	2
10	JA81148	BRACKET (REAR)	AJH 153	1
9	JA81147	BRACKET (FRONT)	AJH 152	1
8	SP15/B	WASHER		12
7	A27/BP	NUT		6
6	A25/14B	BOLT		6
5	K80449	DISTANCE TUBE	AKH 34	6
4	K80448	DISTANCE PIECE	AKH 33	12
3	K80453	TUBE INTERMEDIATE RIB	AKH 37	1
2	KA80439	FUEL TANK SUPPORT BRACKET (REAR)	CKH 26	1
1	KA80414	FUEL TANK SUPPORT BRACKET	CKH 9	1

X ALTERNATIVES

PROTECTIVE TREATMENT

ASSEMBLY NO. FJH123 FJH 326 DJQ701

ASK 2317 - 2324

SCALE 1/1

TAYLOR CRAFT AEROPLANES (ENGLAND) LTD. LEICESTER

INTERMEDIATE DIB (TANK BAY)

ITEM NO. DESCRIPTION

SCALE 1/1

DATE

BY

CHECKED

APPROVED

PARTY NO. SEE TABLE

CH 154

E	CIVIL AMEND	3563			
D	CIVIL AMEND	2945			
C	CIVIL AMEND	2561			
B	CIVIL AMEND	2049			
A	CIVIL MOD	1751			
MOD	INTERNAL				
CLASS	APP				
REQ					