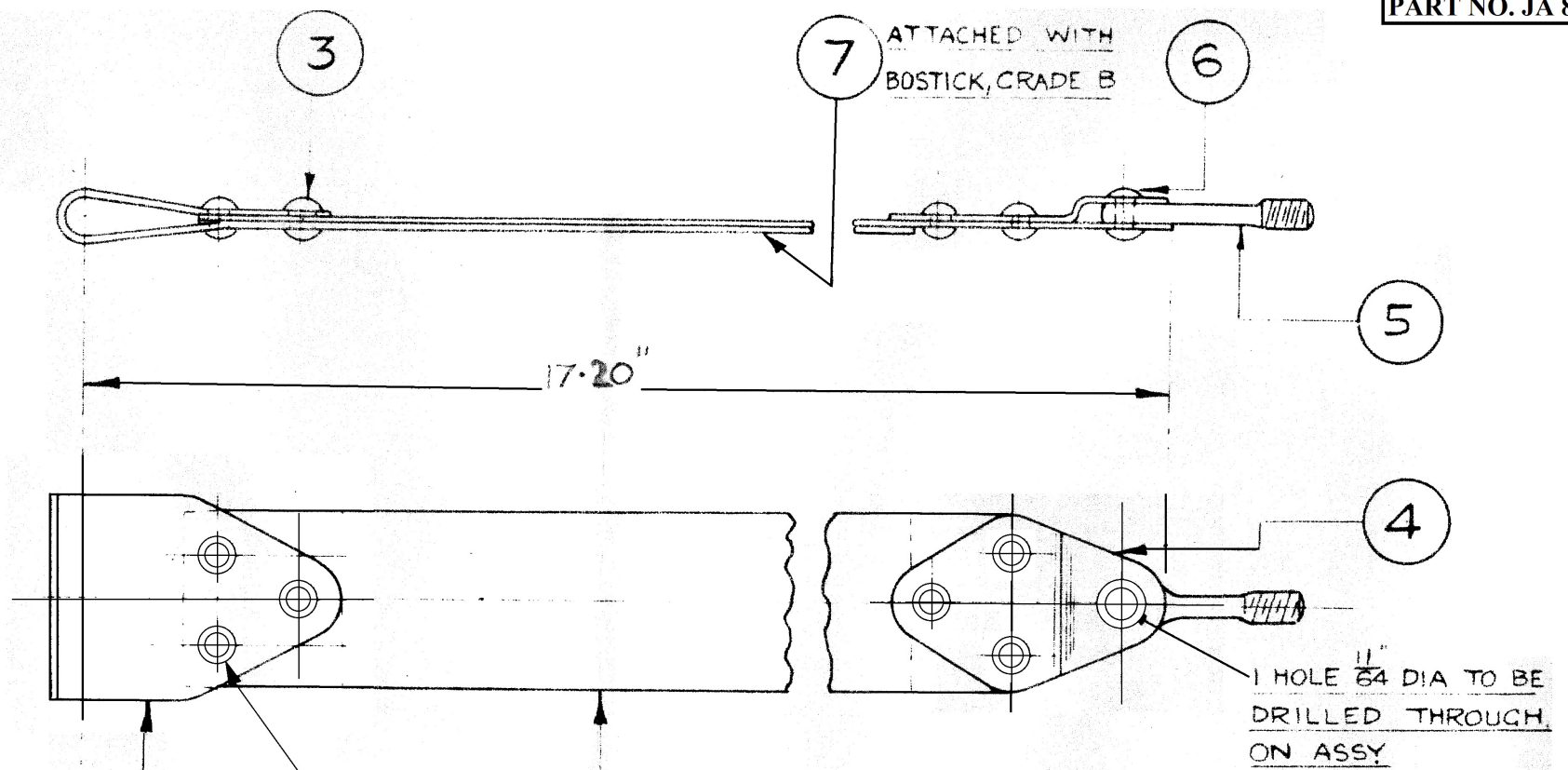


1. DO NOT SCALE DRAWING
2. ENGLISH PROJECTION IS USED UNLESS OTHERWISE STATED
3. TOLERANCES ON DIMENSIONS ARE + OR - 0.03" UNLESS OTHERWISE STATED



FB1144	7	STRIP 1" X 14.4" X $\frac{1}{16}$ " THICK	FELT	1
AS 455/505 ACS 490/E	6	RIVET	-	1
K80435	5	TURNBUCKLE EYE	-	1
	4	STRAP BRACKET	AKH 23	1
	3	SEMI TUBULAR STEEL RIVET $\frac{1}{8}$ - $\frac{3}{16}$ LONG	SUPPLIED BY BIC RIVET	6
K80420	2	TANK STRAP END	AKH 14	1
	1	STRAP	AJH 147	1

D	CIVIL AMEND	1964			
E	CIVIL MOD.	1751			
B		17.20" WAS 17.10"			
A					
ISSUE	MOD. No.	INTERNAL MOD. NO.	INTERNAL CLASS	APP.	R.T.O.

PROTECTIVE TREATMENT	ASSY. Nos.	DJC667	FB1144	1	STRAP	AJH 147	1
	CJH 154	CJH 510	PART NO.	ITEM NO.	DESCRIPTION	MATERIAL OR DRG. No.	No. OF
SCALE - FULL SIZE			DRAWN - WJK	CHECKED -	TRACED -	TRACING - CHECKED	