

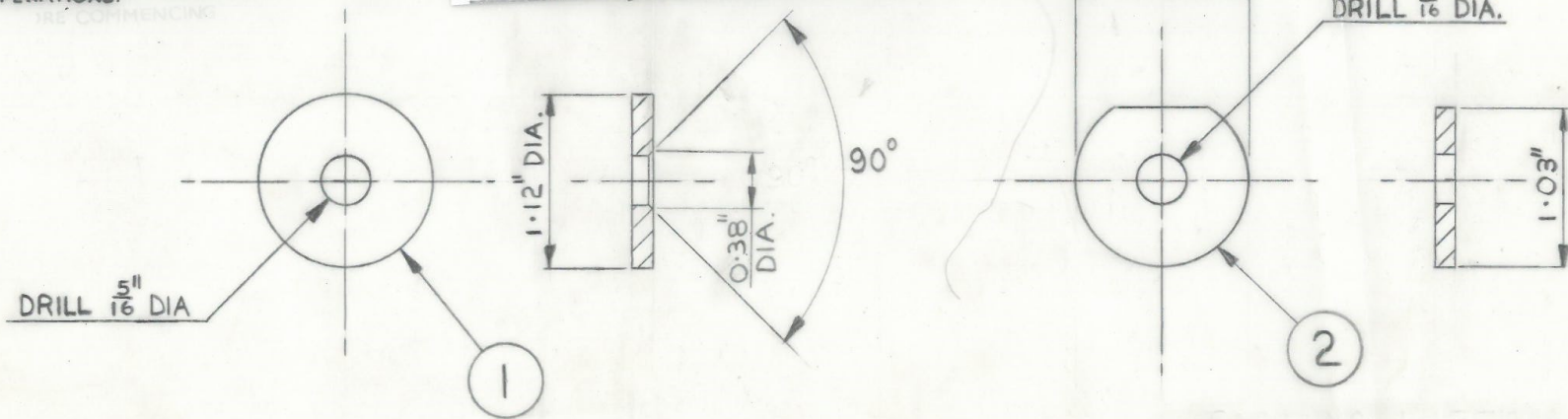
- 1 DO NOT SCALE DRAWING
2. ENGLISH PROJECTION IS USED UNLESS OTHERWISE STATED.
3. TOLERANCES ON DIMENSIONS ARE + OR - .01 UNLESS OTHERWISE STATED
- 4 IF IN DOUBT ABOUT THIS DRAWING, RING DRAWING OFFICE BEFORE COMMENCING OPERATIONS.

This drawing is provided in accordance with original Auster/Beagle applicability for use with the initial enquirers' aircraft ONLY.

CORRECT APPLICATION TO THE AIRCRAFT IS THE RESPONSIBILITY OF THE ENQUIRER AND HIS ENGINEER AND NOT OF "AUSTER SPARES" OR LEICESTERSHIRE MUSEUMS.

Its supply does not confer any right to produce and trade in any of the components. Enquiries for these should be sent to:-

"Auster Spares", Carr Farm, Thorney, Newark, Notts., NG23 7DO, England  
Tel: 0162 2778617



A	CIVIL MOD	4187				
ISSUE	MOD. No.	INTERNAL MOD. No.	INTERNAL CLASS	App.	R.T.O.	

PROTECTIVE TREATMENT	ASSY. Nos.	2	J-18781	SHEET	10 S.W.G.	S.510	/
B+K	EJA 3199	1	J-18780	SHEET	10 S.W.G.	S.510	/
SCALE:- FULL SIZE.	ITEM No.	PART No.		DESCRIPTION		MATERIAL OR DRG. NO.	No. Off
	DRAWN:- 13-1-67 J. WHARTON			CHECKED: 22.2.67 M. G. RUSSELL		TRACED:-	TRACING CHECKED

BEAGLE-AUSTER AIRCRAFT LTD. REARSBY, LEICESTER.

TYPE:- MK. 5. TITLE:- WASHERS.

STRESS APPROVAL  
DESIGN APPROVAL  
APPROVED R.T.O.  
PART No. SEE DRG  
DRG. No. AJA 3194