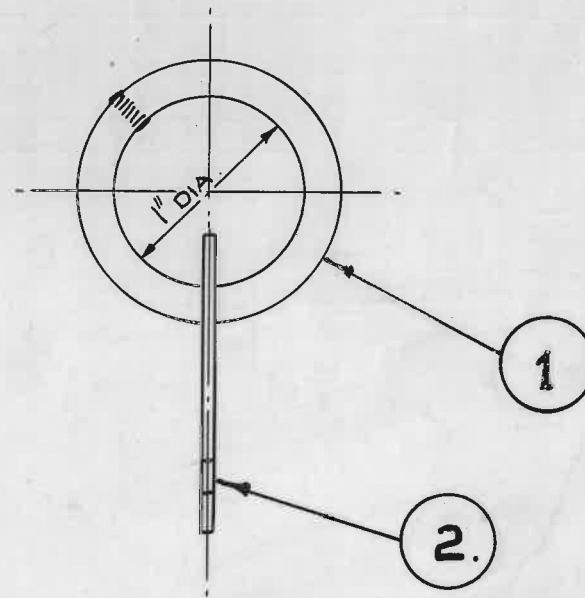
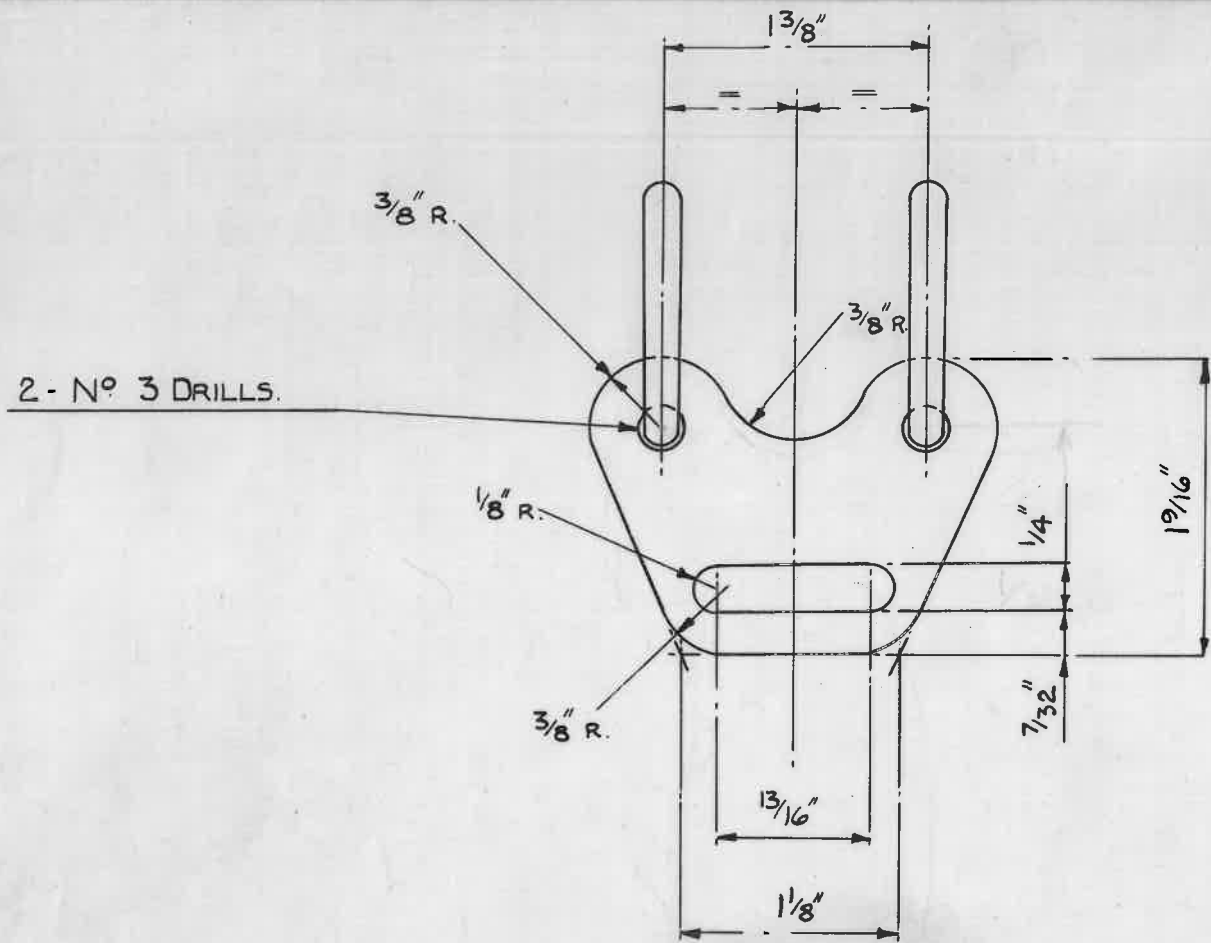


DRG. No. - A.D.J. 6.
PART No. - D.A. 7086.



4	AM91	736	4	F.L.C.	
3	MOD. 74.		3.	J.H.P.	
2.	AM. 52.	D. 290	2.A.	J.H.P.	
1					
ISSUE	MOD. No.	INTERNAL MOD. No.	CLASS	APP.	R.T.O.

PROTECTIVE
TREATMENT
CADMIUM.

ASSY. Nos.			
E.D.J. 5.			
SCALE :- FULL SIZE.			

D9103	2.	BAR: 3/16" DIA	S.21.	2.
D9102	1.	SHEET: 16 SWG	D.T.D. 124.A	1.
PART No	ITEM No.	DESCRIPTION.	MATERIAL OR DRG. No.	No. OFF

DRAWN BY: O.W. CATLING 10.11.42. CHECKED BY: F.E. PAGE 10.11.42. TRACED BY: M. LANDER 17.9.43.

TAYLORCRAFT AEROPLANES (ENGLAND) LTD. LEICESTER.

TYPE :- "AUSTER"

TITLE :- RUDDER PEDAL.
LOCKING RING ASSEMBLY.

STRESS H.A.C. APPROVAL 26.11.42.
DESIGN S.H.B. APPROVAL 26.11.42.
APPROVED R.T.O.
PART No. D.A. 7086.
DRG. No. A.D.J. 6.

TRACING CHECKED BY: ~ *W. Catling*